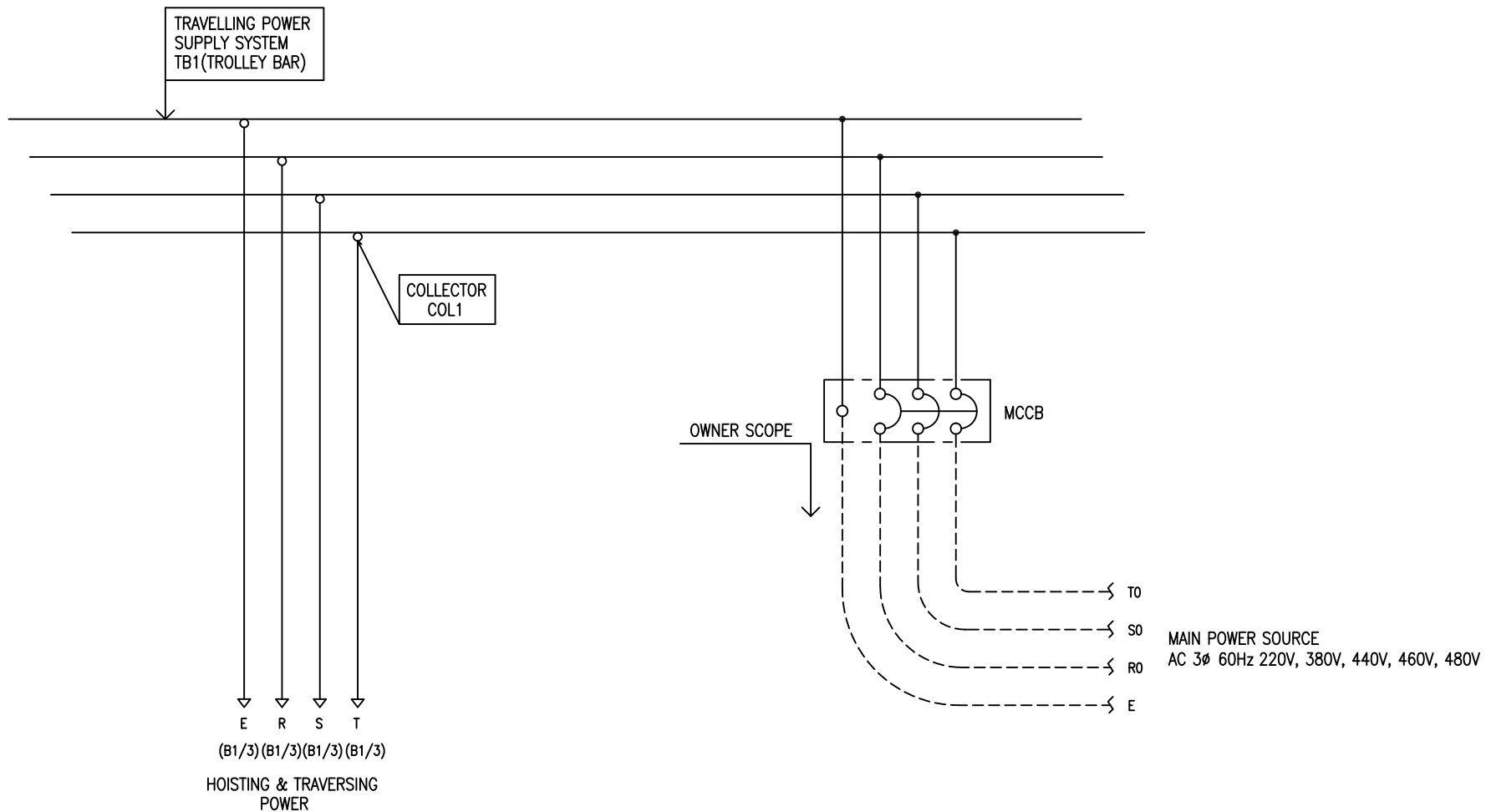


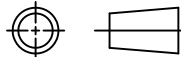

POWER CIRCUIT  
TRAVELLING POWER SUPPLY SYSTEM

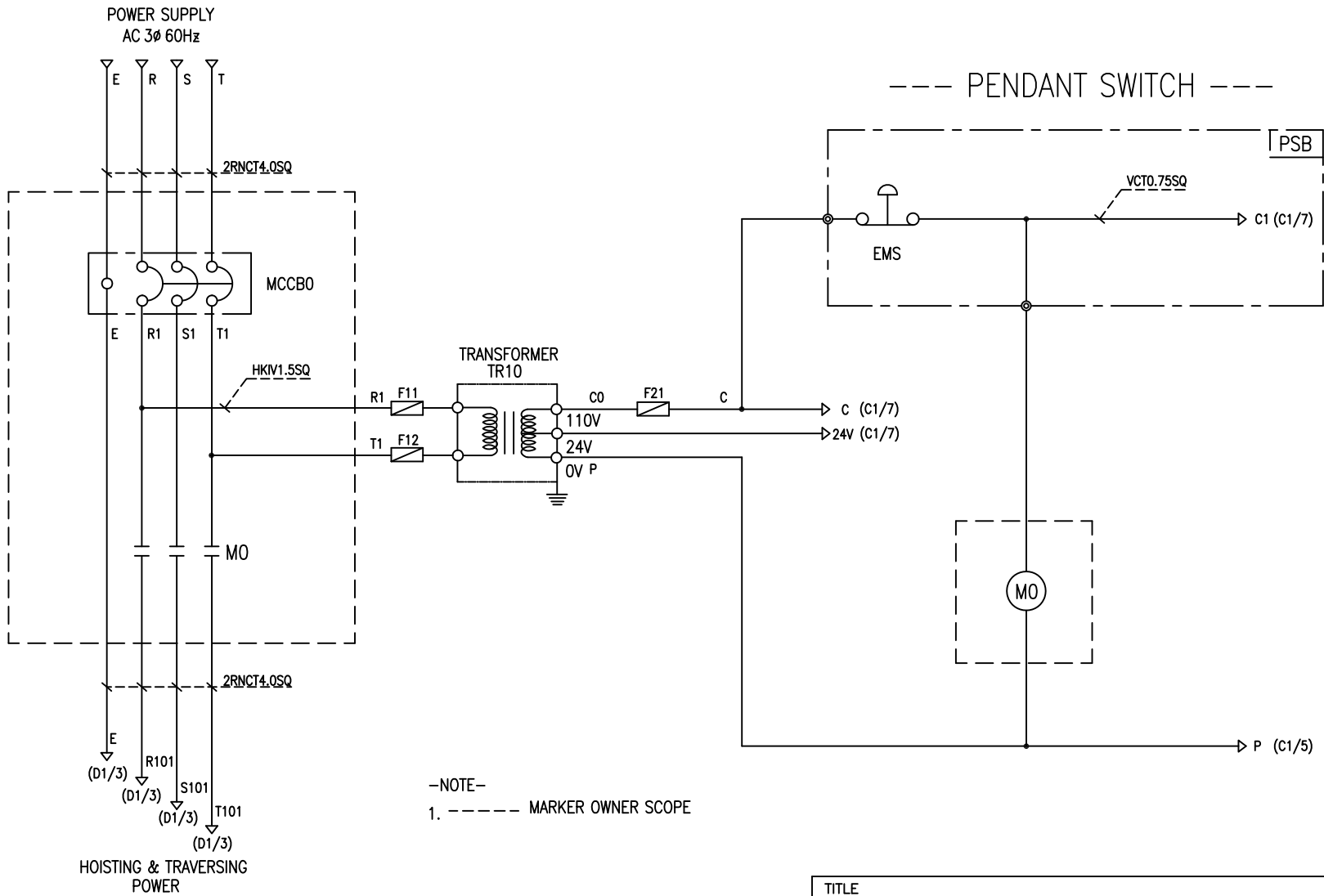
ADDRESS NO.  
A1



-NOTE-

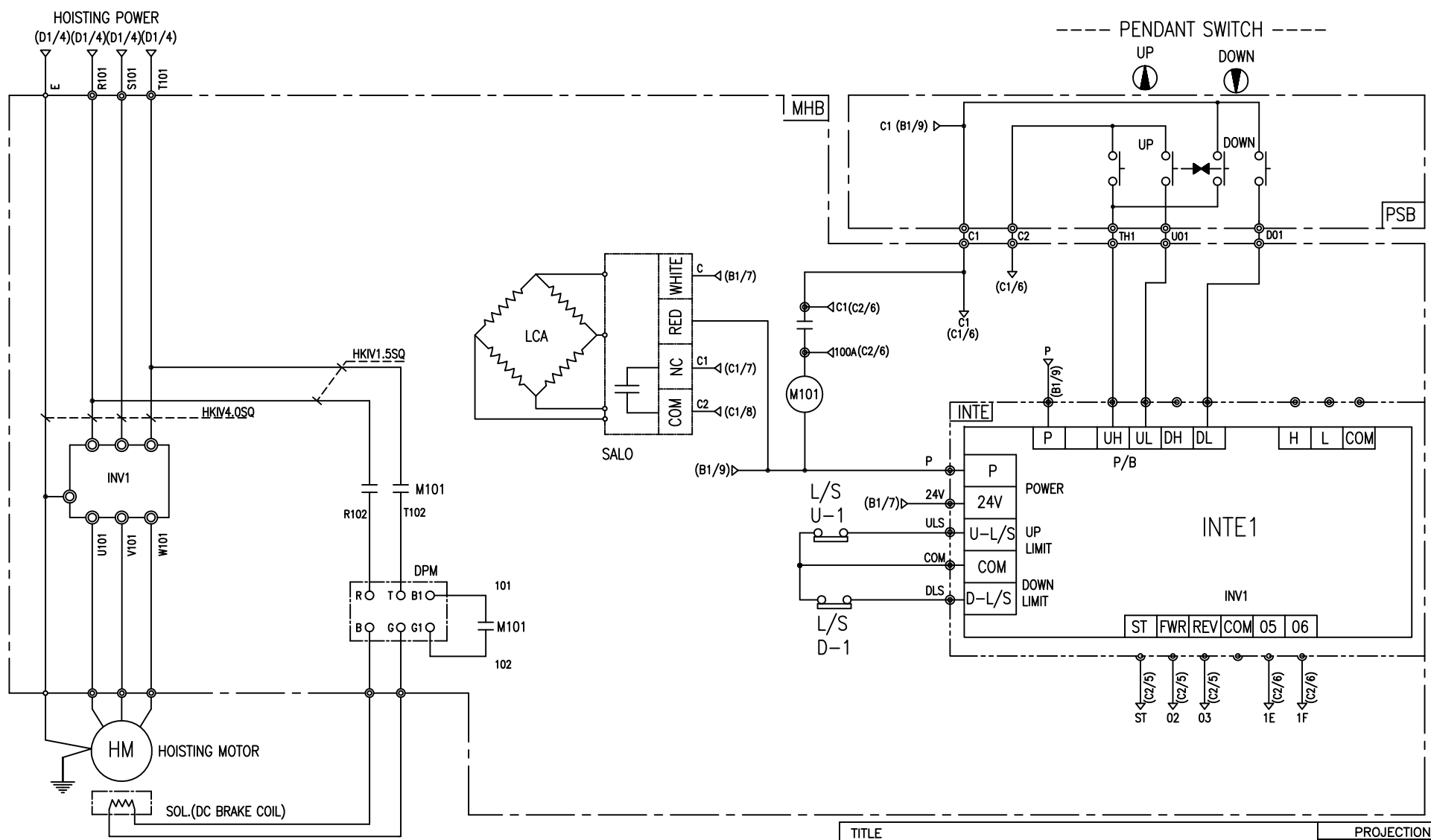
- 1. - - - - MARKED OWNER SCOPE
- 2. ——— MARKED CRAIN MAKER SCOPE

TITLE MAIN POWER CIRCUIT DIAGRAM1				PROJECTION 	
WORK NO 601	WORK NAME EDAM			SCALE 1/1	Q' TY 1
DRAWN LEE G.H. 2018.09.04		CHECKED	REVIEWED	APPROVED	DRAWING NO EDAM
					CODE NO
 <b>L K HOIST CO., LTD.</b>					



SPECIFICATION	NO FUSE BREAKER	MAGNET CONTACT	TRANSFORMER	FUZE		
SYMBOLS	MCCBO	MO	TR10	F11, F12, F21		
DESCRIPTION	220V	30A	GMC22	DMC-22	40VA	1A
	380V	15A				
	440V	15A				
	460V	15A				
	480V	15A				
MAKER	LS	LS	DONGA	LK	-	

TITLE MAIN POWER & CONTROL CIRCUIT DIAGRAM						PROJECTION 	
WORK NO 602		WORK NAME DAM				SCALE 1/1	
220V, 380V, 440V, 460V, 480V		Q' TY 1					
DRAWN LEE.G.H	CHECKED	REVIEWED	APPROVED	MODEL	EDAM		
2018.09.04				CODE NO			
L K HOIST CO., LTD.							



-NOTE-  
1. —|> : Mechanical Interlock

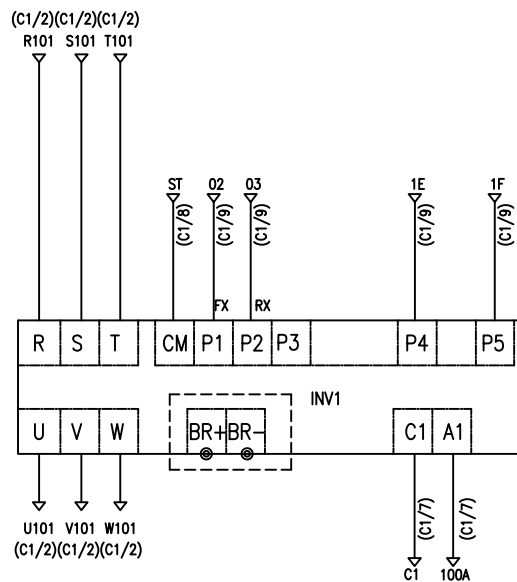
SPECIFICATION	MAGNET CONTACT	LOAD CELL	SILICON RECTIFIER				INTERFACE	HOIST MOTOR
SYMBOLS	M101	SALO	DPM				INTE1	HM
DESCRIPTION	DMC25C	SAFELO ACL05-3T	AC220V DC99V	AC380V DC171V	AC440V DC198V	AC460V DC207V	AC480V DC216V	DC24V 3.5Kw * 4P
MAKER	DONG-A	SINHAN	LK				LK	LK

TITLE HOIST POWER & CONTROL CIRCUIT DIAGRAM						PROJECTION 	
WORK NO 603		WORK NAME EDAM				SCALE 1/1	Q' TY 1
220V, 380V, 440V, 460V, 480V							
DRAWN LEE.G.H	CHECKED	REVIEWED	APPROVED	MODEL EDAM	CODE NO		
2018.09.04							

## INVERTER CIRCUIT

ADDRESS NO.

C2



-NOTE-

1. ----- : OPTION SCOPE

SPECIFICATION	INVERTER	BRAKING RESISTOR	
SYMBOLS	INV1	BR	
DESCRIPTION	LSLV0040S100	220V	600W 33 OHM
		over 380V	600W 130 OHM
MAKER	LS	-	

TITLE				(D1/6) PROJECTION	
INVERTER CONTROL CIRCUIT DIAGRAM					
WORK NO	WORK NAME			SCALE	Q' TY
604	HOISTING			1/1	1
220V, 380V, 440V, 460V, 480V					
DRAWN	CHECKED	REVIEWED	APPROVED	MODEL	EDAM
LEE.G.H				CODE NO	
2018.09.04					
<b>L K HOIST CO., LTD.</b>					

## SCHEDULE OF TECHNICAL DATA

1. SERVICE	HOISTING
2. MANUFACTURE	LK HOIST CO. LTD
3. MOTOR MODEL NO	3.5 - 4 - 38
4. RATED POWER	3.5 KW × 4 P
5. RATED VOLTAGE AND FREQUENCY	380 V      60HZ
6. MOTOR TYPE	SQUIRREL CAGE ROTOR TYPE
7. RATING	30 MIN
8. LOCATION	IN-DOOR , OUTDOOR
9. INSULATION CLASS	B
10. DESIGN TEMPERATURE RISE (BY RESISTANCE)	80℃
11. FULL LOAD SPEED	1740 RPM
12. FULL LOAD CURRENT	10 A
13. STARTING CURRENT AT RATED VOLTAGE	49.2 A
14. MINIMUM STARTING VOLTAGE	342 V
15. EFFICIENCY AT 100% RATED LOAD	73 %
16. POWER FACTOR AT 100% RATED LOAD	72.8 %
17. STARTING TORQUE	242 %
18. TYPE OF ENCLOSURE	전폐형(IP-54)
19. TYPE OF BEARING	PL : 6205DD    OPL : 6008ZZ
20. MOUNTING	VERTICAL
21. MAXIMUM AMBIENT TEMPURE	40℃
22. BEARING LUBRICATION	GREASE
23. STARTING METHOD	FULL VOLTAGE