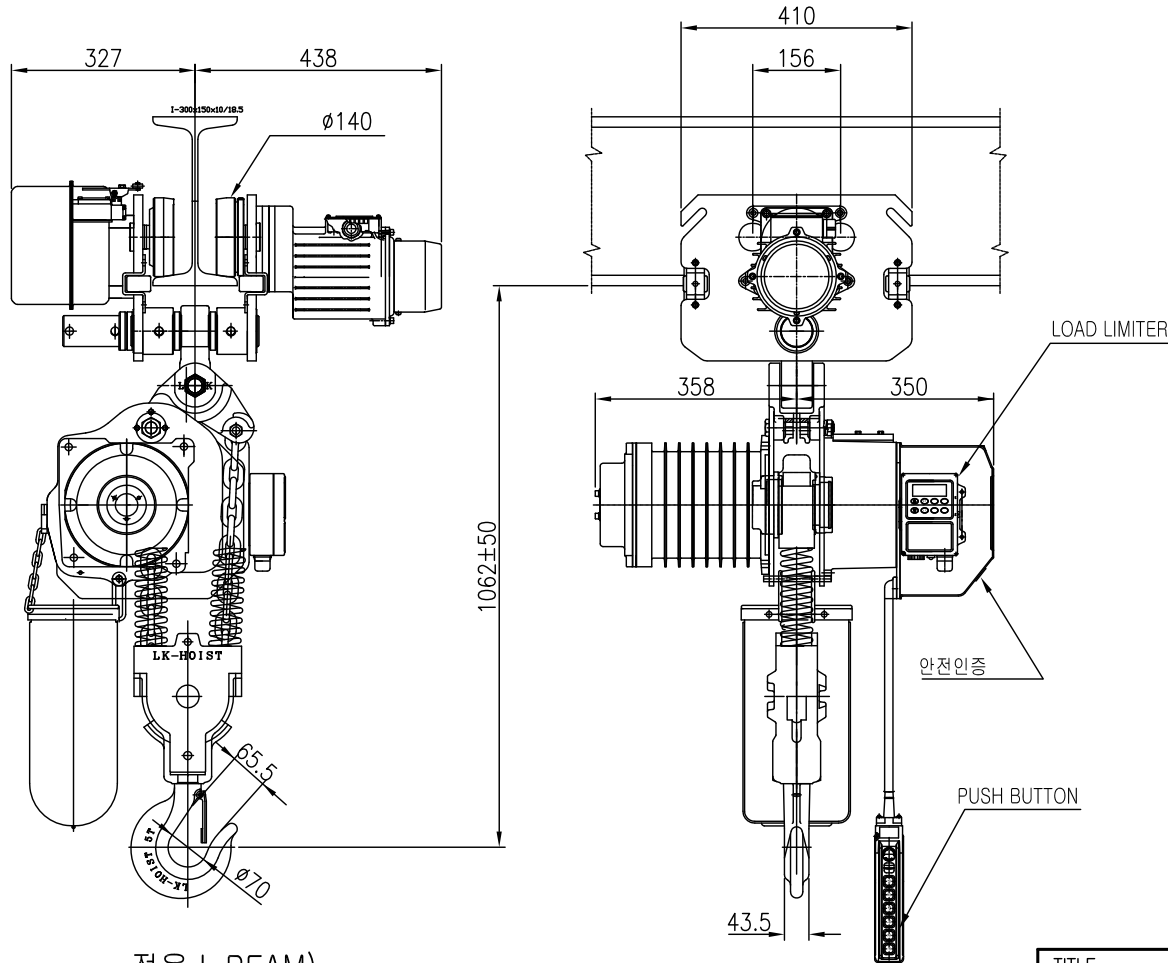


L K HOIST

NO	DESCRIPTION	MAT' L	Q' TY	WT (kg)	REMARKS



SPECIFICATION

		LK-EDAM-5W	
RATED LOAD	(TON)	5.0	
TESTING LOAD	(TON)	6.25	
LIFTING HEIGHT	(M)	50	
HOISTING	SPEED (M/MIN)	3.25	
	MOTOR (KW)	3.5kw x 4p	
TRAVERSING	SPEED (M/MIN)	20	14
	MOTOR (KW)	0.75kw x 4p	0.4kw x 6p
POWER SUPPLY	AC220.380.440.460.480Vx3φ x 60 Hz		
OPERATING METHOD	P.B type ON . FL		
LOAD CHAIN	φ11.2 X 34(2FALL)		
WEIGHT	(KG)	500KG	
I-BEAM 적용폭	125 ~ 190MM		

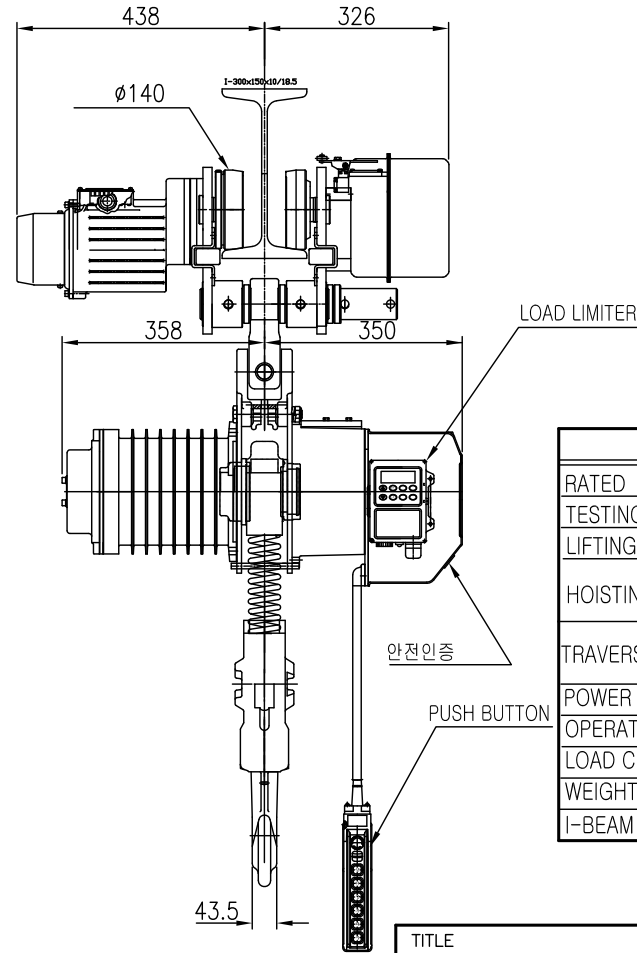
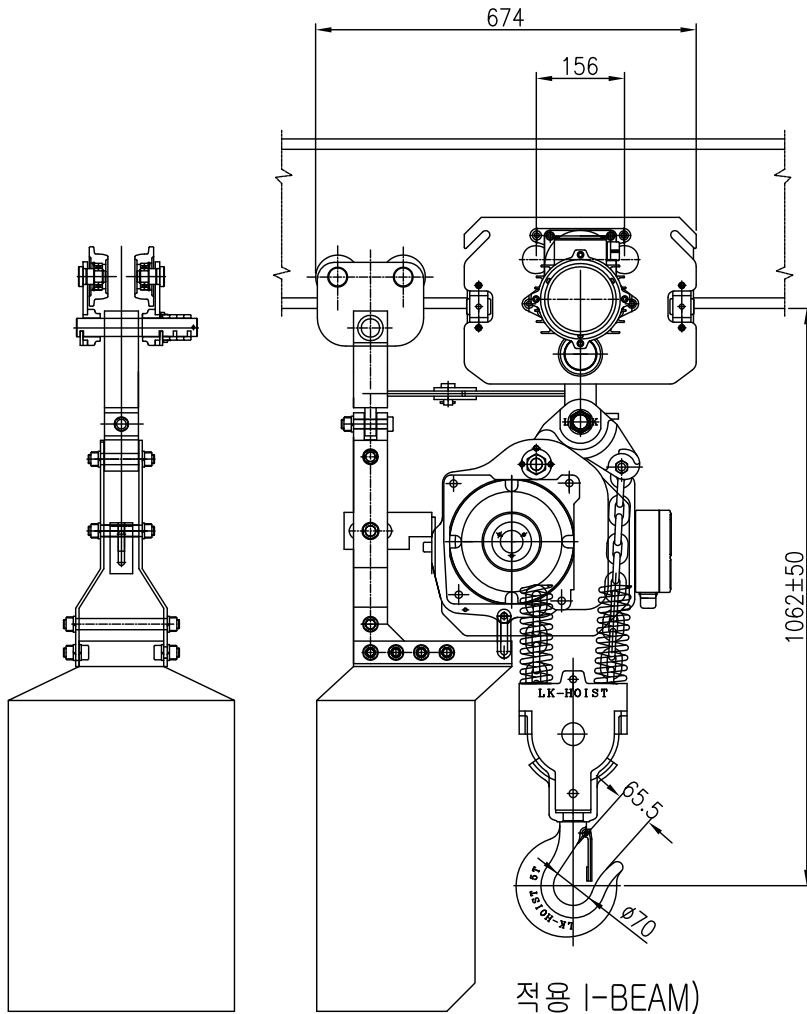
적용 I-BEAM)

- 1) 지점간거리 : I-250X125X7.5/12.5-2.5M
- 2) 지점간거리 : I-300X150X10/18.5-5.0M
- 3) 지점간거리 : I-450X175X13/26-9.0M
- 4) 지점간거리 : I-600X190X13/25-12M

TITLE					PROJECTION	
ELECTRIC CHAIN HOIST LK-EDAM-5W						
WORK NO	WORK NAME				SCALE	Q' TY
4	LK-EDAM-5W				1/1	1
DRAWN	CHECKED	REVIEWED	APPROVED	DRAWING NO		
김창기						
2013.11.05				CODE NO		
L K HOIST CO., LTD.						

L K HOIST

NO	DESCRIPTION	MAT' L	Q' TY	WT (kg)	REMARKS



SPECIFICATION

		LK-EDAM-5W	
RATED LOAD	(TON)	5.0	
TESTING LOAD	(TON)	6.25	
LIFTING HEIGHT	(M)	50	
HOISTING	SPEED (M/MIN)	3.25	
	MOTOR (KW)	3.5kw x 4p	
TRAVERSING	SPEED (M/MIN)	20	14
	MOTOR (KW)	0.75kw x 4p	0.4kw x 6p
POWER SUPPLY	AC220.380.440.460.480Vx3φ x 60 Hz		
OPERATING METHOD	P.B type ON . FL		
LOAD CHAIN	φ11.2 X 34(2FALL)		
WEIGHT	(KG)	500KG	
I-BEAM 적용폭	125 ~ 190MM		

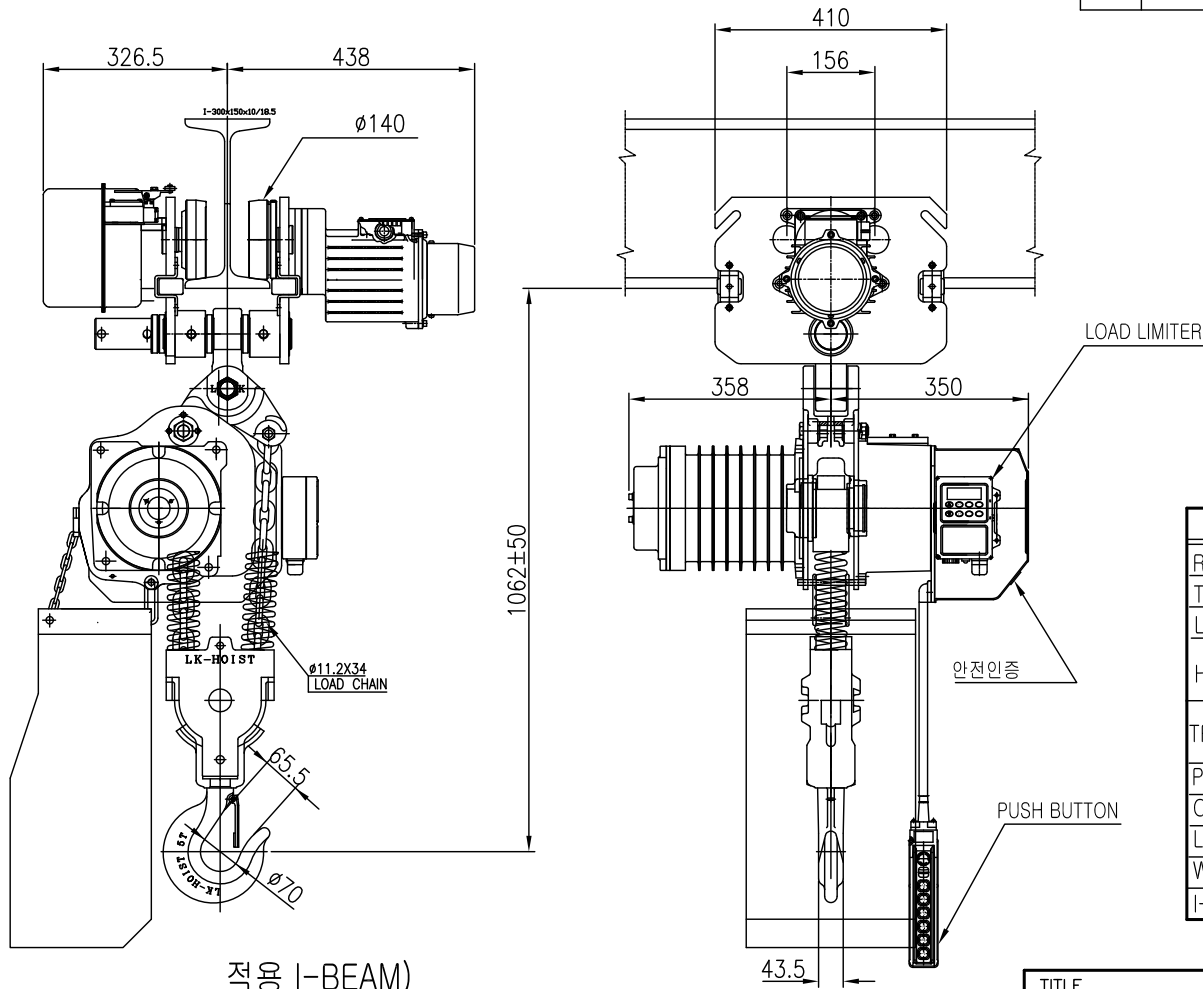
적용 I-BEAM)

- 1) 지점간거리 : I-250X125X7.5/12.5-2.5M
- 2) 지점간거리 : I-300X150X10/18.5-5.0M
- 3) 지점간거리 : I-450X175X13/26-9.0M
- 4) 지점간거리 : I-600X190X13/25-12M

TITLE					PROJECTION	
ELECTRIC CHAIN HOIST LK-EDAM-5W						
WORK NO	WORK NAME				SCALE	Q' TY
4	LK-EDAM-5W				1/1	1
DRAWN	CHECKED	REVIEWED	APPROVED	DRAWING NO		
김창기				CODE NO		
2013.11.05						
L K HOIST CO., LTD.						

L K HOIST

NO	DESCRIPTION	MAT' L	Q' TY	WT (kg)	REMARKS



SPECIFICATION

		LK-EDAM-5W	
RATED LOAD	(TON)	5.0	
TESTING LOAD	(TON)	6.25	
LIFTING HEIGHT	(M)	50	
HOISTING	SPEED (M/MIN)	3.25	
	MOTOR (KW)	3.5kw x 4p	
TRAVERSING	SPEED (M/MIN)	20	14
	MOTOR (KW)	0.75kw x 4p	0.4kw x 6p
POWER SUPPLY	AC220.380.440.460.480Vx3φ x 60 Hz		
OPERATING METHOD	P.B type ON . FL		
LOAD CHAIN	φ11.2 X 34(2FALL)		
WEIGHT	(KG)	500KG	
I-BEAM 적용폭	125 ~ 190MM		

적용 I-BEAM)

- 1) 지점간거리 : I-250X125X7.5/12.5-2.5M
- 2) 지점간거리 : I-300X150X10/18.5-5.0M
- 3) 지점간거리 : I-450X175X13/26-9.0M
- 4) 지점간거리 : I-600X190X13/25-12M

TITLE					PROJECTION	
ELECTRIC CHAIN HOIST LK-EDAM-5W						
WORK NO	WORK NAME				SCALE	Q' TY
4	LK-EDAM-5W				1/1	1
DRAWN	CHECKED	REVIEWED	APPROVED	DRAWING NO		
김창기				CODE NO		
2013.11.05						



L K HOIST CO., LTD.