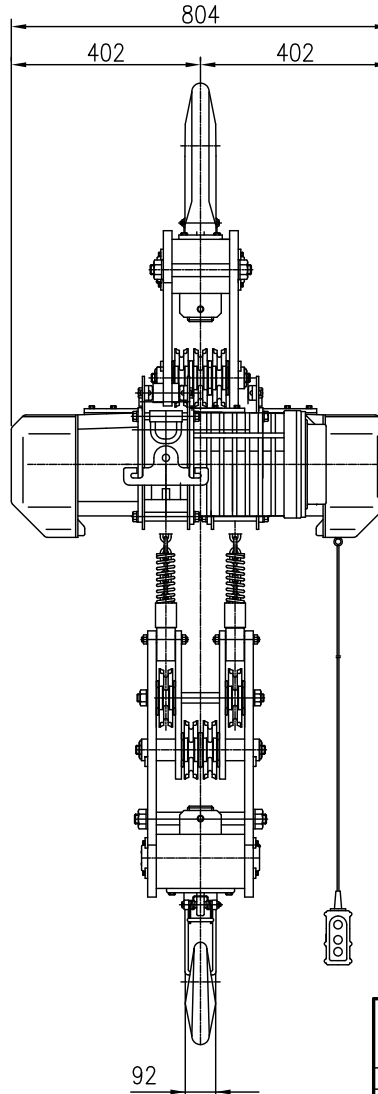
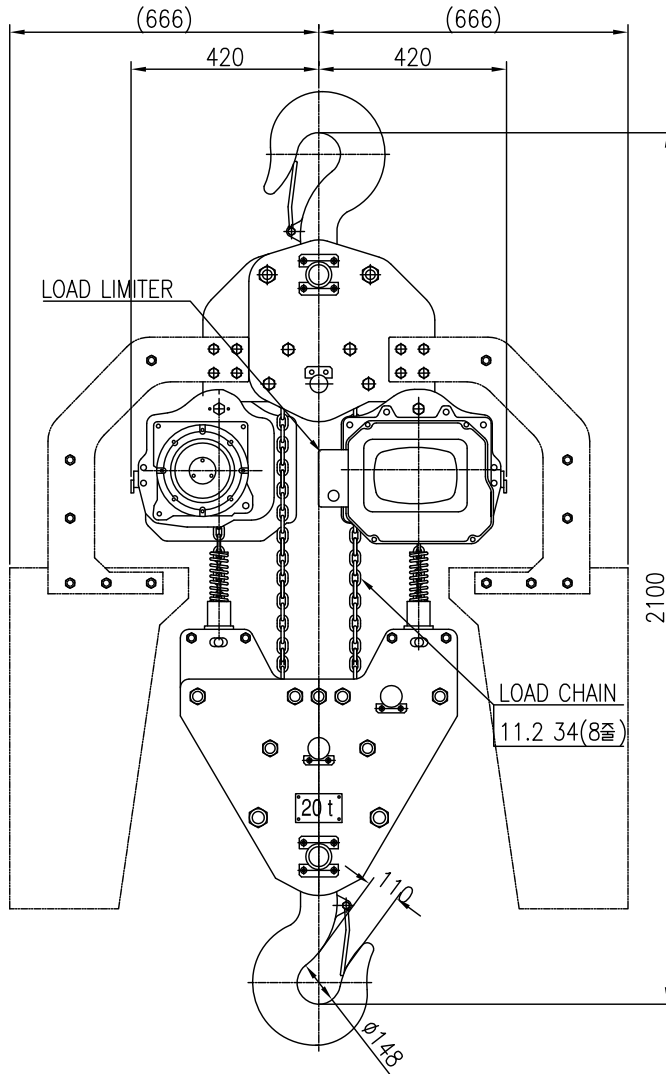


L K HOIST

ON 3MD

NO	DESCRIPTION	SIZE	MAT' L	Q' TY	WT (kg)	REMARKS



SPECIFICATION		
HOISTING LOAD	20	TON
TESTING LOAD	25	TON
LIFTING HEIGHT	50	M
HOISTING	SPEED	1.6 M/MIN
	MOTOR	3.5 KW x 2 SET
POWER SUPPLY	AC220,380,440,460,480V x 3 ϕ x 60 Hz	
OPERATING METHOD	P.B type ON . FL	
WEIGHT	1800Kg	
LOAD CHAIN	$\phi 11.2$ X 34 (8줄)	

NOTE)

- 1) 점검 설비를 갖출것.
- 2) 인허가 서류를 완성검사이시 제출할것.

TITLE					PROJECTION	
DA-20W ELECTRIC CHAIN HOIST						
WORK NO	WORK NAME				SCALE	Q' TY
					N S	1
DRAWN	CHECKED	REVIEWED	APPROVED	DRAWING NO		
KIM CH KI				CODE NO		
2018.08.06						
L K HOIST CO., LTD.						

REV.NO	DATE	REVISION	DESCRIPTION	DRAWN	CHECKED	APPROVED