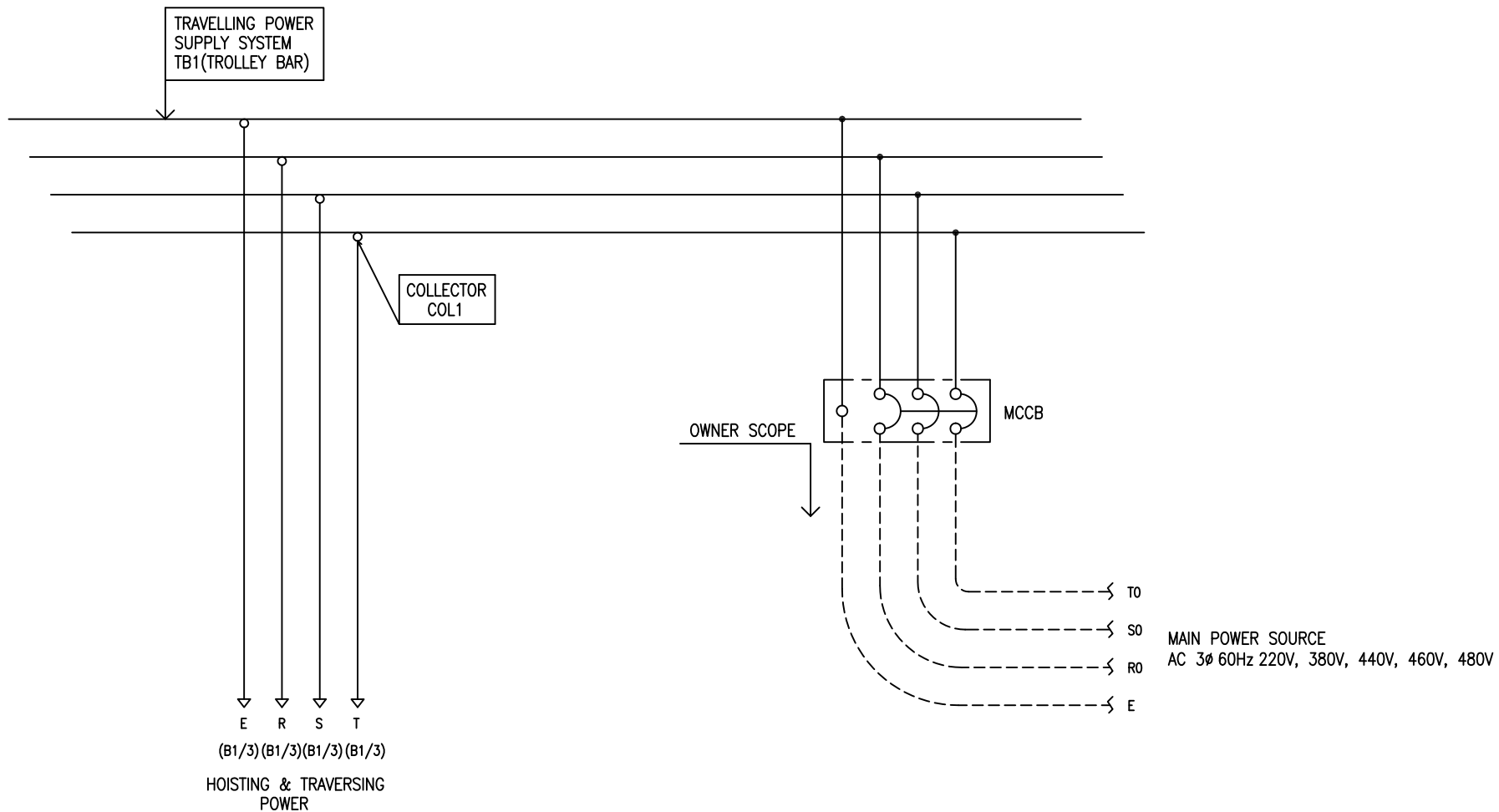


POWER CIRCUIT
TRAVELLING POWER SUPPLY SYSTEM

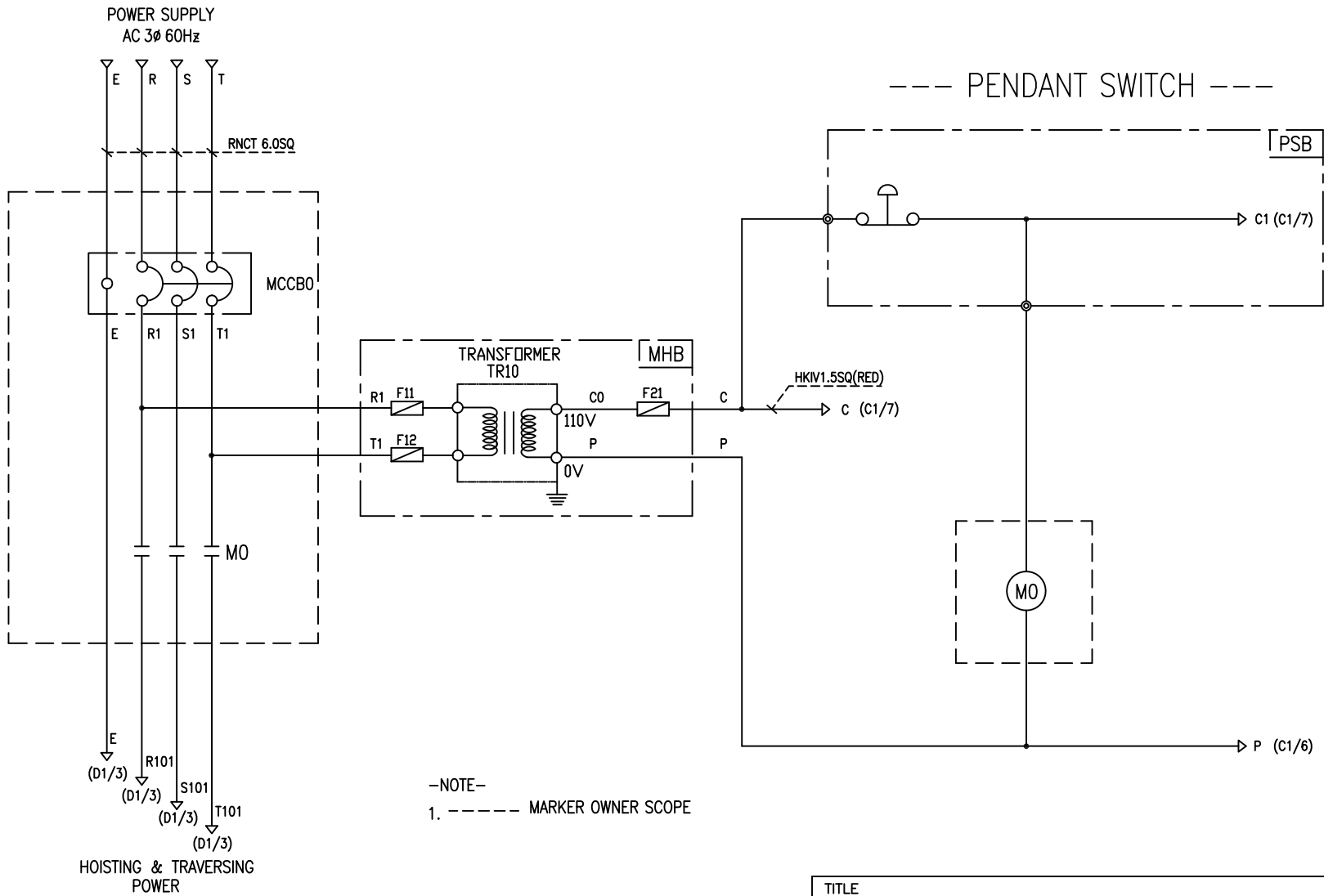
ADDRESS NO.
A1



-NOTE-

- 1. - - - - MARKED OWNER SCOPE
- 2. ——— MARKED CRAIN MAKER SCOPE

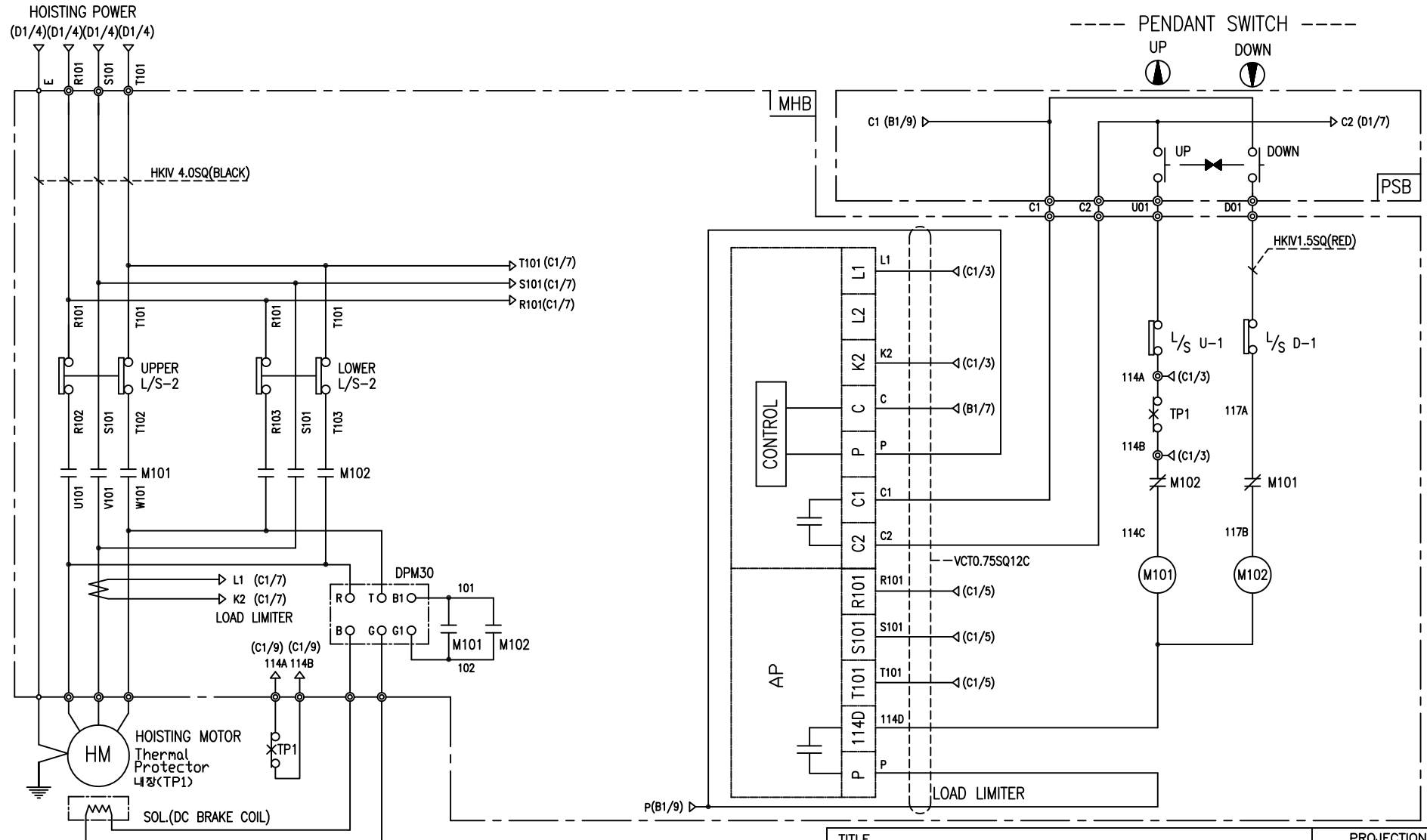
TITLE MAIN POWER CIRCUIT DIAGRAM1				PROJECTION 	
WORK NO 601	WORK NAME DAM			SCALE 1/1	Q' TY 1
DRAWN LEE G.H. 2019.08.22		CHECKED	REVIEWED	APPROVED	DRAWING NO DAM
				CODE NO	
L K HOIST CO., LTD.					



HOISTING & TRAVERSING POWER

SPECIFICATION	NO FUSE BREAKER	MAGNET CONTACT	TRANSFORMER	FUZE		
SYMBOLS	MCCBO	MO	TR10	F11, F12, F21		
DESCRIPTION	220V	50A	GMC22	DMC-22	60VA	1A
	380V	30A				
	440V	20A				
	460V	20A				
	480V	20A				
MAKER	LS	LS	DONGA	LK	-	

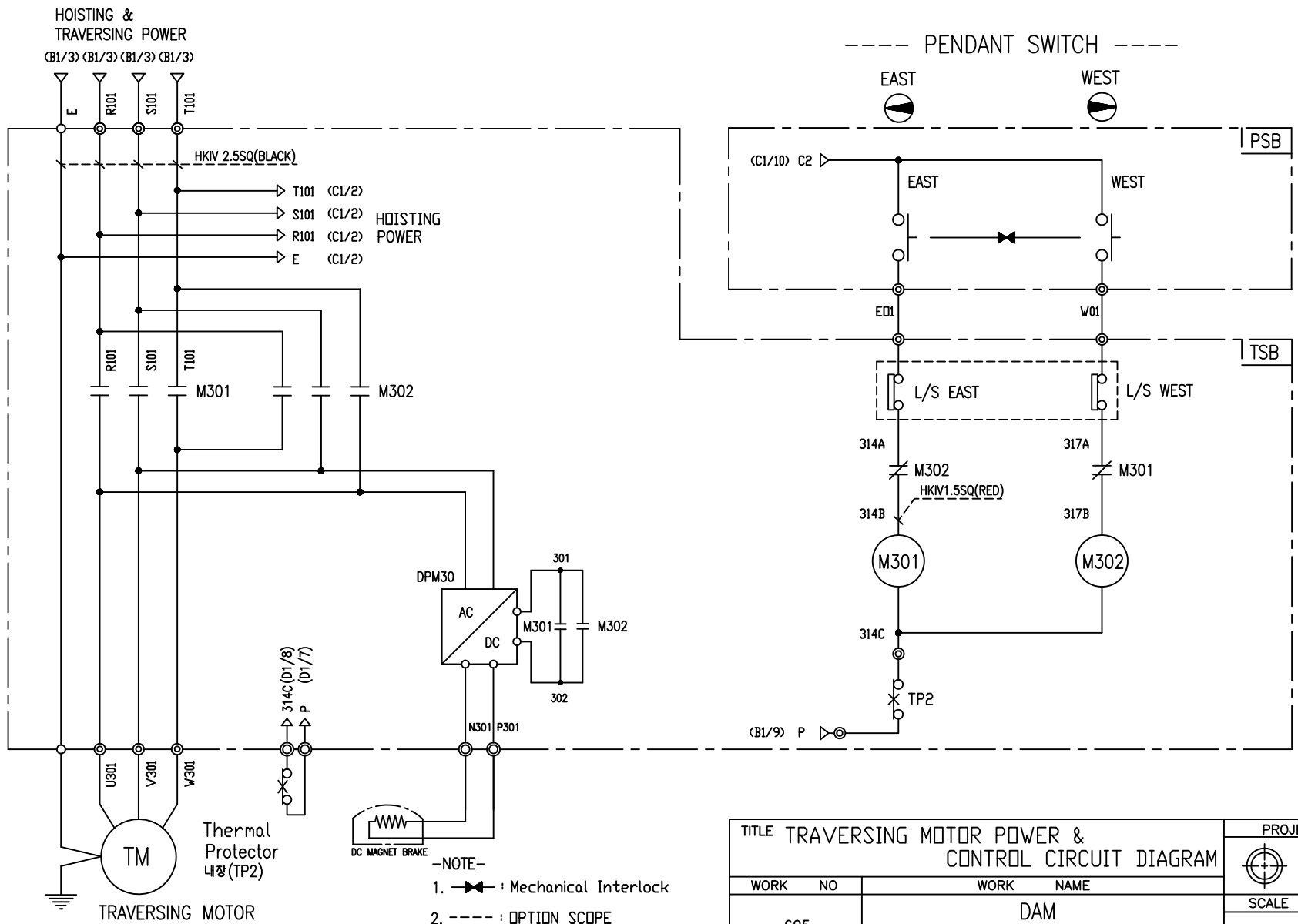
TITLE MAIN POWER & CONTROL CIRCUIT DIAGRAM						PROJECTION 	
WORK NO 602		WORK NAME DAM				SCALE 1/1	
220V, 380V, 440V, 460V, 480V		Q' TY 1					
DRAWN LEE.G.H	CHECKED	REVIEWED	APPROVED	MODEL	DAM		
2019.08.22				CODE NO			
L K HOIST CO., LTD.							



-NOTE-
 1. : Mechanical Interlock

SPECIFICATION	MAGNET CONTACT	LOAD LIMITER	SILICON RECTIFIER				Thermal Protector	HOIST MOTOR	
SYMBOLS	M101, M102	-	DPM30				TP1	HM	
DESCRIPTION	DMC-22	GMC-22	LKDL-60A	AC220V	AC440V	AC460V	AC480V	17AM032	3.5Kw * 4P
				DC99V	DC198V	DC207V	DC216V		
MAKER	DONG-A	LS	LK	LK				Texas Instruments	LK

TITLE HOIST POWER & CONTROL CIRCUIT DIAGRAM						PROJECTION 	
WORK NO 603		WORK NAME DAM				SCALE 1/1	Q' TY 1
DRAWN LEE.G.H		CHECKED	REVIEWED	APPROVED	MODEL DAM		
2019.08.22						CODE NO	
L K HOIST CO., LTD.							



-NOTE-

1. : Mechanical Interlock
2. - - - - : OPTION SCOPE

TITLE TRAVERSING MOTOR POWER & CONTROL CIRCUIT DIAGRAM						PROJECTION	
WORK NO 605						WORK NAME DAM	
220V, 440V, 460V, 480V						SCALE 1/1	Q' TY 1
DRAWN LEE.G.H	CHECKED	REVIEWED	APPROVED	MODEL	DAM		
2019.08.22				CODE NO			
L K HOIST CO., LTD.							

SPECIFICATION	MAGNET CONTACT	Thermal Protector	SILICON RECTIFIER	TRAVERSING MOTOR
SYMBOLS	M301, M302	TP2	DPM30	TM
DESCRIPTION	GMC12 DMC12b	17AM032	AC220V AC440V AC460V AC480V DC99V DC198V DC207V DC216V	0.75KW *4P 0.4KW *6P
MAKER	LS DONGA	Texas Instruments	LK	LK

SCHEDULE OF TECHNICAL DATA

1. SERVICE	HOISTING
2. MANUFACTURE	LK HOIST CO. LTD
3. MOTOR MODEL NO	3.5 - 4 - 22
4. RATED POWER	3.5 KW × 4 P
5. RATED VOLTAGE AND FREQUENCY	220 V 60HZ
6. MOTOR TYPE	SQUIRREL CAGE ROTOR TYPE
7. RATING	30 MIN
8. LOCATION	IN-DOOR , OUTDOOR
9. INSULATION CLASS	B
10. DESIGN TEMPERATURE RISE (BY RESISTANCE)	80℃
11. FULL LOAD SPEED	1740 RPM
12. FULL LOAD CURRENT	17.2 A
13. STARTING CURRENT AT RATED VOLTAGE	85.1 A
14. MINIMUM STARTING VOLTAGE	198 V
15. EFFICIENCY AT 100% RATED LOAD	73.5 %
16. POWER FACTOR AT 100% RATED LOAD	72.7 %
17. STARTING TORQUE	240 %
18. TYPE OF ENCLOSURE	전폐형(IP-54)
19. TYPE OF BEARING	PL : 6205DD OPL : 6008ZZ
20. MOUNTING	VERTICAL
21. MAXIMUM AMBIENT TEMPURE	40℃
22. BEARING LUBRICATION	GREASE
23. STARTING METHOD	FULL VOLTAGE

SCHEDULE OF TECHNICAL DATA

1. SERVICE	TRAVERSING
2. MANUFACTURE	LK HOIST CO. LTD
3. MOTOR MODEL NO	0.75 - 4 - 22
4. RATED POWER	0.75 KW × 4 P
5. RATED VOLTAGE AND FREQUENCY	220 V 60HZ
6. MOTOR TYPE	SQUIRREL CAGE ROTOR TYPE
7. RATING	15 MIN
8. LOCATION	OUTDOOR
9. INSULATION CLASS	B
10. DESIGN TEMPERATURE RISE (BY RESISTANCE)	100℃
11. FULL LOAD SPEED	1670 RPM
12. FULL LOAD CURRENT	4.8 A
13. STARTING CURRENT AT RATED VOLTAGE	26.4 A
14. MINIMUM STARTING VOLTAGE	198 V
15. EFFICIENCY AT 100% RATED LOAD	65 %
16. POWER FACTOR AT 100% RATED LOAD	63 %
17. STARTING TORQUE	250 %
18. TYPE OF ENCLOSURE	전폐형
19. TYPE OF BEARING	PL : 6008DD OPL : 6207ZZ
20. MOUNTING	VERTICAL
21. MAXIMUM AMBIENT TEMPURE	40℃
22. BEARING LUBRICATION	GREASE
23. STARTING METHOD	FULL VOLTAGE

SCHEDULE OF TECHNICAL DATA

1. SERVICE	TRAVERSING
2. MANUFACTURE	LK HOIST CO. LTD
3. MOTOR MODEL NO	0.4 - 6 - 22
4. RATED POWER	0.4 KW × 6 P
5. RATED VOLTAGE AND FREQUENCY	220 V 60HZ
6. ROTOR TYPE	SQUIRREL CAGE ROTOR TYPE
7. RATING	15 MIN
8. LOCATION	OUTDOOR
9. INSULATION CLASS	B
10. DESIGN TEMPERATURE RISE (BY RESISTANCE)	100℃
11. FULL LOAD SPEED	1140 RPM
12. FULL LOAD CURRENT	3.2 A
13. STARTING CURRENT AT RATED VOLTAGE	17.5 A
14. MINIMUM STARTING VOLTAGE	198 V
15. EFFICIENCY AT 100% RATED LOAD	65 %
16. POWER FACTOR AT 100% RATED LOAD	63 %
17. STARTING TORQUE	250 %
18. TYPE OF ENCLOSURE	전폐형
19. TYPE OF BEARING	PL : 6008DD OPL : 6207ZZ
20. MOUNTING	VERTICAL
21. MAXIMUM AMBIENT TEMPERATURE	40℃
22. BEARING LUBRICATION	GREASE
23. STARTING METHOD	FULL VOLTAGE