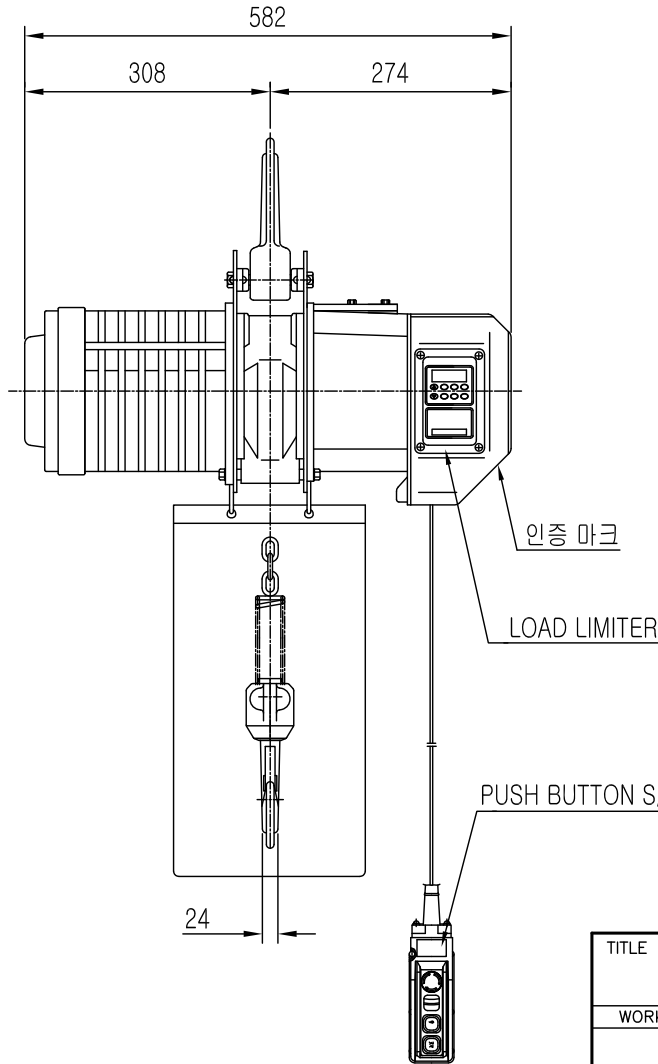
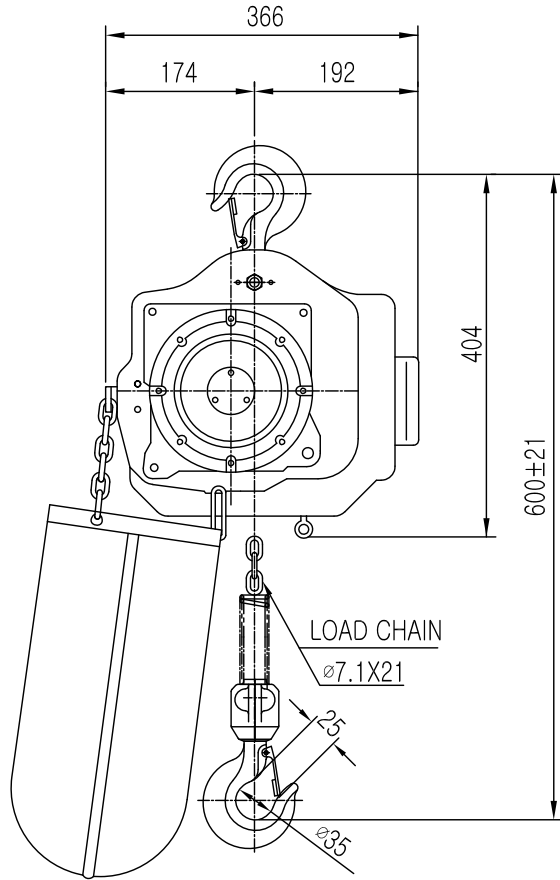


L K HOIST

ON GMD

NO	DESCRIPTION	SIZE	MAT' L	Q' TY	WT (kg)	REMARKS



SPECIFICATION		
HOISTING LOAD	1.0 TON	
TESTING LOAD	1.25 TON	
LIFTING HEIGHT	110 M	
HOISTING	SPEED	8.2 M/MIN
	MOTOR	1.8 KW x 1 SET
TRAVERSING	SPEED	- M/MIN
	MOTOR	- KW x - SET
POWER SUPPLY	AC220,380,440,460,480Vx 3ø x 60 Hz	
OPERATING METHOD	P.B type ON . FL	
LOAD CHAIN	ø7.1 x 21 (1FALL)	
WIEGHT	195 KG	

NOTE)

- 1) 점검 설비를 갖출것.
- 2) 인허가 서류를 완성검사시 제출할것.
- 3) CHAIN BOX 형상 및 SIZE 양정에 따라 변경 됨.

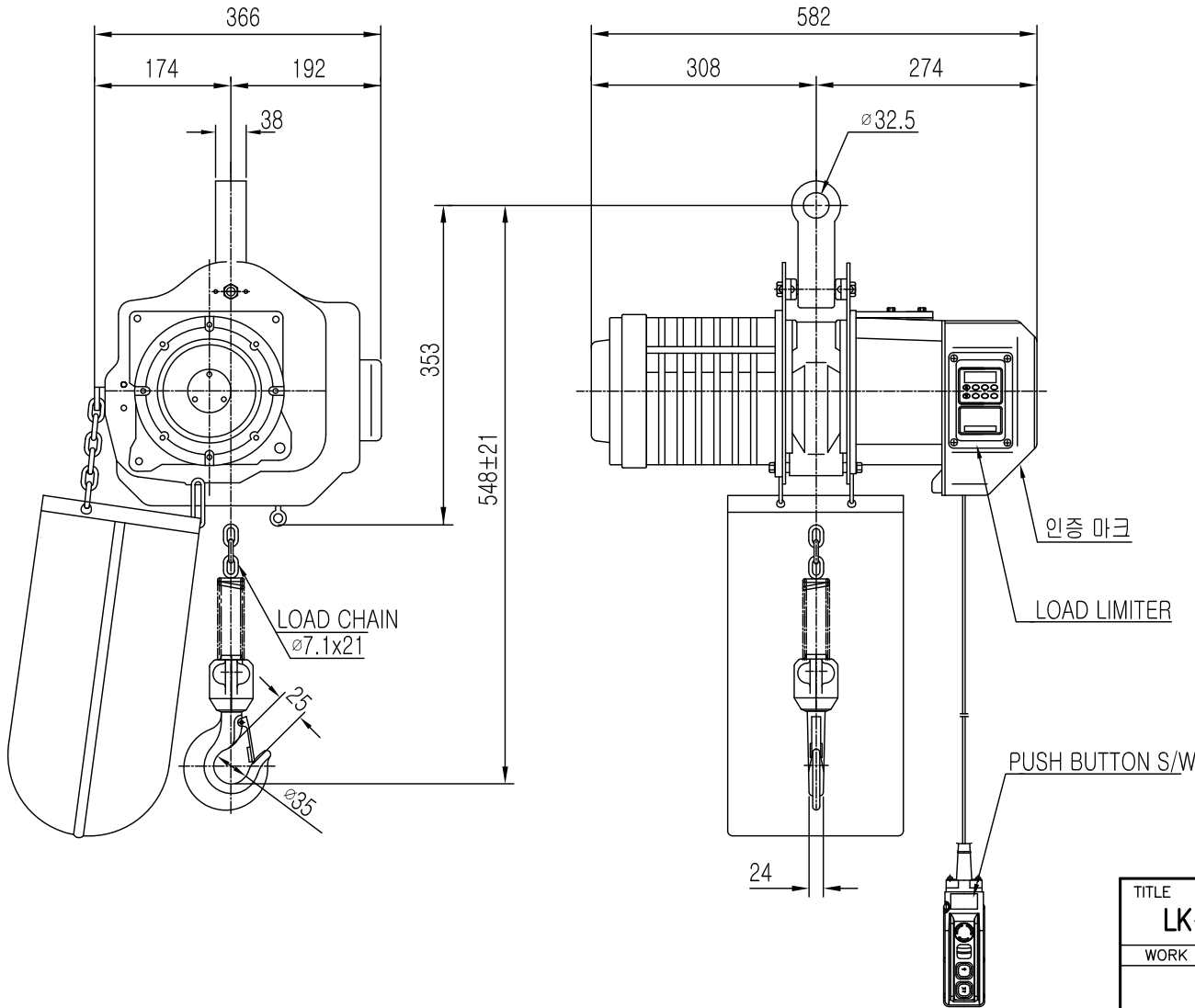
TITLE				PROJECTION	
LK-DAH-1S ELECTRIC CHAIN HOIST					
WORK NO	WORK NAME			SCALE	Q' TY
	HOOK TYPE			N S	1
DRAWN	CHECKED	REVIEWED	APPROVED	DRAWING NO	
김 창 기		김 창 기			
2013.06.05		2013.06.05			

REV.NO	DATE	REVISION	DESCRIPTION	DRAWN	CHECKED	APPROVED

L K HOIST

ON OMD

NO	DESCRIPTION	SIZE	MAT' L	Q' TY	WT (kg)	REMARKS



SPECIFICATION		
HOISTING LOAD	1.0	TON
TESTING LOAD	1.25	TON
LIFTING HEIGHT	110	M
HOISTING	SPEED	8.2 M/MIN
	MOTOR	1.8 KW x 1 SET
TRAVERSING	SPEED	- M/MIN
	MOTOR	- KW x - SET
POWER SUPPLY	AC220,380,440,460,480Vx 3ø x 60 Hz	
OPERATING METHOD	P.B type ON . FL	
LOAD CHAIN	ø7.1 x 21 (1FALL)	
WIEGHT	195 KG	

NOTE)

- 1) 점검 설비를 갖출것.
- 2) 인허가 서류를 완성검사시 제출할것.
- 3) CHAIN BOX 형상 및 SIZE 양정에 따라 변경 됨.

TITLE				PROJECTION	
LK-DAH-1S ELECTRIC CHAIN HOIST					
WORK NO	WORK NAME			SCALE	Q' TY
	CONNECTOR TYPE			N S	1
DRAWN	CHECKED	REVIEWED	APPROVED	DRAWING NO	
김창기		김창기			
2013.06.05		2013.06.05			

REV.NO	DATE	REVISION DESCRIPTION	DRAWN	CHECKED	APPROVED



L K HOIST CO., LTD.