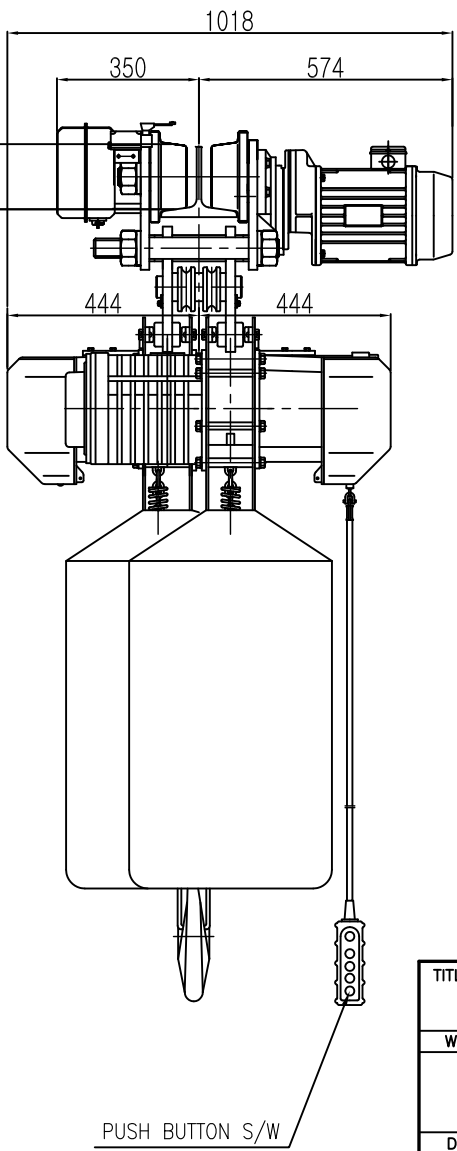
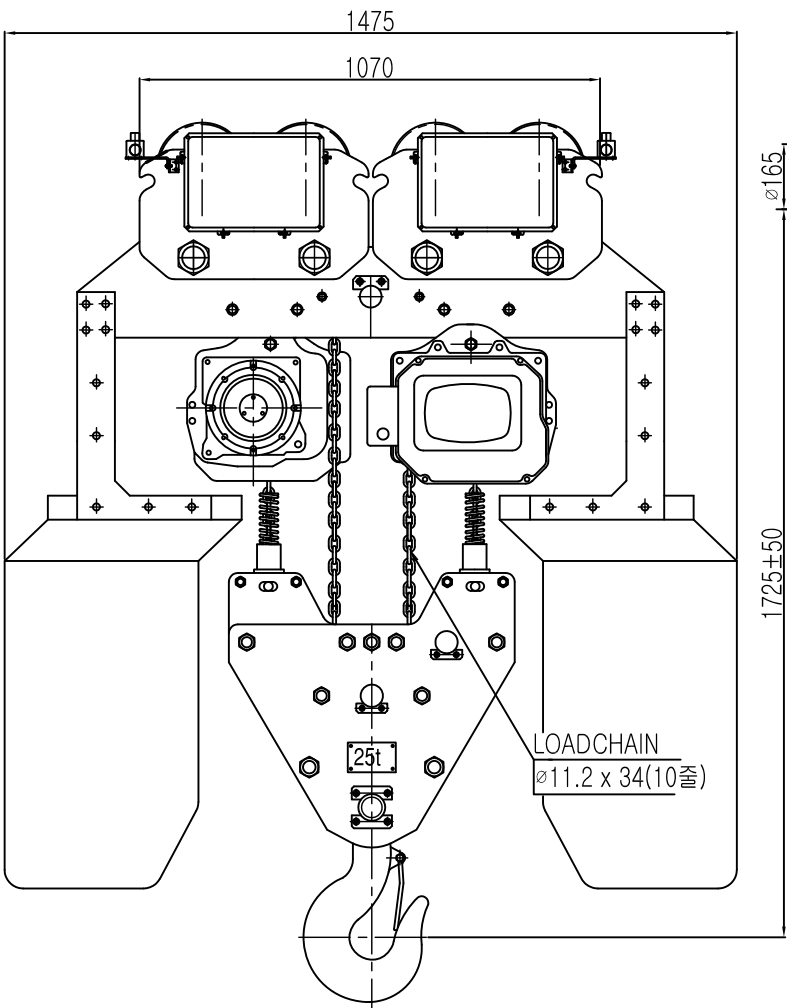


ON 9MD

L K HOIST

NO	DESCRIPTION	SIZE	MAT' L	Q' TY	WT (kg)	REMARKS



SPECIFICATION

		LK-DAM-25W		
RATED LOAD	(TON)	25		
TESTING LOAD	(TON)	31.25		
LIFTING HEIGHT	(M)	50		
HOISTING	SPEED (M/MIN)	1.3		
	MOTOR (KW)	3.5kw x 4p (2SET)		
TRAVERSING	SPEED (M/MIN)	17	11	17/5
	MOTOR (KW)	1.5kw x 4p (2SET)	1.0kw x 6p (2SET)	1.5/0.5kw x 4/12p (2SET)
POWER SUPPLY	AC220.380.440.460.480Vx3ø x 60 Hz			
OPERATING METHOD	P.B type ON . FL			
LOAD CHAIN	ø11.2 X 34 (10FALL)			
WEIGHT	(KG)	2100KG		
I-BEAM 적용폭	150 ~ 190MM			

적용 I-BEAM)

- 1) 지점간거리 : I-300X150X10/18.5-1.1M
- 2) 지점간거리 : I-450X175X13/26-2.5M
- 3) 지점간거리 : I-600X190X13/25-4.0M

NOTE)

- 1)점검 설비를 갖출 것
- 2)인허가 서류를 완성검사시 제출 할 것

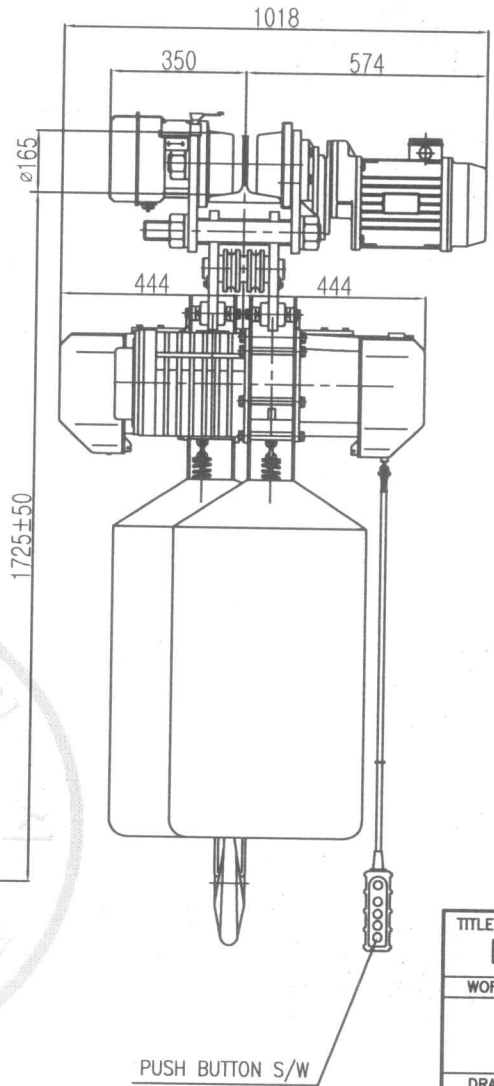
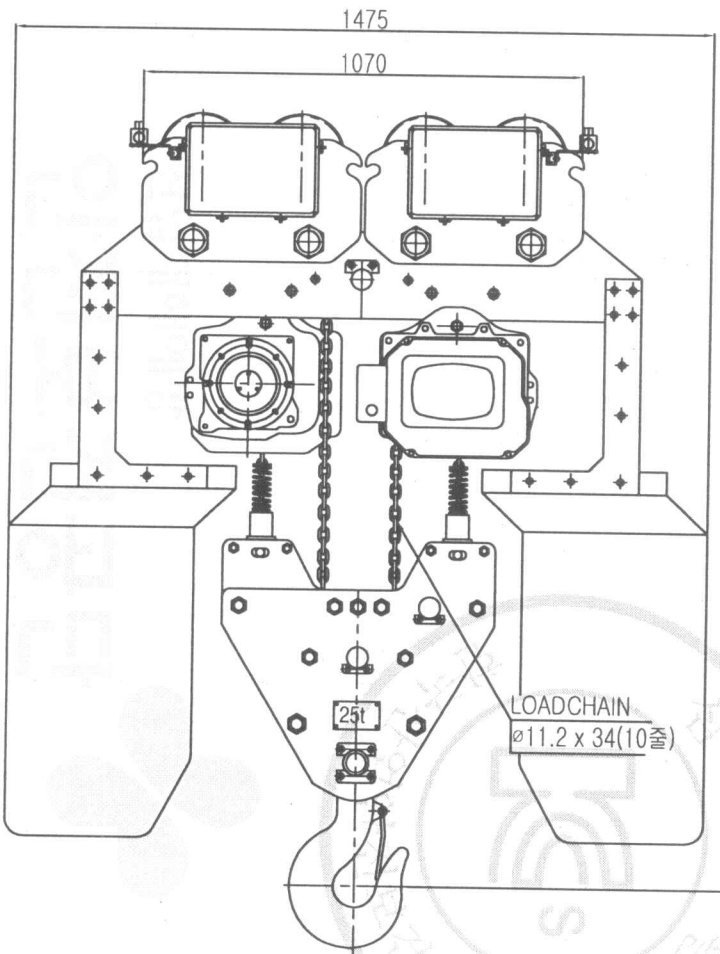
REV.NO	DATE	REVISION DESCRIPTION	DRAWN	CHECKED	APPROVED

TITLE				PROJECTION	
DAM-25W ELECTRIC CHAIN HOIST					
WORK NO	WORK NAME			SCALE	Q' TY
				N S	1
DRAWN	CHECKED	REVIEWED	APPROVED	DRAWING NO	
김 창 기					
2010.08.01				CODE	NO

ON 5MG

L K HOIST

NO	DESCRIPTION	SIZE	MAT L	Q' TY	WT (kg)	REMARKS



SPECIFICATION

		LK-DAM-25W		
RATED LOAD (TON)	25			
TESTING LOAD (TON)	31.25			
LIFTING HEIGHT (M)	50			
HOISTING	SPEED (M/MIN)	1.3		
	MOTOR (KW)	3.5kw x 4p (2SET)		
TRAVERSING	SPEED (M/MIN)	17	11	17/5
	MOTOR (KW)	1.5kw x 4p (2SET)	1.0kw x 6p (2SET)	1.5/0.5kw x 4/12p (2SET)
POWER SUPPLY	AC220.380.440.460.480Vx3ø x 60 Hz			
OPERATING METHOD	P.B type ON . FL			
LOAD CHAIN	ø11.2 X 34 (10FALL)			
WEIGHT (KG)	2100KG			
I-BEAM 적용폭	150 ~ 190MM			

적용 I-BEAM)

- 1) 지점간거리 : I-300X150X10/18.5-1.1M
- 2) 지점간거리 : I-450X175X13/26-2.5M
- 3) 지점간거리 : I-600X190X13/25-4.0M

NOTE)

- 1)점검 설비를 갖추실 것
- 2)인허가 서류를 완성검사시 제출 할 것

TITLE					PROJECTION	
DAM-25W ELECTRIC CHAIN HOIST						
WORK NO	WORK NAME				SCALE	Q' TY
					N S	1
DRAWN	CHECKED	REVIEWED	APPROVED	DRAWING NO		
김 창 기						
2010.08.01				CODE NO		
L K HOIST CO., LTD.						

REV.NO	DATE	REVISION	DESCRIPTION	DRAWN	CHECKED	APPROVED

물범복제 및 배포금지