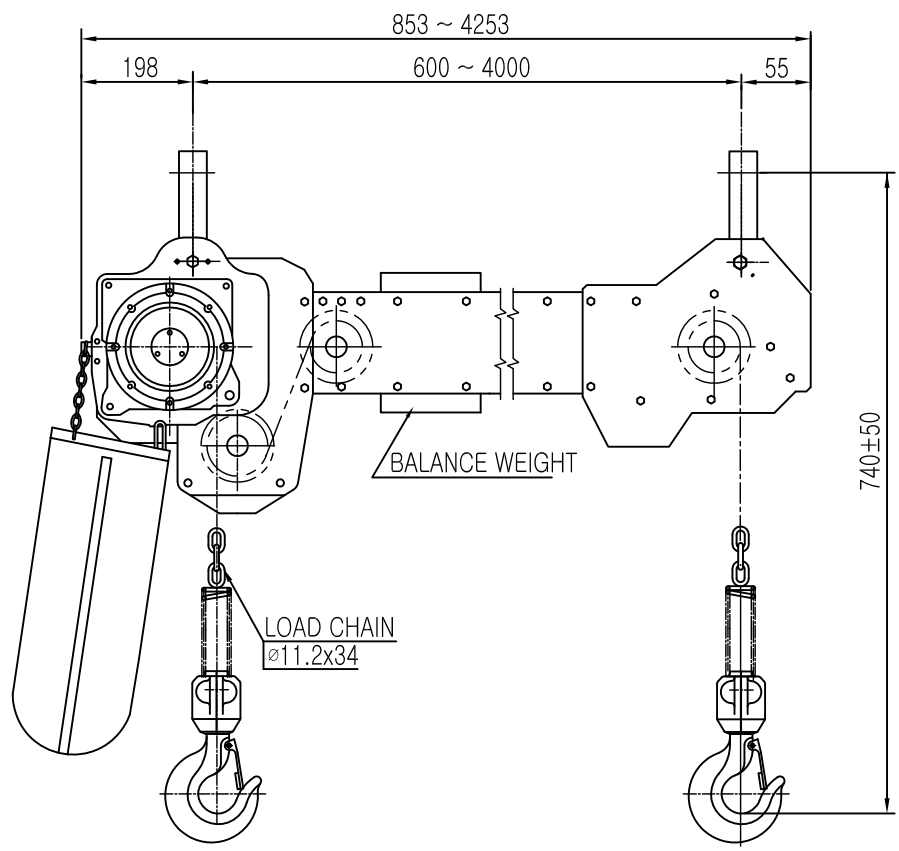
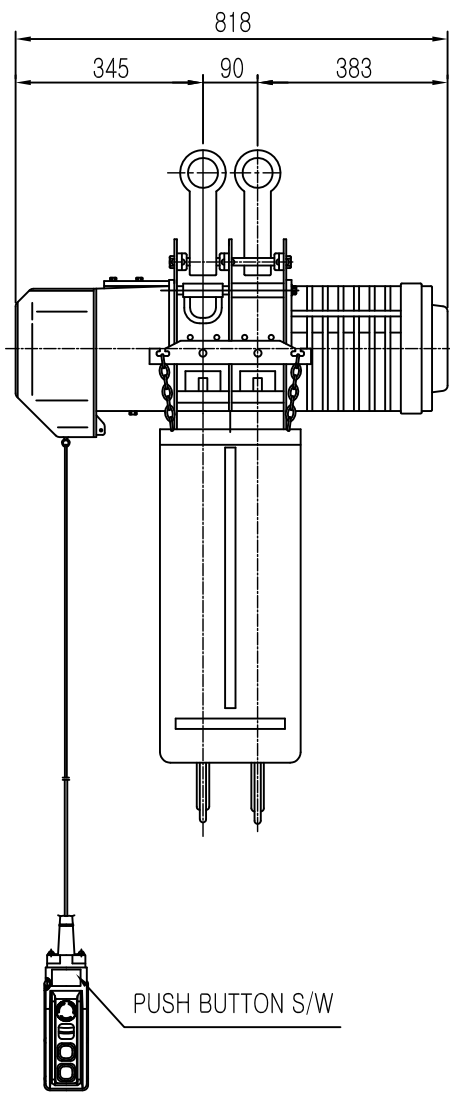


ON ㉔MD

# L K HOIST

NO	DESCRIPTION	SIZE	MAT' L	Q' TY	WT (kg)	REMARKS



SPECIFICATION		
RATED	2.0	TON
TESTING LOAD	2.5	TON
LIFTING HEIGHT	40	M
HOISTING	SPEED	8.1/2.7 M/MIN
	MOTOR	4.4/2.2KW x 2/6P
TRAVERSING	SPEED	-
	MOTOR	-
POWER SUPPLY	AC220,380,440,460,480 V x 3ø x 60 Hz	
OPERATING METHOD	P.B type ON , FL	
LOAD CHAIN	ø11.2 x 34 (1FALL)	
WIEGHT	497 KG	

NOTE)

- 1) 점검 설비를 갖출것.
- 2) 인허가 서류를 완성검사시 제출할것.

REV.NO	DATE	REVISION	DESCRIPTION	DRAWN	CHECKED	APPROVED

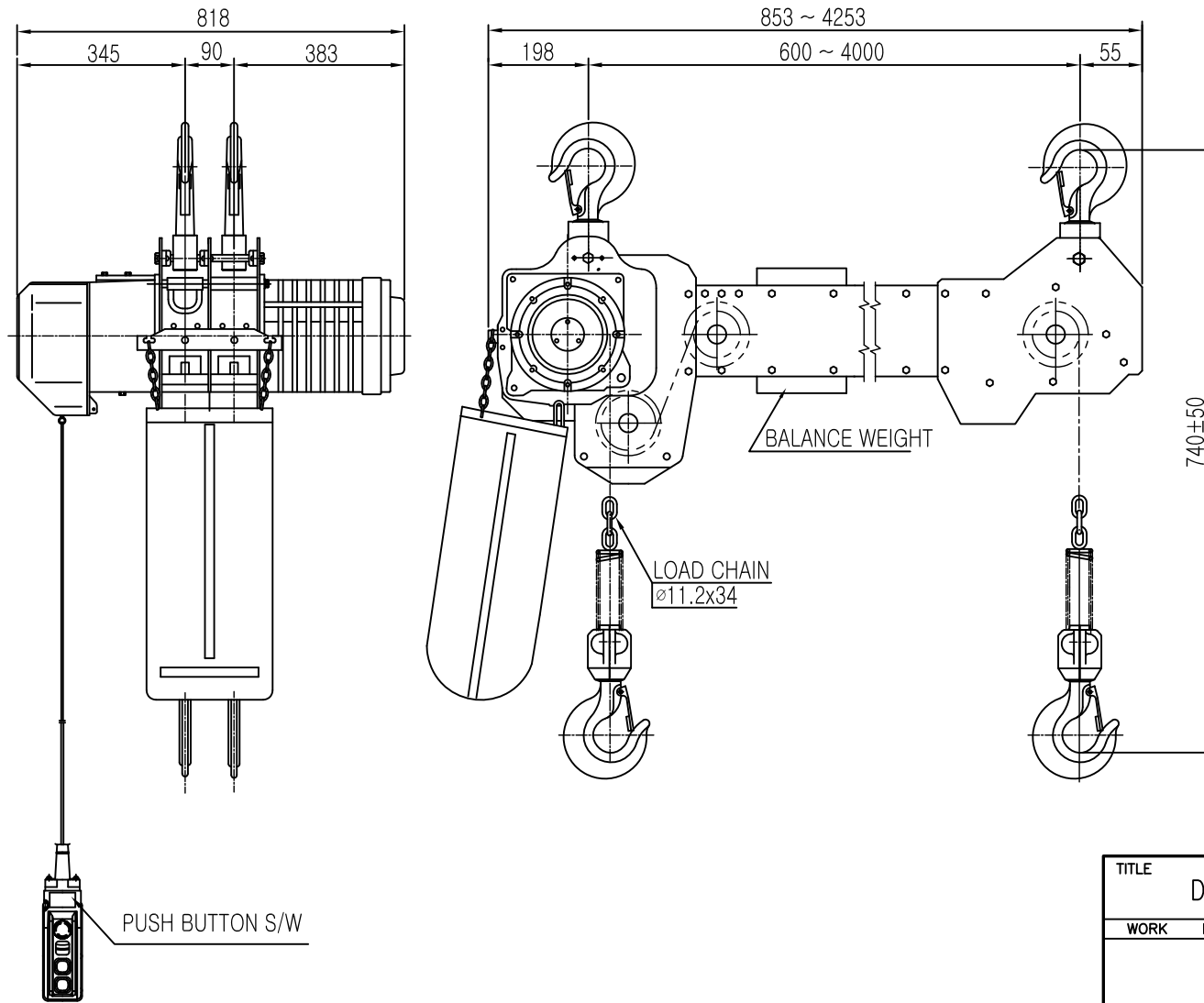
TITLE					PROJECTION	
DHDB-2S ELECTRIC CHAIN HOIST						
WORK NO	WORK NAME		CONNECTOR TYPE		SCALE	Q' TY
					N.S	1
DRAWN	CHECKED	REVIEWED	APPROVED	DRAWING NO	CORD NO	
김 창 기						
2010.08.01						

**LK** L K HOIST CO., LTD.

ON GMD

# L K HOIST

NO	DESCRIPTION	SIZE	MAT' L	Q' TY	WT (kg)	REMARKS



SPECIFICATION		
RATED	2.0	TON
TESTING LOAD	2.5	TON
LIFTING HEIGHT	40	M
HOISTING	SPEED	8.1/2.7 M/MIN
	MOTOR	4.4/2.2KW x 2/6P
TRAVERSING	SPEED	-
	MOTOR	-
POWER SUPPLY	AC220,380,440,460,480 V x 3 $\varnothing$ x 60 Hz	
OPERATING METHOD	P.B type ON . FL	
LOAD CHAIN	$\varnothing 11.2 \times 34$ (1FALL)	
WIEGHT	497 KG	

NOTE)

- 1) 점검 설비를 갖출것.
- 2) 인허가 서류를 완성검사시 제출할것.

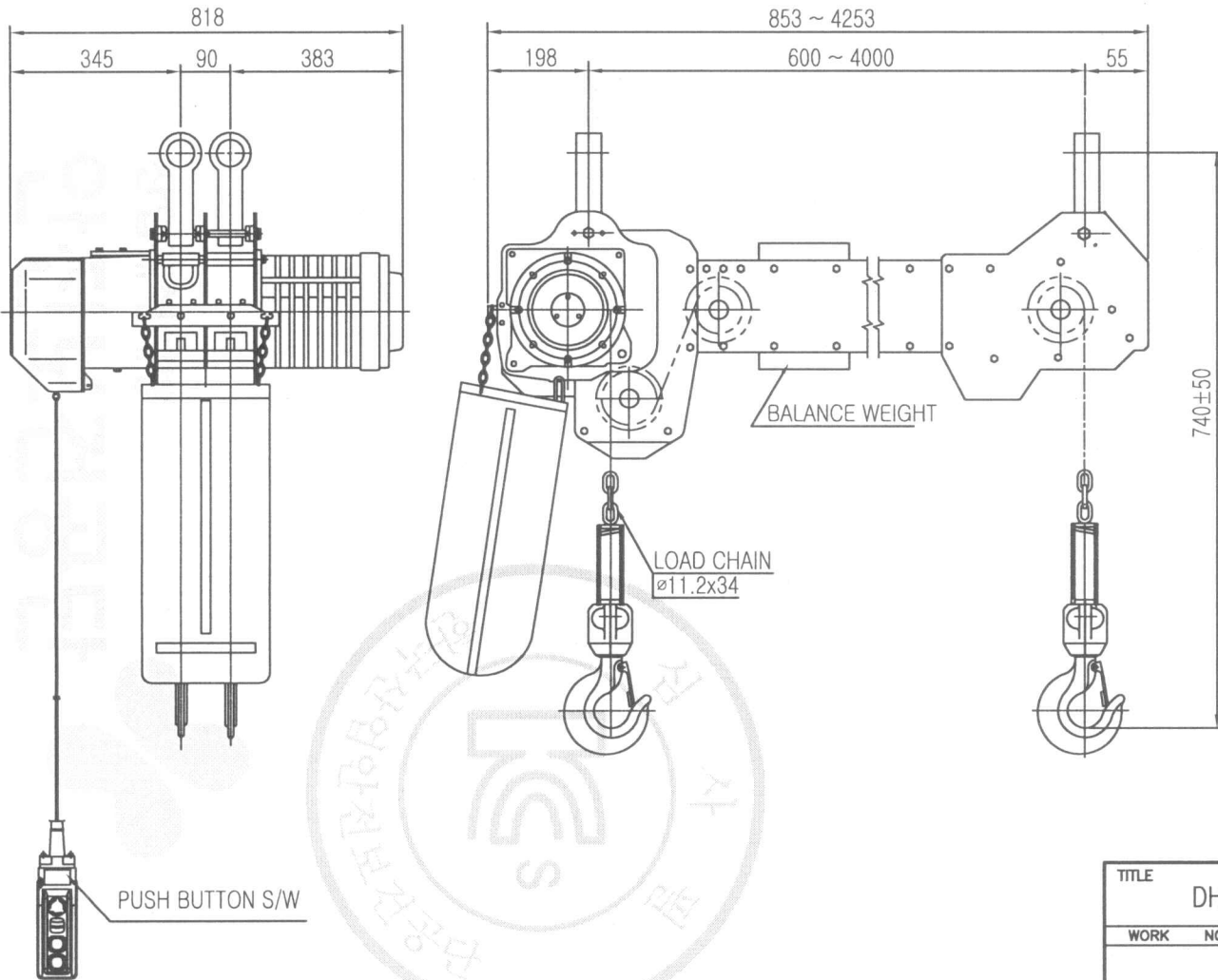
REV.NO	DATE	REVISION	DESCRIPTION	DRAWN	CHECKED	APPROVED

TITLE					PROJECTION	
DHDB-2S ELECTRIC CHAIN HOIST						
WORK NO	WORK NAME				SCALE	Q' TY
	HOOK TYPE				N.S	1
DRAWN	CHECKED	REVIEWED	APPROVED	DRAWING NO		
김창기				CORD NO		
2010.08.01						
L K HOIST CO., LTD.						

ON 5MD

# L K HOIST

NO	DESCRIPTION	SIZE	MAT'L	Q'TY	WT (kg)	REMARKS



SPECIFICATION		
RATED	2.0	TON
TESTING LOAD	2.5	TON
LIFTING HEIGHT	40	M
HOISTING	SPEED	8.1/2.7 M/MIN
	MOTOR	4.4/2.2KW x 2/6P
TRAVERSING	SPEED	-
	MOTOR	-
POWER SUPPLY	AC220,380,440,460,480 V x 3ø x 60 Hz	
OPERATING METHOD	P.B type ON . FL	
LOAD CHAIN	ø11.2 x 34 (1FALL)	
WIEGHT	497 KG	

NOTE)

- 1) 점검 설비를 갖추것.
- 2) 인허가 서류를 완성검사시 제출할것.

물범복제 및 배포금지

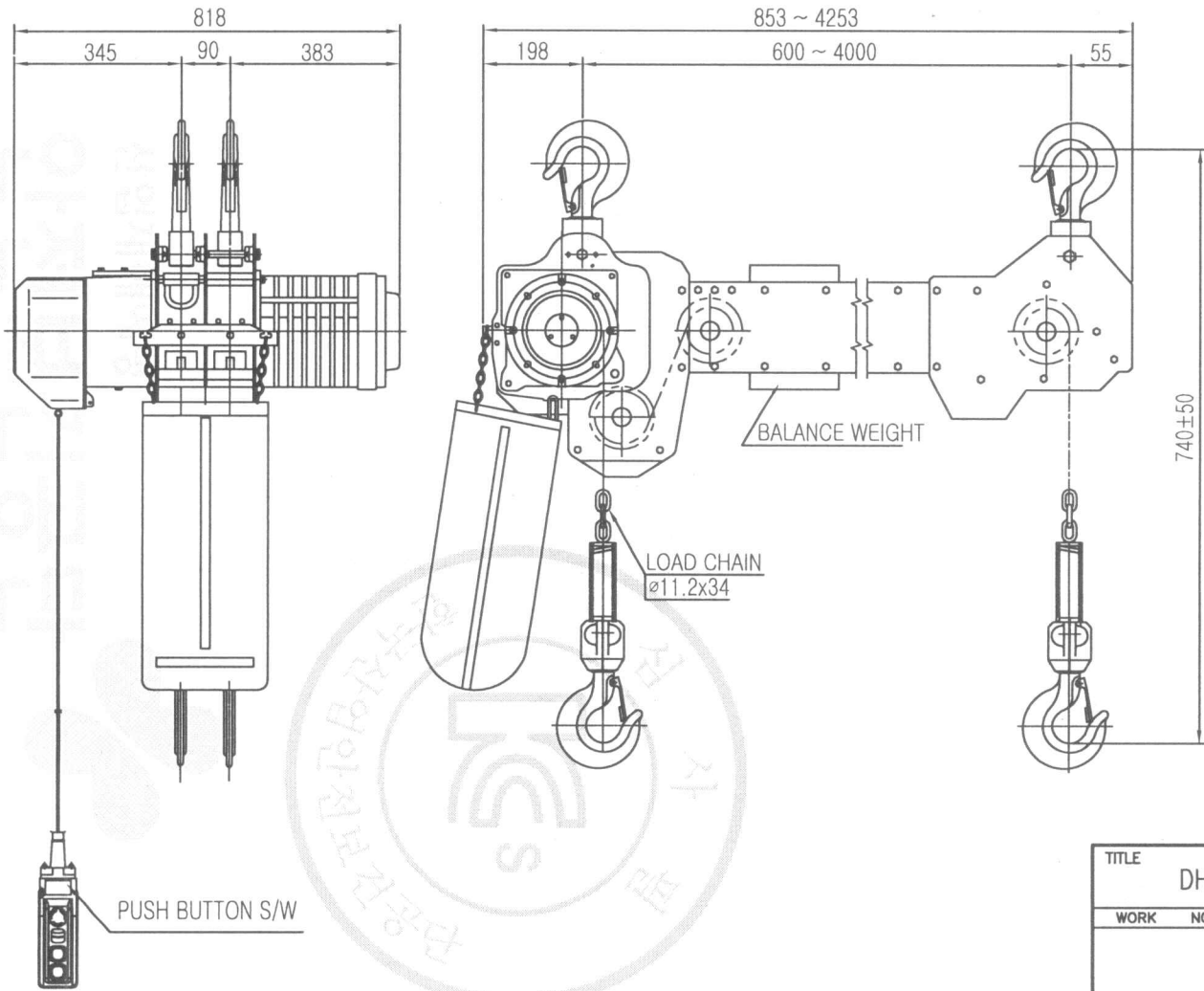
REV.NO	DATE	REVISION DESCRIPTION	DRAWN	CHECKED	APPROVED

TITLE					PROJECTION	
DHDB-2S ELECTRIC CHAIN HOIST						
WORK NO	WORK NAME				SCALE	Q' TY
	CONNECTOR TYPE				N.S	1
DRAWN	CHECKED	REVIEWED	APPROVED	DRAWING NO		
김 창 기				CORD NO		
2010.08.01						

ON 5MG

# L K HOIST

NO	DESCRIPTION	SIZE	MAT' L	Q' TY	WT (kg)	REMARKS



SPECIFICATION		
RATED	2.0	TON
TESTING LOAD	2.5	TON
LIFTING HEIGHT	40	M
HOISTING	SPEED	8.1/2.7 M/MIN
	MOTOR	4.4/2.2KW x 2/6P
TRAVERSING	SPEED	-
	MOTOR	-
POWER SUPPLY	AC220,380,440,460,480 V x 3ø x 60 Hz	
OPERATING METHOD	P.B type ON . FL	
LOAD CHAIN	ø11.2 x 34 (1FALL)	
WIEGHT	497 KG	

- NOTE)
- 1) 점검 설비를 갖출것.
  - 2) 인허가 서류를 완성검사서 제출할것.

물범복제 및 배포금지

REV.NO	DATE	REVISION	DESCRIPTION	DRAWN	CHECKED	APPROVED

TITLE					PROJECTION	
DHDB-2S ELECTRIC CHAIN HOIST						
WORK NO	WORK NAME				SCALE	Q' TY
	HOOK TYPE				N.S	1
DRAWN	CHECKED	REVIEWED	APPROVED	DRAWING NO		
김 창 기				CORD NO		
2010.08.01						
L K HOIST CO., LTD.						