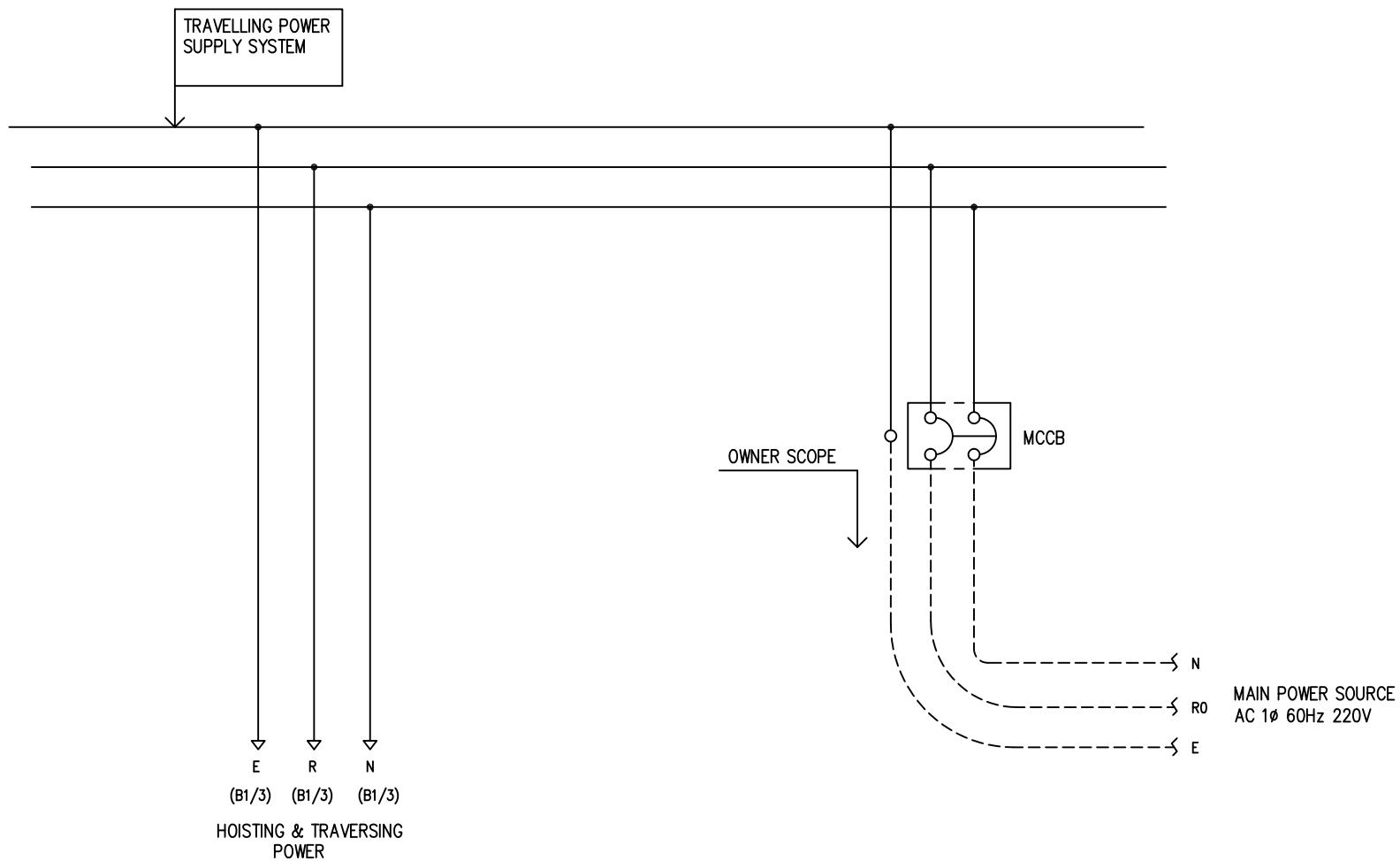


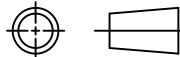

POWER CIRCUIT
TRAVELLING POWER SUPPLY SYSTEM

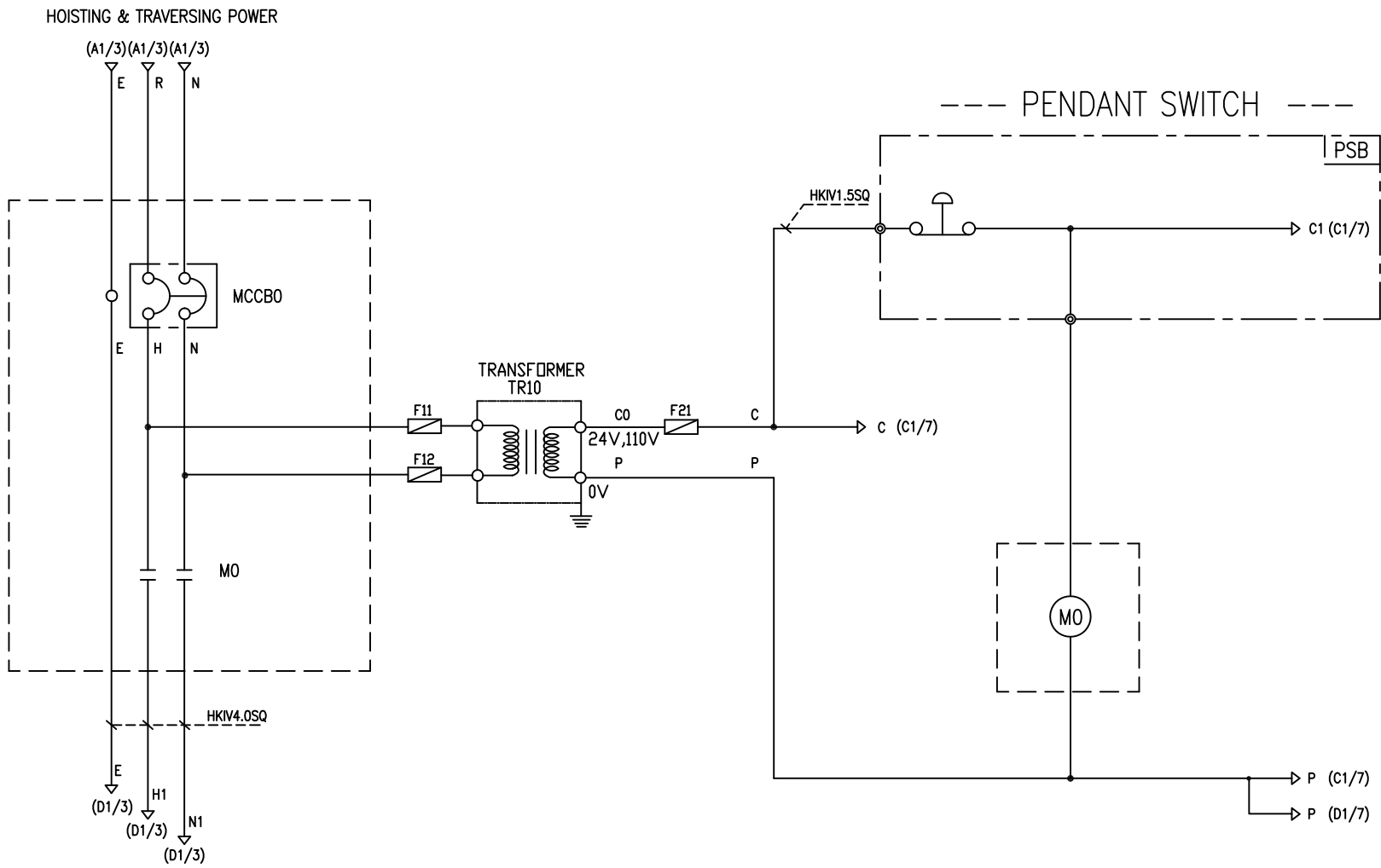
ADDRESS NO.
A1



-NOTE-

- 1. - - - - MARKED OWNER SCOPE
- 2. ——— MARKED CRAIN MAKER SCOPE

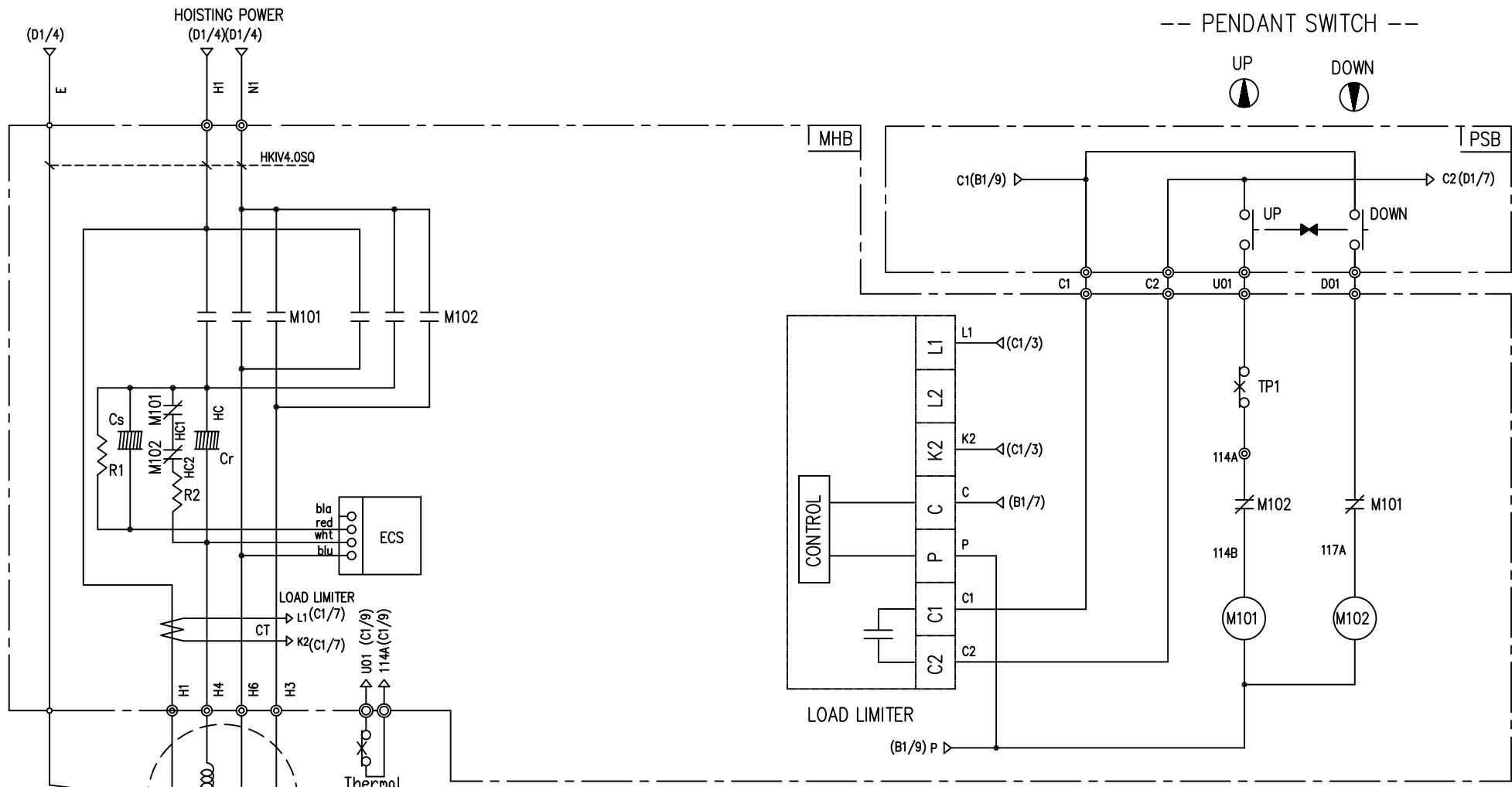
| | | | | | |
|--|--------------------------|----------|----------|---|------------|
| TITLE MAIN POWER CIRCUIT DIAGRAM1 | | | | PROJECTION  | |
| WORK NO 601 | WORK NAME LTM 220V | | | SCALE 1/1 | Q' TY 1 |
| DRAWN LEE G.H. 2015.10.01 | CHECKED | REVIEWED | APPROVED | DRAWING NO | CODE NO |
|  L K HOIST CO., LTD. | | | | | |



-NOTE-
1. ----- MARKER OWNER SCOPE

| SPECIFICATION | NO FUSE BREAKER | MAGNET CONTACT | | TRANSFORMER | FUSE |
|---------------|-----------------|----------------|-------|-------------|---------------|
| SYMBOLS | MCCB0 | MO | | TR10 | F11, F12, F21 |
| DESCRIPTION | 50A | GMC18 | DMC18 | 30VA | 1A |
| MAKER | LS | LS | DONGA | YOUNGDONG | - |

| | | | | | | | |
|--------------------------------------|-----------|--|--|--|--|------------|-------|
| TITLE | | | | | | PROJECTION | |
| MAIN POWER & CONTROL CIRCUIT DIAGRAM | | | | | | | |
| WORK NO | WORK NAME | | | | | SCALE | Q' TY |
| 602 | LTM | | | | | 1/1 | 1 |
| DRAWN | | | | | | DRAWING NO | LTM |
| LEE.G.H | | | | | | CODE NO | |
| 2015.10.01 | | | | | | | |
| | | | | | | | |



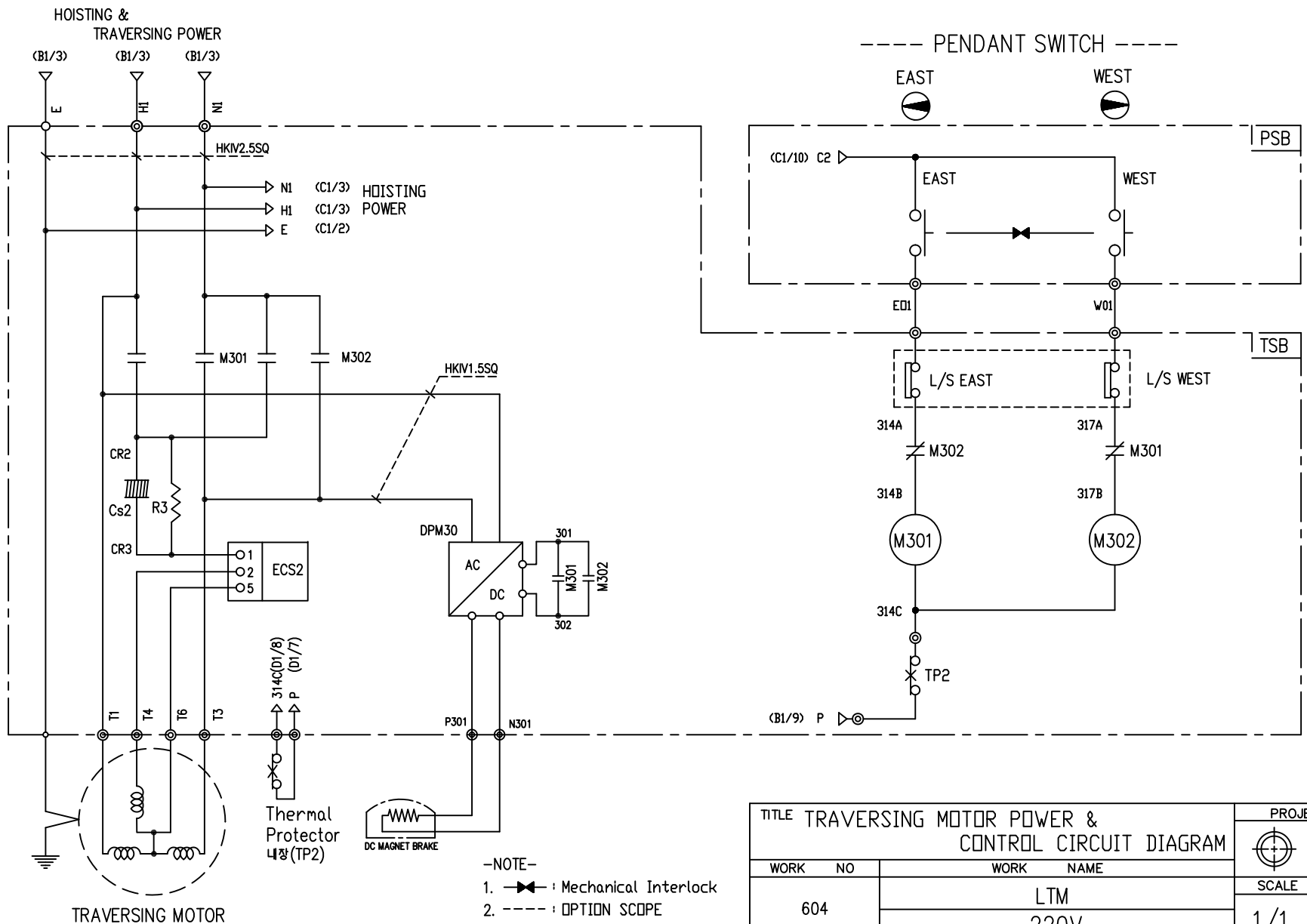
| | |
|---------------|------------|
| SPECIFICATION | RESISTANCE |
| SYMBOLS | R1, R2 |
| DESCRIPTION | 3K OHM |
| MAKER | - |

| | | | | | | |
|---------------|----------------|-----------|--------------|-------------------|---------------------------|-------------|
| SPECIFICATION | MAGNET CONTACT | RUN REALY | LOAD LIMITER | Thermal Protector | CONDENSER | HOIST MOTOR |
| SYMBOLS | M101, M102 | ECS | - | TP1 | Cs Cr | HM |
| DESCRIPTION | DMC22b | 224L | LKDL-50A | 17AM032 | 250V 100UF 370V 25UF | 1.5Kw * 4P |
| MAKER | DONGA | SAMUSCO | LK | Texas Instruments | DIGITAL TEC | LK |

-NOTE-

1. : Mechanical Interlock

| | | | | | | | |
|---|---------|-------------|----------|---------|-----|---------------------|--|
| TITLE HOIST POWER & CONTROL CIRCUIT DIAGRAM | | | | | | PROJECTION | |
| WORK NO | | WORK NAME | | | | SCALE | |
| 603 | | LTM 220V | | | | Q' TY 1/1 1 | |
| DRAWN | CHECKED | REVIEWED | APPROVED | MODEL | LTM | | |
| LEE.G.H | | | | CODE NO | | | |
| 2015.10.01 | | | | | | | |
| L K HOIST CO., LTD. | | | | | | | |



-NOTE-

- : Mechanical Interlock
- : OPTION SCOPE

| | |
|---------------|------------|
| SPECIFICATION | RESISTANCE |
| SYMBOLS | R3 |
| DESCRIPTION | 10K OHM |
| MAKER | - |

| | | | | | | |
|---------------|----------------|-----------|-------------------|-------------|------------------|------------------|
| SPECIFICATION | MAGNET CONTACT | RUN REALY | Thermal Protector | CONDENSER | SILCON RECTIFIER | TRAVERSING MOTOR |
| SYMBOLS | M301, M302 | ECS2 | TP2 | Cs2 | DPM30 | TM |
| DESCRIPTION | DMC12b | 125P | 17AM032 | 125V400UF | AC220V DC99V | 0.5KW *4P |
| MAKER | DONGA | SAMUSCO | Texas Instruments | DIGITAL TEC | LK | LK |

| | | | | | | | |
|--|---------|-------------|----------|---------|-----|------------|--|
| TITLE TRAVERSING MOTOR POWER & CONTROL CIRCUIT DIAGRAM | | | | | | PROJECTION | |
| WORK NO | | WORK NAME | | | | SCALE | |
| 604 | | LTM 220V | | | | Q' TY | |
| 1/1 | | 1 | | | | | |
| DRAWN | CHECKED | REVIEWED | APPROVED | MODEL | LTM | | |
| LEE.G.H | | | | CODE NO | | | |
| 2015.10.01 | | | | | | | |
| L K HOIST CO., LTD. | | | | | | | |

SCHEDULE OF TECHNICAL DATA

| | |
|---|-----------------------------|
| 1. SERVICE | HOISTING |
| 2. MANUFACTURE | LK HOIST CO. LTD |
| 3. MOTOR MODEL NO | 1.5 - 4 - 22 |
| 4. RATED POWER | 1.5 KW × 4 P |
| 5. RATED VOLTAGE AND FREQUENCY | 220 V 60HZ |
| 6. MOTOR TYPE | SQUIRREL CAGE ROTOR TYPE |
| 7. RATING | 20 MIN |
| 8. LOCATION | IN-DOOR , OUTDOOR |
| 9. INSULATION CLASS | B |
| 10. DESIGN TEMPERATURE RISE (BY RESISTANCE) | 80°C |
| 11. FULL LOAD SPEED | 1710 RPM |
| 12. FULL LOAD CURRENT | 14.2 A |
| 13. STARTING CURRENT AT RATED VOLTAGE | 39.5 A |
| 14. MINIMUM STARTING VOLTAGE | 198 V |
| 15. EFFICIENCY AT 100% RATED LOAD | 75.1 % |
| 16. POWER FACTOR AT 100% RATED LOAD | 70.2 % |
| 17. TYPE OF ENCLOSURE | TENV |
| 18. TYPE OF BEARING | PL : 6204DD OPL : 6205ZZ |
| 19. MOUNTING | VERTICAL |
| 20. MAXIMUM AMBIENT TEMPURE | 40°C |
| 21. BEARING LUBRICATION | GREASE |
| 22. STARTING METHOD | CONDENSER |

SCHEDULE OF TECHNICAL DATA

| | |
|---|-----------------------------|
| 1. SERVICE | TRAVERSING |
| 2. MANUFACTURE | LK HOIST CO. LTD |
| 3. MOTOR MODEL NO | 0.5 - 4 - 22 |
| 4. RATED POWER | 0.5 KW × 4 P |
| 5. RATED VOLTAGE AND FREQUENCY | 220 V 60HZ |
| 6. MOTOR TYPE | SQUIRREL CAGE ROTOR TYPE |
| 7. RATING | 15 MIN |
| 8. LOCATION | IN-DOOR , OUTDOOR |
| 9. INSULATION CLASS | B |
| 10. DESIGN TEMPERATURE RISE (BY RESISTANCE) | 80°C |
| 11. FULL LOAD SPEED | 1690 RPM |
| 12. FULL LOAD CURRENT | 5.8 A |
| 13. STARTING CURRENT AT RATED VOLTAGE | 23.2 A |
| 14. MINIMUM STARTING VOLTAGE | 198 V |
| 15. EFFICIENCY AT 100% RATED LOAD | 62 % |
| 16. POWER FACTOR AT 100% RATED LOAD | 62.5 % |
| 17. TYPE OF ENCLOSURE | TENV |
| 18. TYPE OF BEARING | PL : 6204DD OPL : 6205ZZ |
| 19. MOUNTING | VERTICAL |
| 20. MAXIMUM AMBIENT TEMPURE | 40°C |
| 21. BEARING LUBRICATION | GREASE |
| 22. STARTING METHOD | CONDENSER |