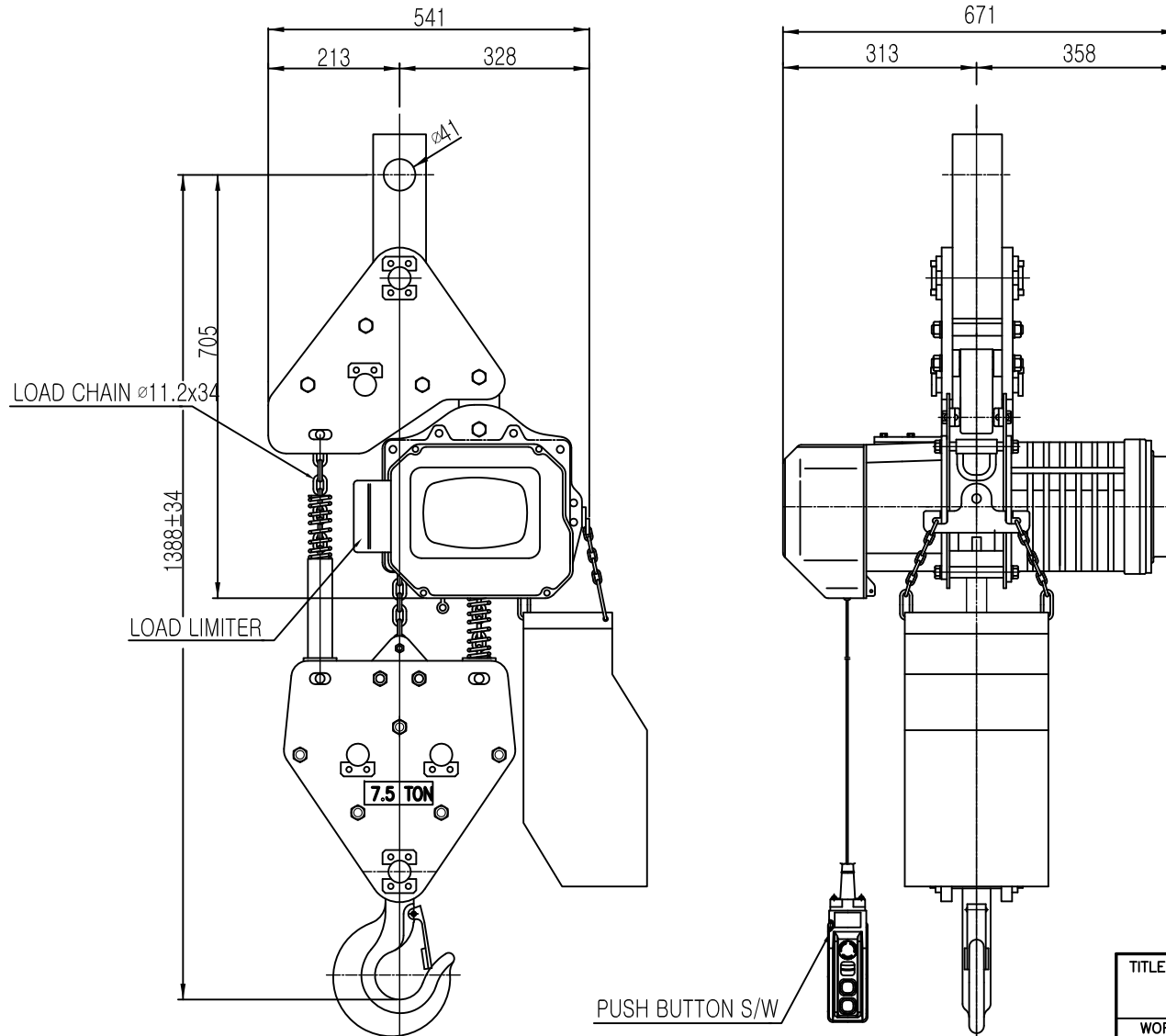


L K HOIST

ON DRAWING

| NO | DESCRIPTION | SIZE | MAT'L | Q'TY | WT (kg) | REMARKS |
|----|-------------|------|-------|------|---------|---------|
| | | | | | | |



| SPECIFICATION | | |
|------------------|----------------------------------|--------------|
| HOISTING LOAD | 7.5 | TON |
| TESTING LOAD | 9.375 | TON |
| LIFTING HEIGHT | 50 | M |
| HOISTING | SPEED | 2.1 M/MIN |
| | MOTOR | 3.5 KW x 4P |
| TRAVERSING | SPEED | - M/MIN |
| | MOTOR | - KW x - SET |
| POWER SUPPLY | AC 220,380,440,460,480Vx3φx60 Hz | |
| OPERATING METHOD | P.B type ON . FL | |
| LOAD CHIN | φ11.2 x 34 (3 FALL) | |
| WEIGHT | 633 KG | |

NOTE)

- 1) 점검 설비를 갖출것.
- 2) 인허가 서류를 완성검사시 제출할것.

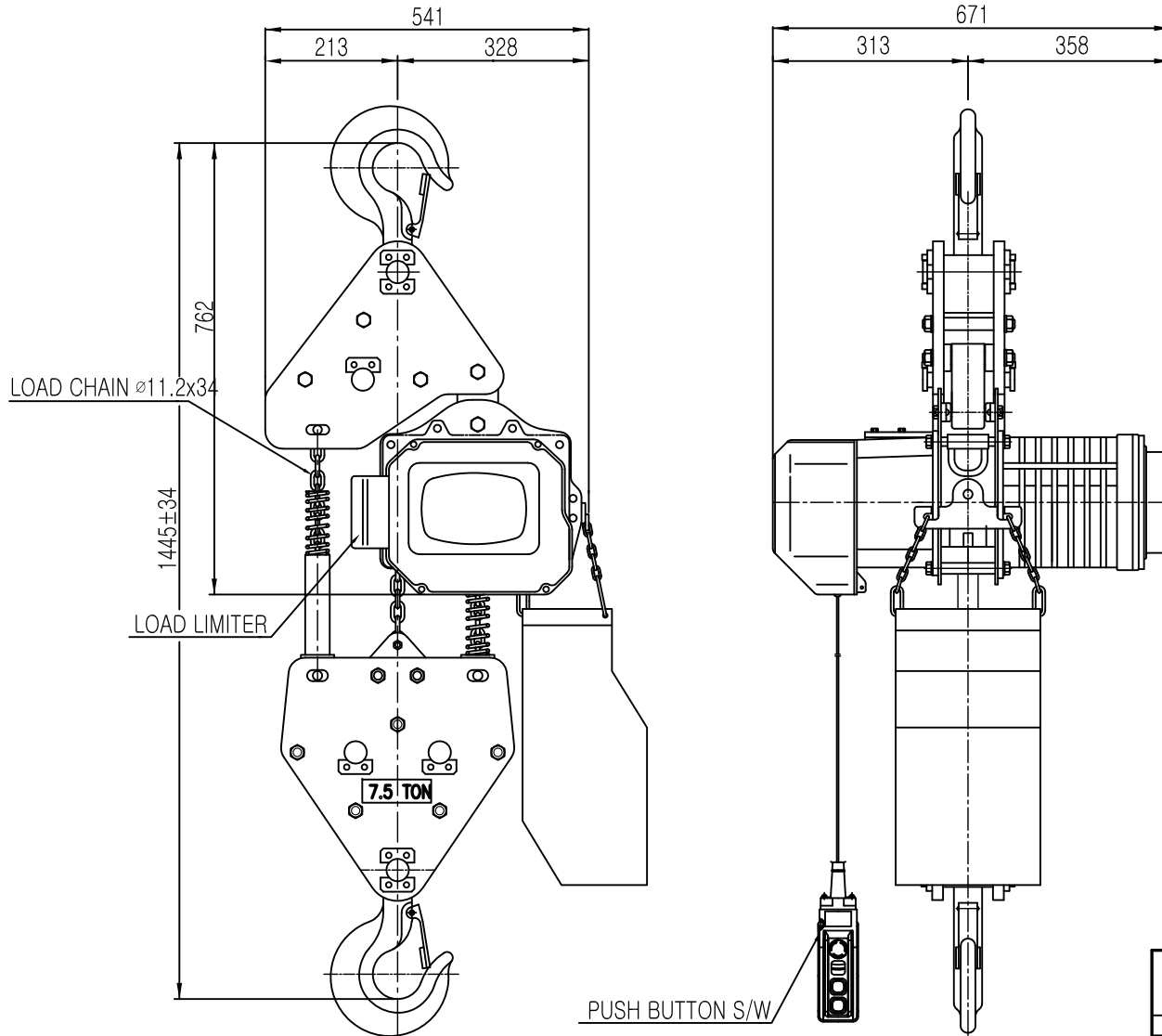
| REV.NO | DATE | REVISION | DESCRIPTION | DRAWN | CHECKED | APPROVED |
|--------|------|----------|-------------|-------|---------|----------|
| | | | | | | |

| TITLE | | | | PROJECTION | |
|------------------------------|----------------|----------|----------|------------|------|
| DA-7.5W ELECTRIC CHAIN HOIST | | | | | |
| WORK NO | WORK NAME | | | SCALE | Q'TY |
| | CONNECTOR TYPE | | | N S | 1 |
| DRAWN | CHECKED | REVIEWED | APPROVED | DRAWING NO | |
| 김 창 기 | | | | | |
| 2010.07.27 | | | | | |
| | | | | | |

L K HOIST

ON DRAWING

| NO | DESCRIPTION | SIZE | MAT'L | Q'TY | WT (kg) | REMARKS |
|----|-------------|------|-------|------|---------|---------|
| | | | | | | |



| SPECIFICATION | | | |
|------------------|--------------------------------------|-----|------------|
| HOISTING LOAD | 7.5 | TON | |
| TESTING LOAD | 9.375 | TON | |
| LIFTING HEIGHT | 50 | M | |
| HOISTING | SPEED | 2.1 | M/MIN |
| | MOTOR | 3.5 | KW x 4P |
| TRAVERSING | SPEED | - | M/MIN |
| | MOTOR | - | KW x - SET |
| POWER SUPPLY | AC 220,380,440,460,480V x 3ø x 60 Hz | | |
| OPERATING METHOD | P.B type ON . FL | | |
| LOAD CHIN | ø11.2 x 34 (3 FALL) | | |
| WEIGHT | 633 KG | | |

NOTE)

- 1) 점검 설비를 갖출것.
- 2) 인허가 서류를 완성검사시 제출할것.

| REV.NO | DATE | REVISION | DESCRIPTION | DRAWN | CHECKED | APPROVED |
|--------|------|----------|-------------|-------|---------|----------|
| | | | | | | |

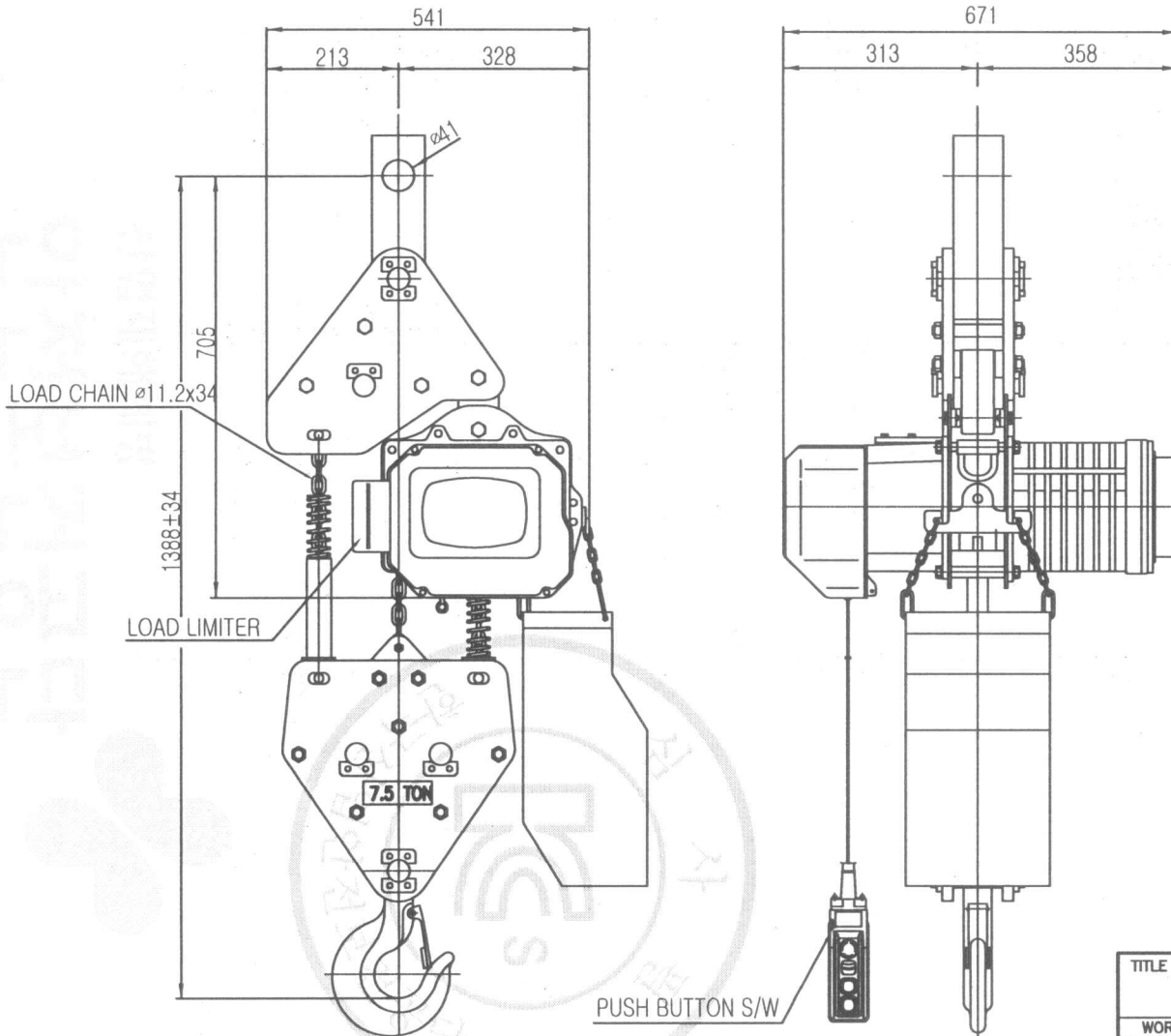
| TITLE | | | | | PROJECTION | | |
|-------------------------------------|-----------|----------|----------|------------|------------|-------|--|
| DA-7.5W ELECTRIC CHAIN HOIST | | | | | | | |
| WORK NO | WORK NAME | | | | SCALE | Q' TY | |
| | HOOK TYPE | | | | N S | 1 | |
| DRAWN | CHECKED | REVIEWED | APPROVED | DRAWING NO | | | |
| 김 창 기 | | | | | | | |
| 2010.07.27 | | | | | | | |

L K HOIST CO., LTD.

L K HOIST

ON DRAWING

| NO | DESCRIPTION | SIZE | MAT'L | Q'TY | WT (kg) | REMARKS |
|----|-------------|------|-------|------|---------|---------|
| | | | | | | |



| SPECIFICATION | | | |
|------------------|------------------------------------|-----|------------|
| HOISTING LOAD | 7.5 | TON | |
| TESTING LOAD | 9.375 | TON | |
| LIFTING HEIGHT | 50 | M | |
| HOISTING | SPEED | 2.1 | M/MIN |
| | MOTOR | 3.5 | KW x 4P |
| TRAVERSING | SPEED | - | M/MIN |
| | MOTOR | - | KW x - SET |
| POWER SUPPLY | AC 220,380,440,460,480Vx3ø x 60 Hz | | |
| OPERATING METHOD | P.B type ON . FL | | |
| LOAD CHIN | ø11.2 x 34 (3 FALL) | | |
| WEIGHT | 633 KG | | |

NOTE)

- 1) 점검 설비를 갖출것.
- 2) 인허가 서류를 완성검사시 제출할것.

물범복제 및 배포금지

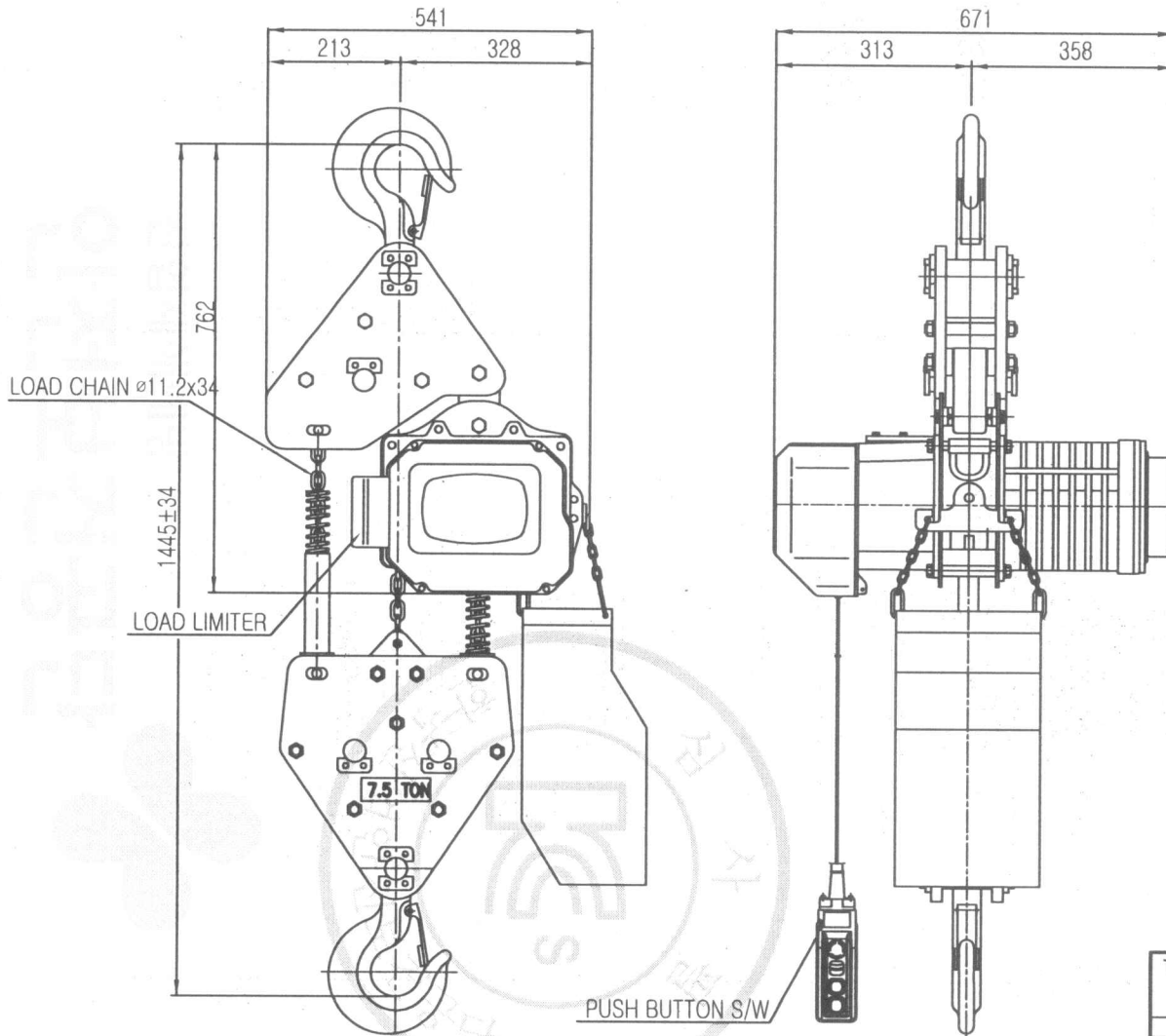
| REV.NO | DATE | REVISION DESCRIPTION | DRAWN | CHECKED | APPROVED |
|--------|------|----------------------|-------|---------|----------|
| | | | | | |

| TITLE | | | | | PROJECTION | |
|------------------------------|----------------|----------|----------|------------|------------|------|
| DA-7.5W ELECTRIC CHAIN HOIST | | | | | | |
| WORK NO | WORK NAME | | | | SCALE | Q'TY |
| | CONNECTOR TYPE | | | | N S | 1 |
| DRAWN | CHECKED | REVIEWED | APPROVED | DRAWING NO | | |
| 김 창 기 | | | | | | |
| 2010.07.27 | | | | | | |
| L K HOIST CO., LTD. | | | | | | |

L K HOIST

ON ONMYJJO

| NO | DESCRIPTION | SIZE | MAT'L | Q'TY | WT (kg) | REMARKS |
|----|-------------|------|-------|------|---------|---------|
| | | | | | | |



SPECIFICATION

| | | |
|------------------|--|--------------|
| HOISTING LOAD | 7.5 | TON |
| TESTING LOAD | 9.375 | TON |
| LIFTING HEIGHT | 50 | M |
| HOISTING | SPEED | 2.1 M/MIN |
| | MOTOR | 3.5 KW x 4P |
| TRAVERSING | SPEED | - M/MIN |
| | MOTOR | - KW x - SET |
| POWER SUPPLY | AC 220,380,440,460,480V x 3 ϕ x 60 Hz | |
| OPERATING METHOD | P.B type ON . FL | |
| LOAD CHIN | $\phi 11.2 \times 34$ (3 FALL) | |
| WEIGHT | 633 KG | |

NOTE)

- 1) 점검 설비를 갖출것.
- 2) 인허가 서류를 완성검사시 제출할것.

물범복제 및 배포금지

| TITLE | | | | | PROJECTION | | |
|------------------------------|-----------|----------|----------|------------|------------|-------|--|
| DA-7.5W ELECTRIC CHAIN HOIST | | | | | | | |
| WORK NO | WORK NAME | | | | SCALE | Q' TY | |
| | HOOK TYPE | | | | N S | 1 | |
| DRAWN | CHECKED | REVIEWED | APPROVED | DRAWING NO | | | |
| 김창기 | | | | | | | |
| 2010.07.27 | | | | | | | |
| L K HOIST CO., LTD. | | | | | | | |

| REV. NO | DATE | REVISION | DESCRIPTION | DRAWN | CHECKED | APPROVED |
|---------|------|----------|-------------|-------|---------|----------|
| | | | | | | |