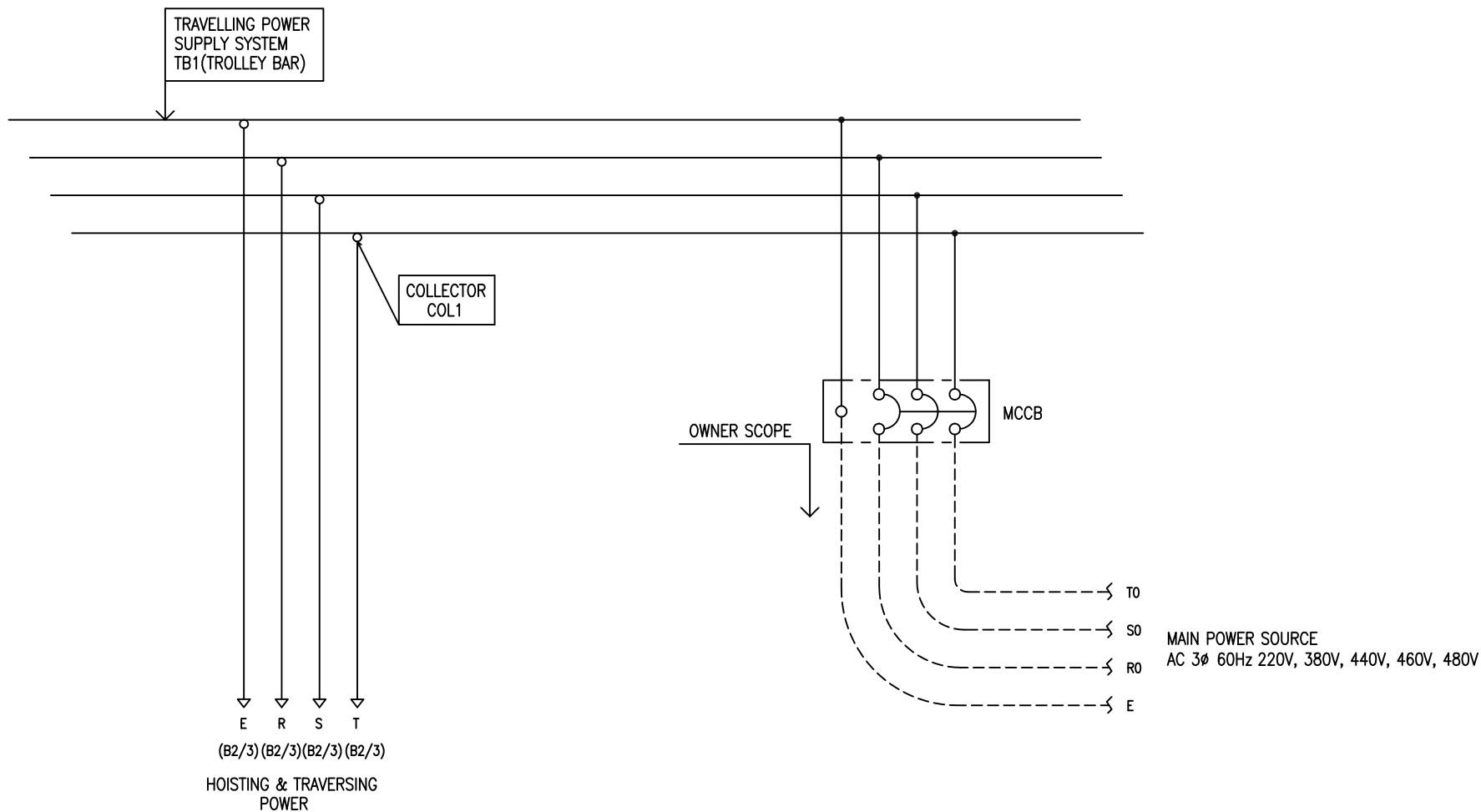


POWER CIRCUIT  
TRAVELLING POWER SUPPLY SYSTEM

ADDRESS NO.  
A2



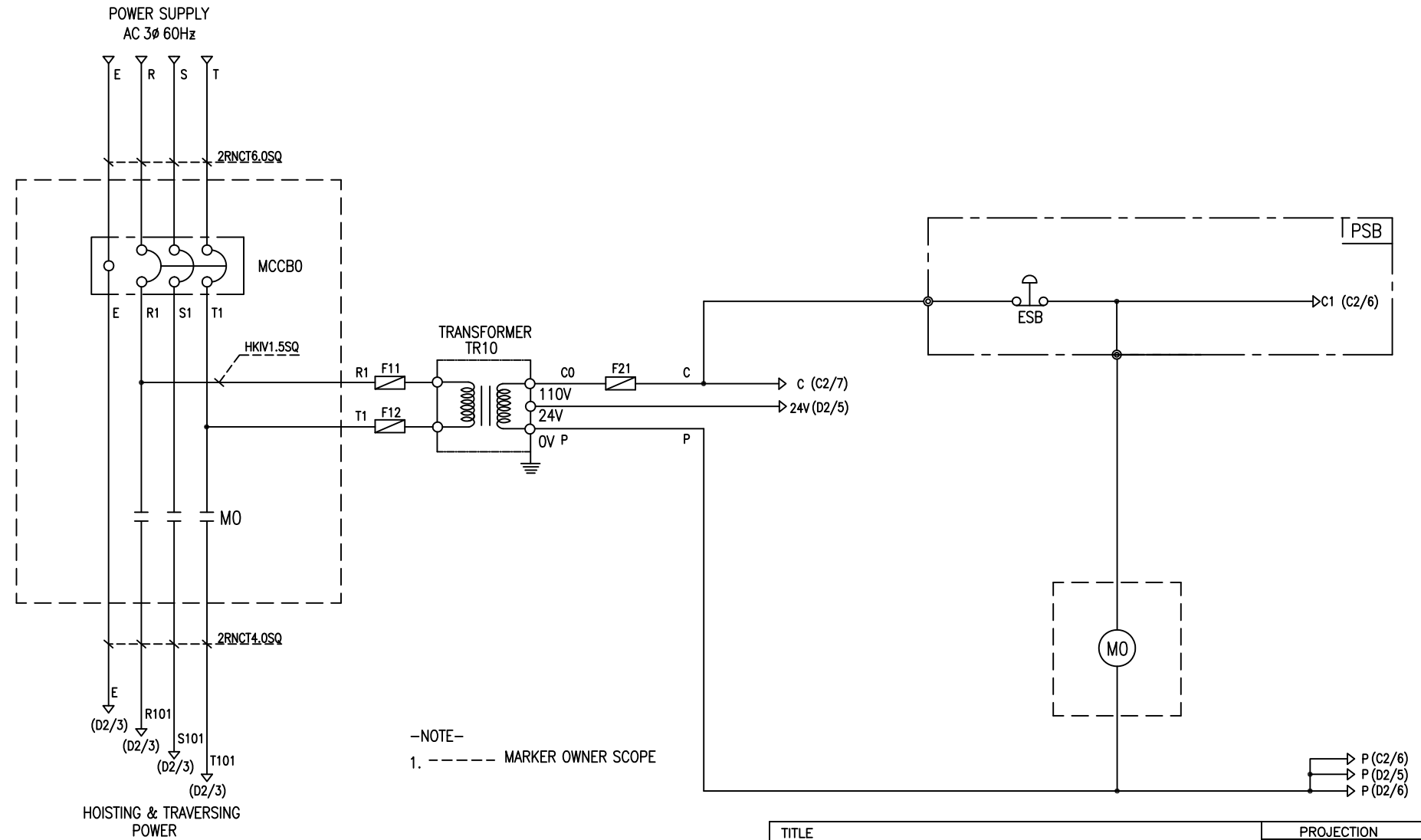
-NOTE-

- 1. - - - - MARKED OWNER SCOPE
- 2. ———— MARKED CRAIN MAKER SCOPE

TITLE MAIN POWER CIRCUIT DIAGRAM1				PROJECTION 	
WORK NO	WORK NAME		SCALE		Q' TY
601	HOISTING & TRAVERSING 220V, 380V, 440V, 460V, 480V		1/1	1	
DRAWN	CHECKED	REVIEWED	APPROVED	DRAWING NO	
LEE G.H.				CODE NO	
2018.04.02					
L K HOIST CO., LTD.					

POWER CIRCUIT

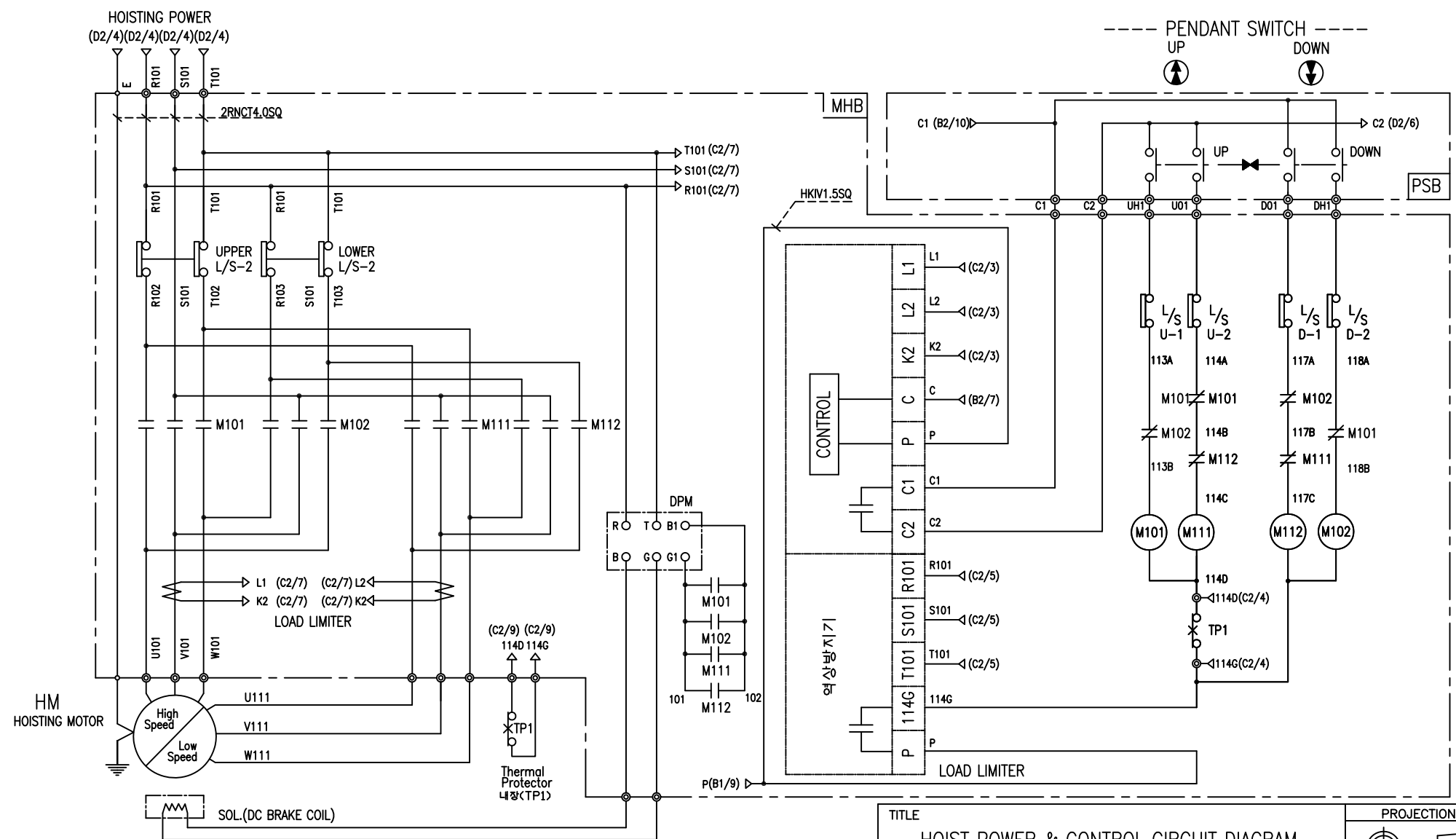
CONTROL CIRCUIT



-NOTE-  
1. ----- MARKER OWNER SCOPE

SPECIFICATION	NO FUSE BREAKER	MAGNET CONTACT	TRANSFORMER	FUSE		
SYMBOLS	MCCBO	MO	TR10	F11, F12, F21		
DESCRIPTION	220V	50A	GMC22	DMC-22	60VA	1A
	380V	40A				
	440V	30A				
	460V	30A				
	480V	30A				
MAKER	LS	LS	DONGA	LK	-	

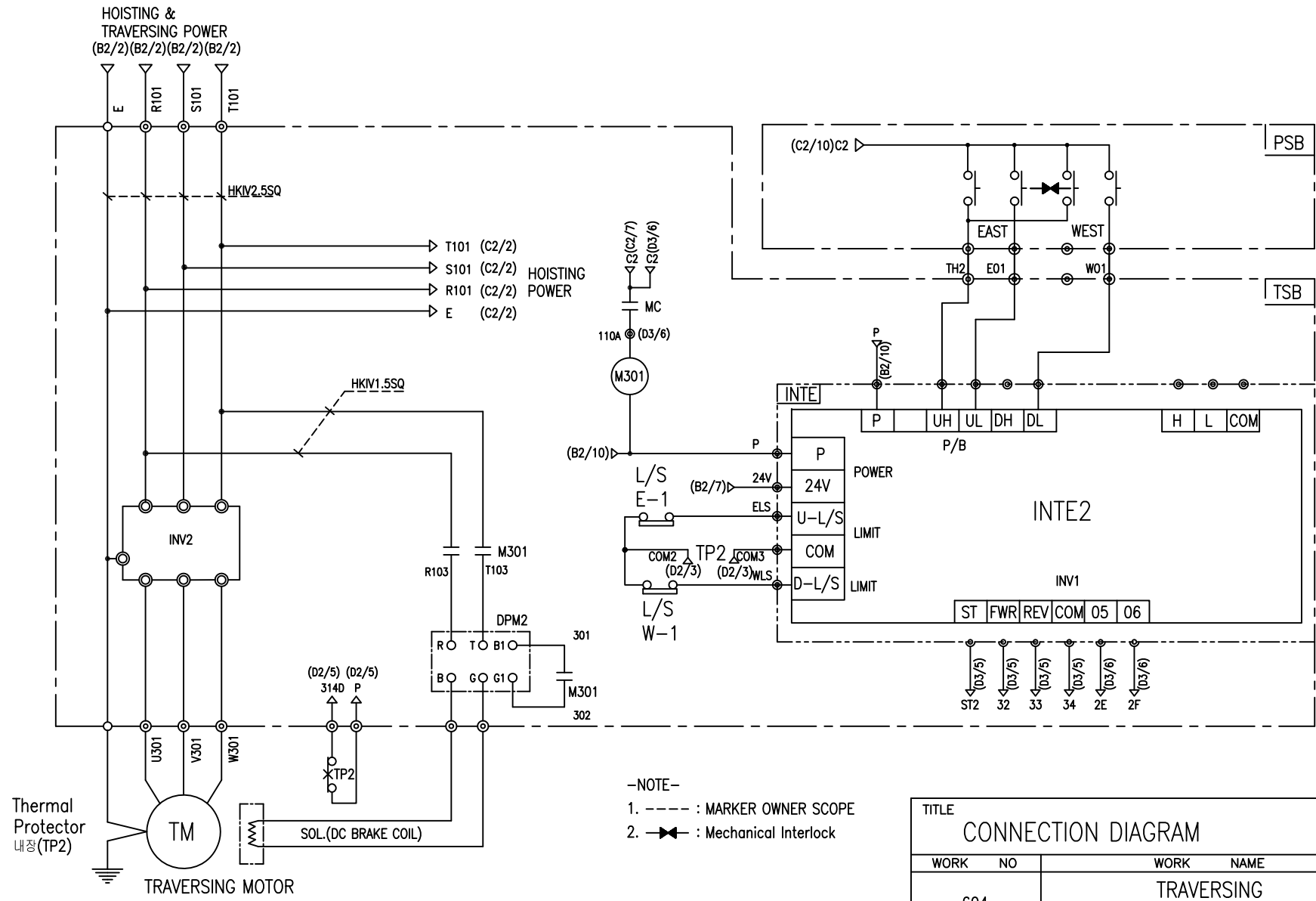
TITLE MAIN POWER & CONTROL CIRCUIT DIAGRAM						PROJECTION 	
WORK NO 602		WORK NAME HOISTING				SCALE 1/1	Q' TY 1
220V, 380V, 440V, 460V, 480V							
DRAWN LEE.G.H	CHECKED	REVIEWED	APPROVED	MODEL			
2018.04.02				CODE NO			



-NOTE-  
1. : Mechanical Interlock

SPECIFICATION	MAGNET CONTACT	LOAD LIMITER	SILICON RECTIFIER				Thermal Protector	HOIST MOTOR
SYMBOLS	M101, M102 M103, M104	-	DPM				TP1	HM
DESCRIPTION	DMC22	LKDL-60A	AC220V	AC380V	AC440V	AC460V	AC480V	4.4Kw * 2P/2.2Kw*6P
MAKER	DONG-A	LK	DC99V	DC171V	DC198V	DC207V	DC216V	Texas Instruments

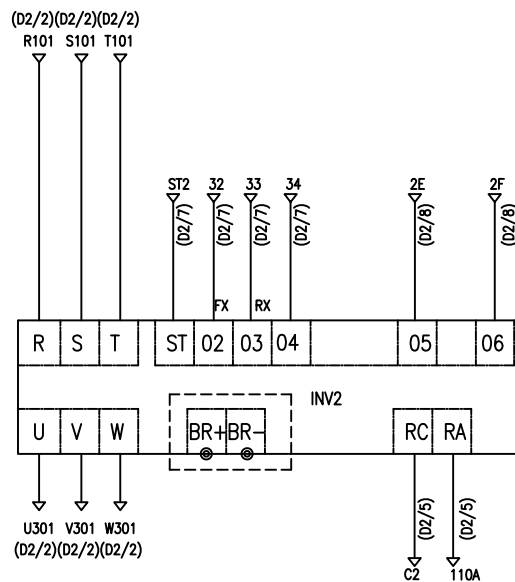
TITLE <b>HOIST POWER &amp; CONTROL CIRCUIT DIAGRAM</b>				PROJECTION 	
WORK NO.	WORK NAME			SCALE	Q' TY
603	HOISTING(DB)			1/1	1
220V, 380V, 440V, 460V, 480V					
DRAWN	CHECKED	REVIEWED	APPROVED	MODEL	
LEE.G.H				CODE NO	
2018.04.02					
<b>L K HOIST CO., LTD.</b>					



- NOTE-
1. - - - - : MARKER OWNER SCOPE
  2. —|> : Mechanical Interlock

TITLE <b>CONNECTION DIAGRAM</b>				PROJECTION 	
WORK NO. 604	WORK NAME TRAVERSING			SCALE	Q' TY
220V, 380V, 440V, 460V, 480V					
DRAWN LEE.G.H	CHECKED	REVIEWED	APPROVED	MODEL	
2018.04.02				CODE NO	CODE_NO
<b>L K HOIST CO., LTD.</b>					

SPECIFICATION	MAGNET CONTACT	SILICON RECTIFIER					Thermal Protector	HOIST MOTOR
SYMBOLS	M301	DPM2					TP2	TM
DESCRIPTION	DMC12b	AC220V	AC380V	AC440V	AC460V	AC480V	17AM032	0.75Kw * 4P
		DC99V	DC171V	DC198V	DC207V	DC216V		0.4Kw * 6P
MAKER	DONG-A	LK					Texas Instruments	LK

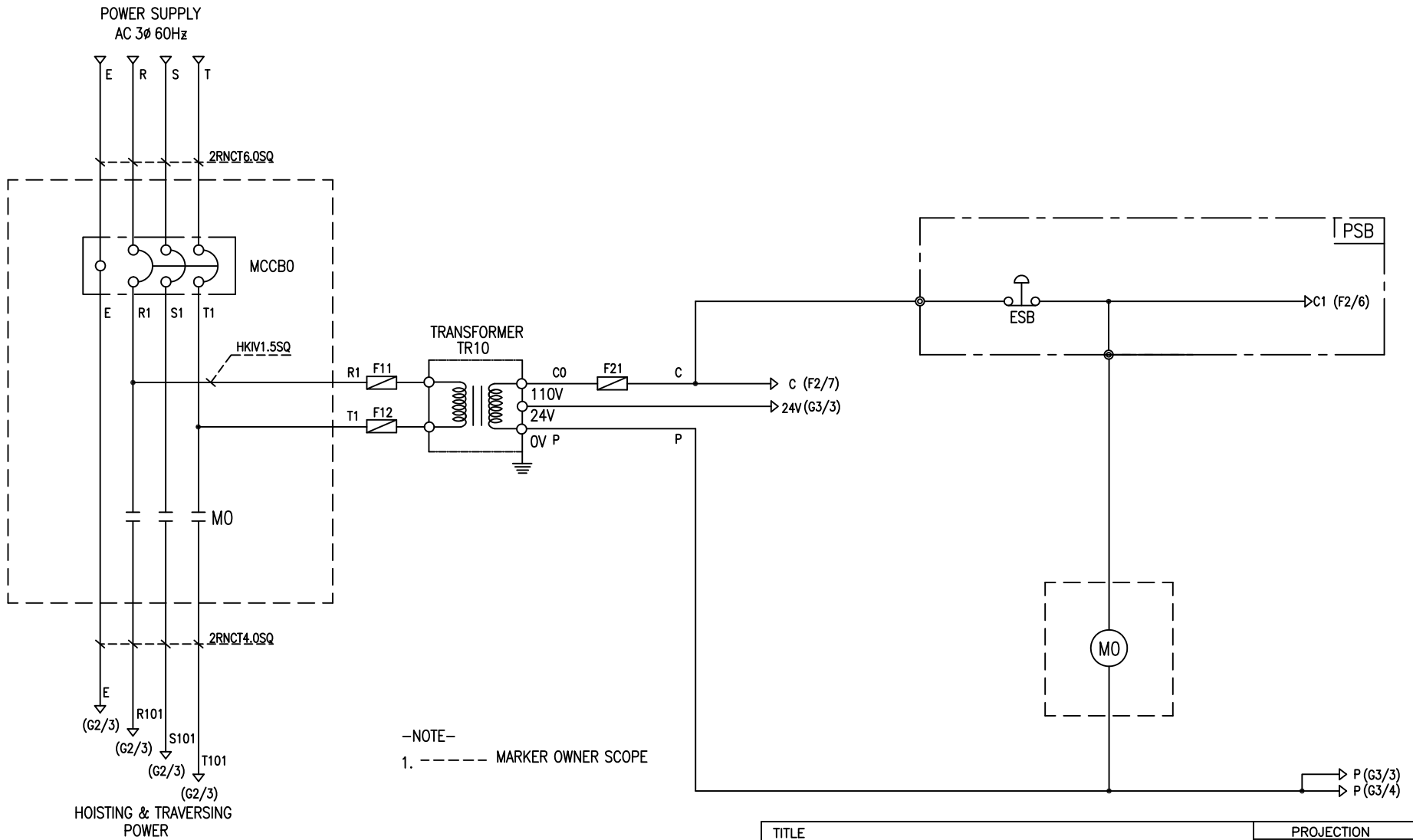


-NOTE-

1. - - - - : OPTION SCOPE

SPECIFICATION	INVERTER	BRAKING RESISTOR
SYMBOLS	INV2	BR
DESCRIPTION	0.75KW	80W 750 OHM
MAKER	ROCKWELL or LS	-

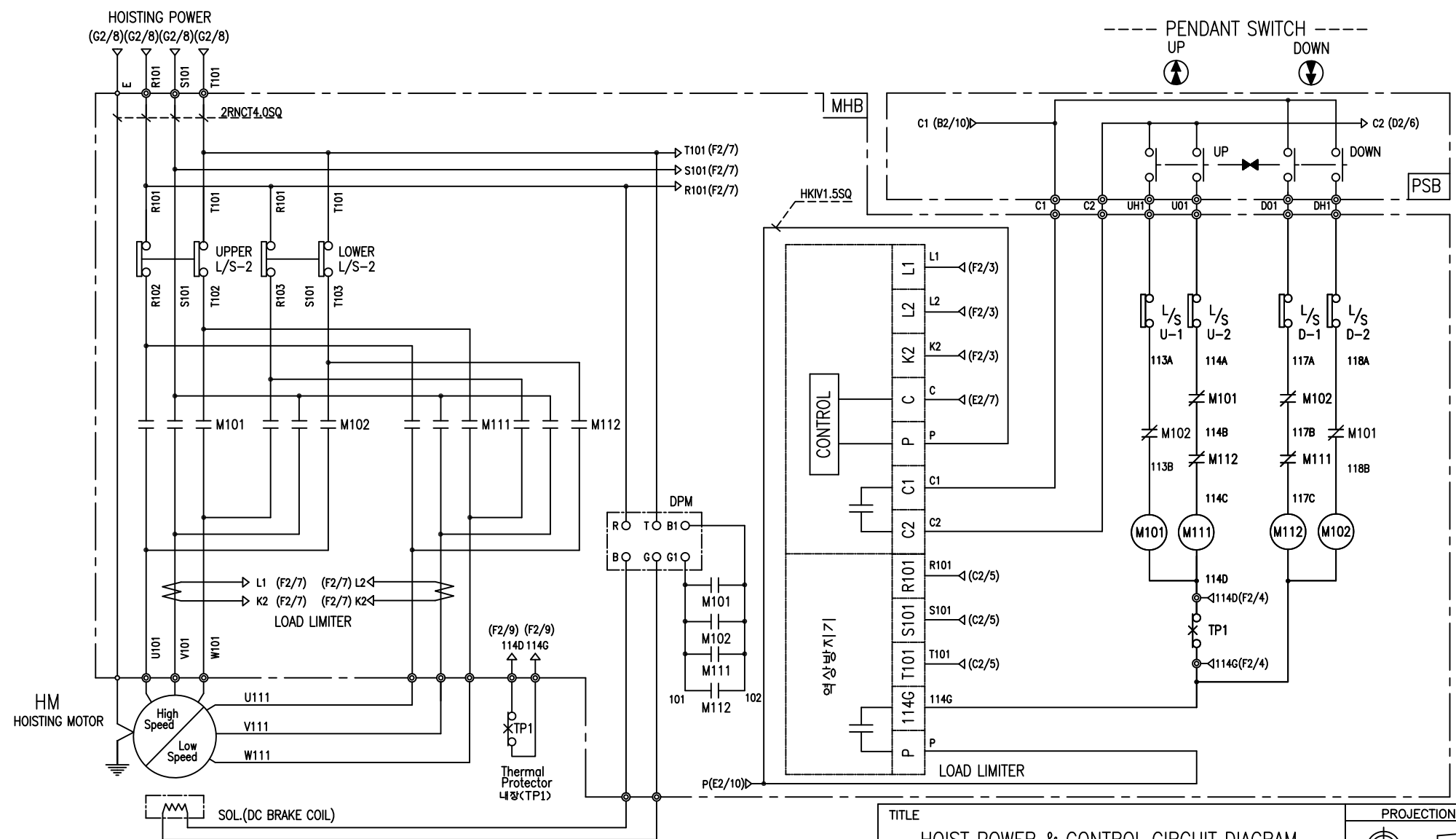
TITLE				(D1/6) PROJECTION	
INVERTER CONTROL CIRCUIT DIAGRAM					
WORK NO	WORK NAME			SCALE	Q' TY
605	TRAVERSING			1/1	1
220V, 380V, 440V, 460V, 480V					
DRAWN	CHECKED	REVIEWED	APPROVED	MODEL	
LEE.G.H				CODE NO	
2018.04.02					
<b>L K HOIST CO., LTD.</b>					



-NOTE-  
1. ----- MARKER OWNER SCOPE

SPECIFICATION	NO FUSE BREAKER	MAGNET CONTACT	TRANSFORMER	FUSE		
SYMBOLS	MCCBO	MO	TR10	F11, F12, F21		
DESCRIPTION	220V	50A	GMC22	DMC-22	60VA	1A
	380V	40A				
	440V	30A				
	460V	30A				
	480V	30A				
MAKER	LS	LS	DONGA	LK	-	

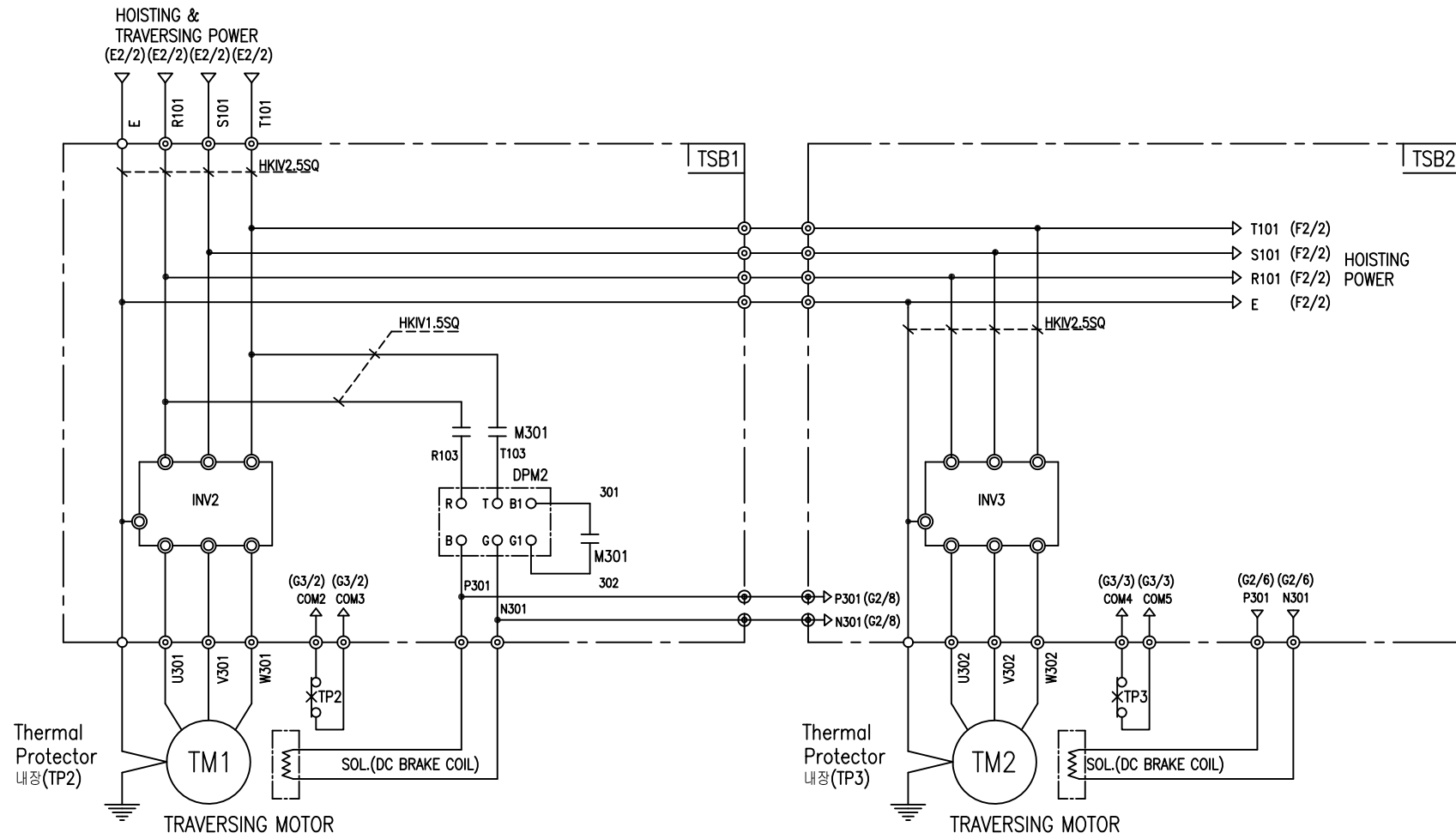
TITLE MAIN POWER & CONTROL CIRCUIT DIAGRAM						PROJECTION 	
WORK NO 606		WORK NAME EDAM				SCALE 1/1	
220V, 380V, 440V, 460V, 480V		Q' TY 1					
DRAWN LEE.G.H	CHECKED	REVIEWED	APPROVED	MODEL EDAM			
2018.04.02				CODE NO			
L K HOIST CO., LTD.							



-NOTE-  
1. : Mechanical Interlock

SPECIFICATION	MAGNET CONTACT	LOAD LIMITER	SILICON RECTIFIER				Thermal Protector	HOIST MOTOR	
SYMBOLS	M101, M102 M103, M104	-	DPM				TP1	HM	
DESCRIPTION	DMC22	LKDL-60A	AC220V	AC380V	AC440V	AC460V			AC480V
MAKER	DONG-A	LK	DC99V	DC171V	DC198V	DC207V	DC216V	17AM032	4.4Kw * 2P/2.2Kw*6P
			LK				Texas Instruments	LK	

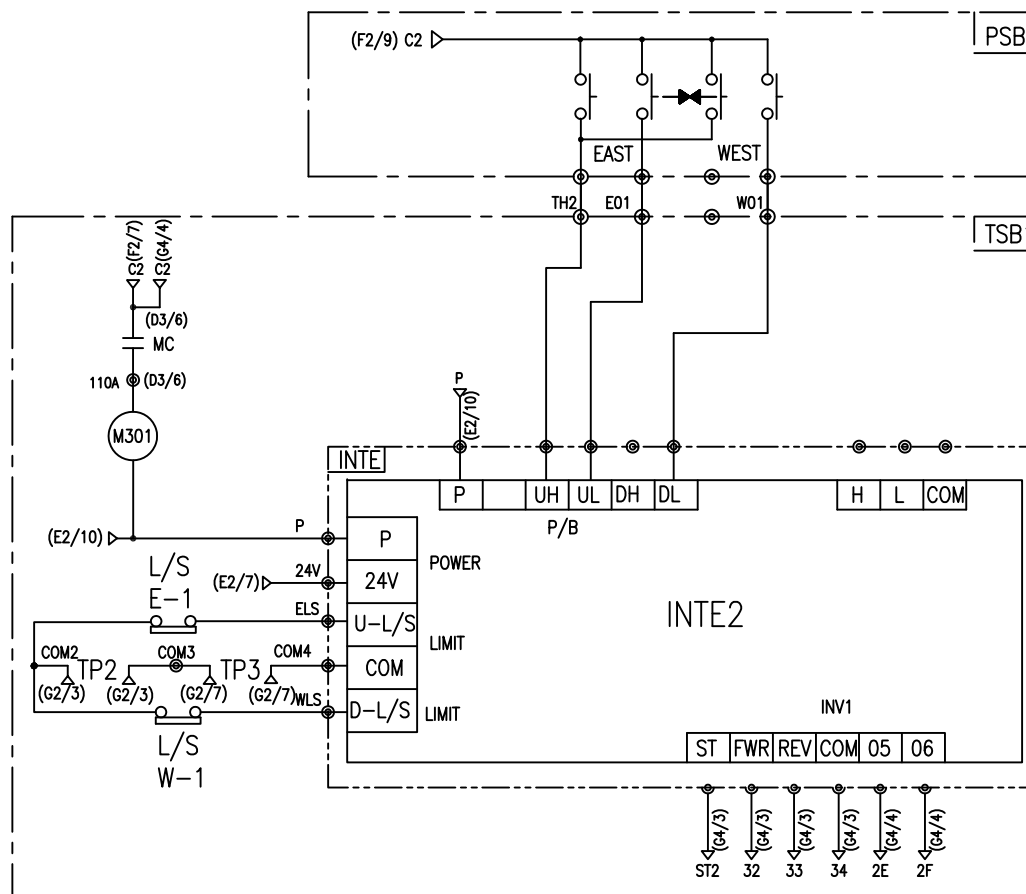
TITLE <b>HOIST POWER &amp; CONTROL CIRCUIT DIAGRAM</b>						PROJECTION 	
WORK NO 607		WORK NAME DBM				SCALE 1/1	Q' TY 1
220V, 380V, 440V, 460V, 480V							
DRAWN LEE.G.H	CHECKED	REVIEWED	APPROVED	MODEL			
2018.04.02				CODE NO			
<b>L K HOIST CO., LTD.</b>							



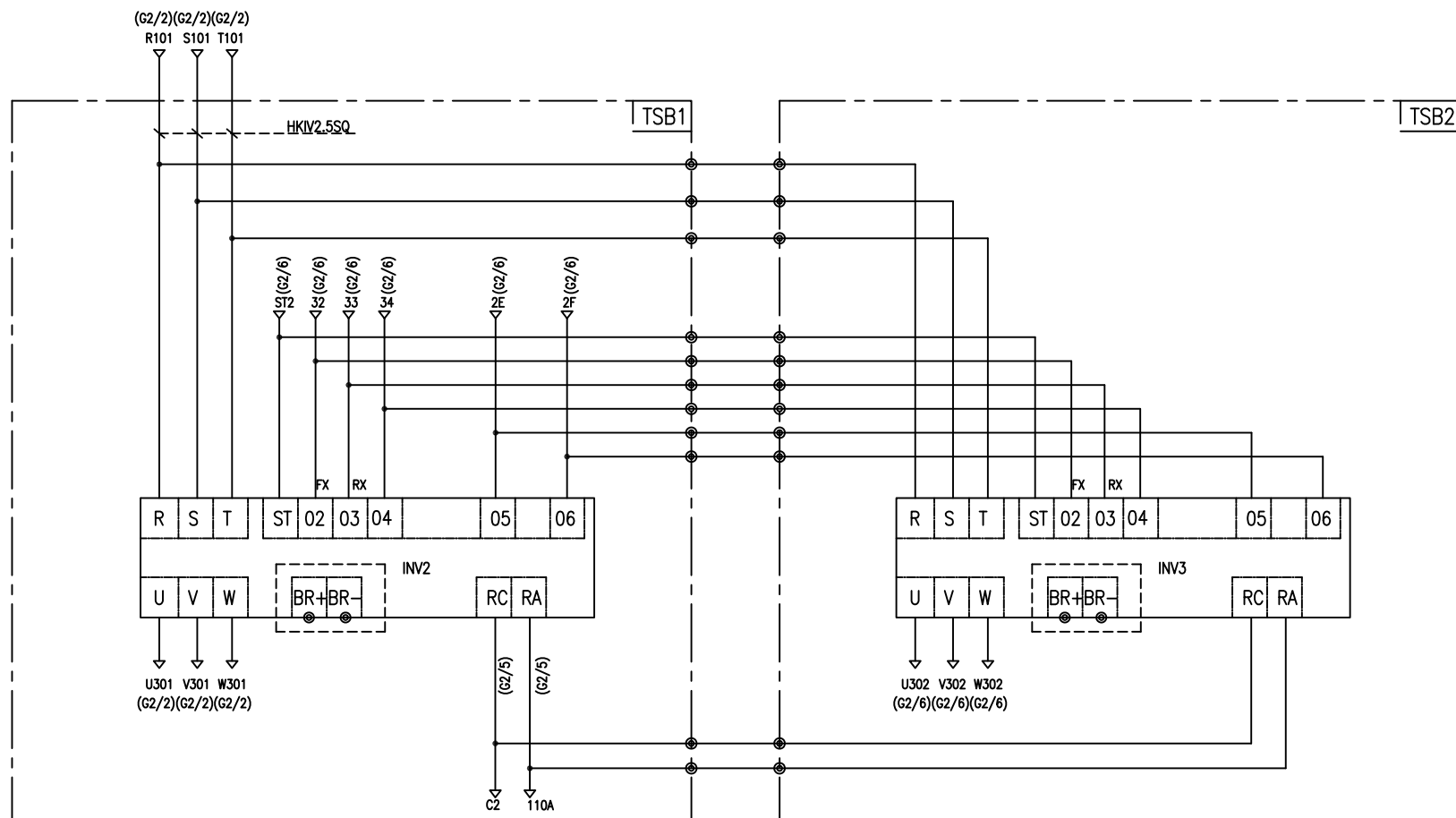
-NOTE-  
 1. ---- : MARKER OWNER SCOPE  
 2. —⚡— : Mechanical Interlock

TITLE <b>CONNECTION DIAGRAM</b>						PROJECTION 	
WORK NO 608		WORK NAME EDAM				SCALE Q' TY	
220V, 380V, 440V, 460V, 480V							
DRAWN LEE.G.H	CHECKED	REVIEWED	APPROVED	MODEL EDAM	CODE NO CODE_NO		
2018.04.02							
<b>L K HOIST CO., LTD.</b>							

SPECIFICATION	MAGNET CONTACT	SILICON RECTIFIER					Thermal Protector	HOIST MOTOR
SYMBOLS	M301, M302	DPM2					TP2, TP3	TM
DESCRIPTION	DMC12b	AC220V	AC380V	AC440V	AC460V	AC480V	17AM032	0.75Kw * 4P
		DC99V	DC171V	DC198V	DC207V	DC216V		0.4Kw * 6P
MAKER	DONG-A	LK					Texas Instruments	LK



TITLE				(D1/6) PROJECTION	
INVERTER CONTROL CIRCUIT DIAGRAM					
WORK NO	WORK NAME			SCALE	Q' TY
609	TRAVERSING			1/1	1
220V, 380V, 440V, 460V, 480V					
DRAWN	CHECKED	REVIEWED	APPROVED	MODEL	EDAM
LEE.G.H				CODE NO	
2018.04.02					
L K HOIST CO., LTD.					



—NOTE—

1. - - - - : OPTION SCOPE

SPECIFICATION	INVERTER	BRAKING RESISTOR
SYMBOLS	INV2, INV3	BR
DESCRIPTION	0.75KW	80W 750 OHM
MAKER	ROCKWELL or LS	-

TITLE						(D1/6) PROJECTION	
INVERTER CONTROL CIRCUIT DIAGRAM							
WORK NO	WORK NAME					SCALE	Q' TY
610	TRAVERSING					1/1	1
220V, 380V, 440V, 460V, 480V							
DRAWN	CHECKED	REVIEWED	APPROVED	MODEL	EDAM		
LEE.G.H				CODE NO			
2018.04.02							

## SCHEDULE OF TECHNICAL DATA

1. SERVICE	HOISTING
2. MANUFACTURE	LK HOIST CO. LTD
3. MOTOR MODEL NO	4.4/2.2 - 2/6 - 38
4. RATED POWER	4.4/2.2 KW × 2/6 P
5. RATED VOLTAGE AND FREQUENCY	380 V      60HZ
6. MOTOR TYPE	SQUIRREL CAGE ROTOR TYPE
7. RATING	30 MIN
8. LOCATION	OUTDOOR
9. INSULATION CLASS	B
10. DESIGN TEMPERATURE RISE (BY RESISTANCE)	80℃
11. FULL LOAD SPEED	3440/1140 RPM
12. FULL LOAD CURRENT	13/6.5 A
13. STARTING CURRENT AT RATED VOLTAGE	66/33.2 A
14. MINIMUM STARTING VOLTAGE	342 V
15. EFFICIENCY AT 100% RATED LOAD	73/73 %
16. POWER FACTOR AT 100% RATED LOAD	71/71 %
17. STARTING TORQUE	242 %
18. TYPE OF ENCLOSURE	전폐형
19. TYPE OF BEARING	PL : 6205DD    OPL : 6008ZZ
20. MOUNTING	VERTICAL
21. MAXIMUM AMBIENT TEMPURE	40℃
22. BEARING LUBRICATION	GREASE
23. STARTING METHOD	FULL VOLTAGE

## SCHEDULE OF TECHNICAL DATA

1. SERVICE	TRAVERSING
2. MANUFACTURE	LK HOIST CO. LTD
3. MOTOR MODEL NO	0.75 - 4 - 38
4. RATED POWER	0.75 KW × 4 P
5. RATED VOLTAGE AND FREQUENCY	380 V      60HZ
6. MOTOR TYPE	SQUIRREL CAGE ROTOR TYPE
7. RATING	15 MIN
8. LOCATION	OUTDOOR
9. INSULATION CLASS	B
10. DESIGN TEMPERATURE RISE (BY RESISTANCE)	100℃
11. FULL LOAD SPEED	1670 RPM
12. FULL LOAD CURRENT	2.77 A
13. STARTING CURRENT AT RATED VOLTAGE	15.2 A
14. MINIMUM STARTING VOLTAGE	342 V
15. EFFICIENCY AT 100% RATED LOAD	65 %
16. POWER FACTOR AT 100% RATED LOAD	63 %
17. STARTING TORQUE	250 %
18. TYPE OF ENCLOSURE	전폐형
19. TYPE OF BEARING	PL : 6008DD    OPL : 6207ZZ
20. MOUNTING	VERTICAL
21. MAXIMUM AMBIENT TEMPURE	40℃
22. BEARING LUBRICATION	GREASE
23. STARTING METHOD	FULL VOLTAGE

## SCHEDULE OF TECHNICAL DATA

1. SERVICE	TRAVERSING
2. MANUFACTURE	LK HOIST CO. LTD
3. MOTOR MODEL NO	0.4 - 6 - 38
4. RATED POWER	0.4 KW × 6 P
5. RATED VOLTAGE AND FREQUENCY	380 V      60HZ
6. ROTOR TYPE	SQUIRREL CAGE ROTOR TYPE
7. RATING	15 MIN
8. LOCATION	OUTDOOR
9. INSULATION CLASS	B
10. DESIGN TEMPERATURE RISE (BY RESISTANCE)	100℃
11. FULL LOAD SPEED	1140 RPM
12. FULL LOAD CURRENT	1.85 A
13. STARTING CURRENT AT RATED VOLTAGE	10.5 A
14. MINIMUM STARTING VOLTAGE	342 V
15. EFFICIENCY AT 100% RATED LOAD	65 %
16. POWER FACTOR AT 100% RATED LOAD	63 %
17. STARTING TORQUE	249 %
18. TYPE OF ENCLOSURE	전폐형
19. TYPE OF BEARING	PL : 6008DD    OPL : 6207ZZ
20. MOUNTING	VERTICAL
21. MAXIMUM AMBIENT TEMPERATURE	40℃
22. BEARING LUBRICATION	GREASE
23. STARTING METHOD	FULL VOLTAGE