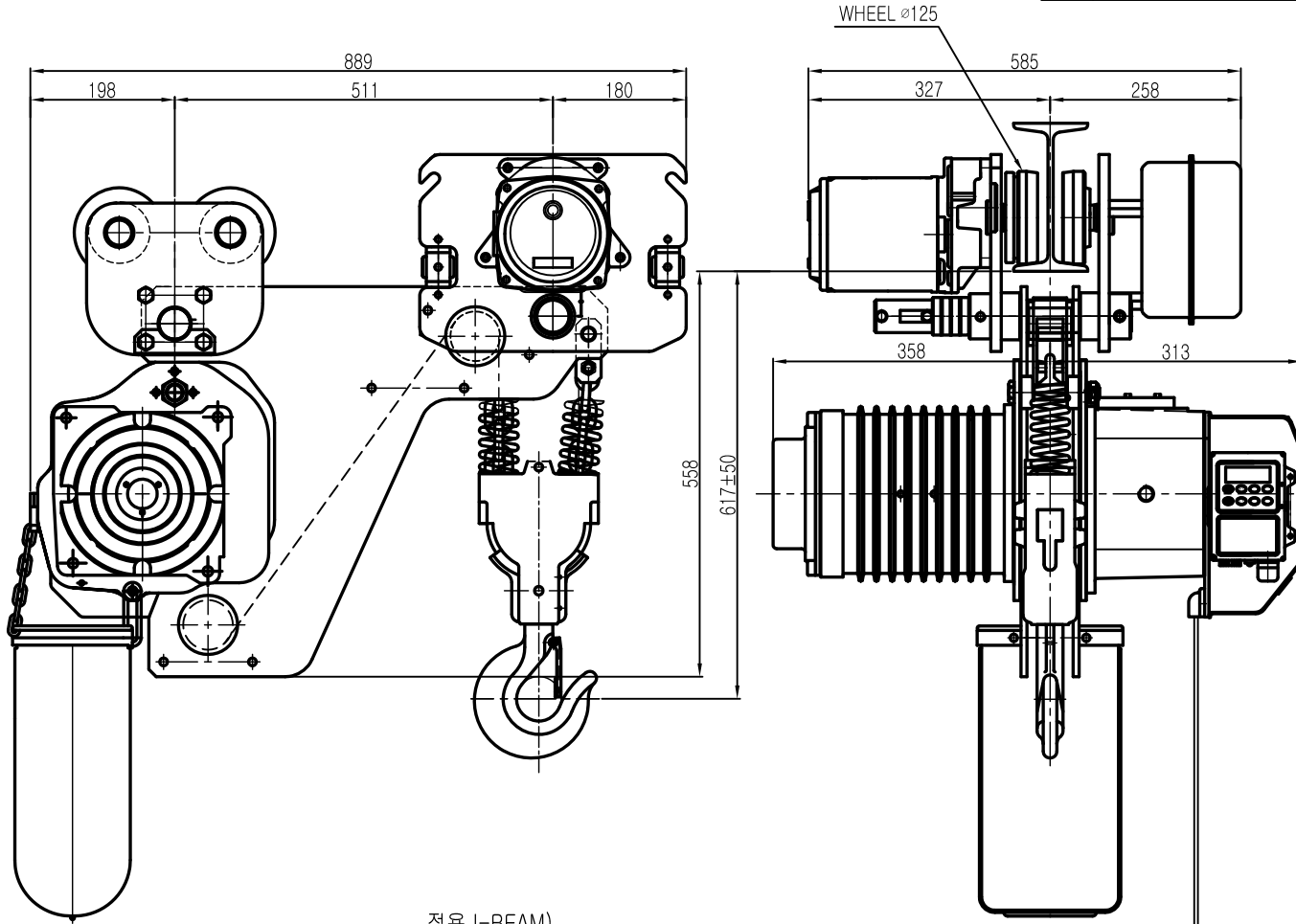


ON GMD

L K HOIST

NO	DESCRIPTION	SIZE	MAT'L	Q'TY	WT (kg)	REMARKS



SPECIFICATION

		LK-SHDAM-2.8W		
RATED LOAD	(TON)	2.8		
TESTING LOAD	(TON)	3.5		
LIFTING HEIGHT	(M)	50		
HOISTING	SPEED (M/MIN)	5.15		
	MOTOR (KW)	3.5kw x 4p		
TRAVERSING	SPEED (M/MIN)	20	14	20/7
	MOTOR (KW)	0.75kw x 4p	0.4kw x 6p	0.75/0.25kw x 4/12p
POWER SUPPLY	AC220.380.440.460.480Vx3ø x 60 Hz			
OPERATING METHOD	P,B type ON . FL			
LOAD CHAIN	ø9.5 X 28.6 (2FALL)			
WEIGHT	(KG)	485		
I-BEAM 적용폭	100 ~ 190MM			

NOTE)

- 1) 점검 설비를 갖출 것
- 2) 인허가 서류를 완성검사시 제출 할 것

적용 I-BEAM)

- 1) 지점간 거리 : I-200X100X7/10 - 2.0M
- 2) 지점간거리 : I-250X125X7.5/12.5-3.8M
- 3) 지점간거리 : I-300X150X10/18.5-6.0M
- 4) 지점간거리 : I-450X175X13/26-11M
- 5) 지점간거리 : I-600X190X13/25-14M

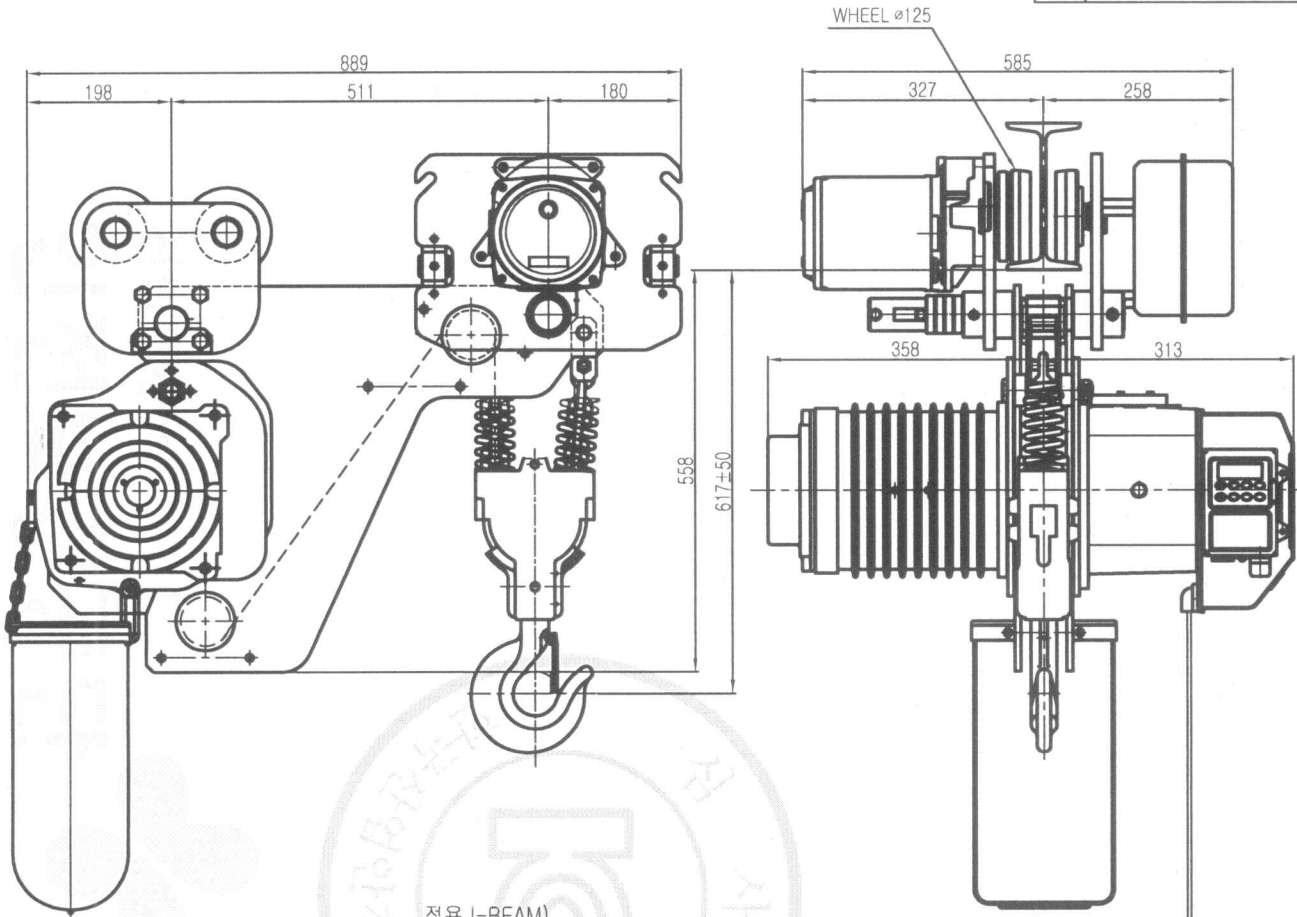
TITLE		ELECTRIC CHAIN HOIST			PROJECTION	
WORK NO	WORK NAME			SCALE	Q' TY	
DRAWN	LK-SHDAM-2.8W					
CHECKED	REVIEWED	APPROVED	DRAWING NO			
2010.08.01			CORD NO			
L K HOIST CO., LTD.						

REV.NO	DATE	REVISION	DESCRIPTION	DRAWN	CHECKED	APPROVED

ON GMD

L K HOIST

NO	DESCRIPTION	SIZE	MAT L	Q' TY	WT (kg)	REMARKS



SPECIFICATION

		LK-SHDAM-2.8W		
RATED LOAD	(TON)	2.8		
TESTING LOAD	(TON)	3.5		
LIFTING HEIGHT	(M)	50		
HOISTING	SPEED (M/MIN)	5.15		
	MOTOR (KW)	3.5kw x 4p		
TRAVERSING	SPEED (M/MIN)	20	14	20/7
	MOTOR (KW)	0.75kw x 4p	0.4kw x 6p	0.75/0.25kw x 4/12p
POWER SUPPLY	AC220.380.440.460.480Vx3ø x 60 Hz			
OPERATING METHOD	P.B type ON . FL			
LOAD CHAIN	ø9.5 X 28.6 (2FALL)			
WEIGHT	(KG)	485		
I-BEAM 적용폭	100 ~ 190MM			

적용 I-BEAM)

- 1) 지점간 거리 : I-200X100X7/10 - 2.0M
- 2) 지점간거리 : I-250X125X7.5/12.5-3.8M
- 3) 지점간거리 : I-300X150X10/18.5-6.0M
- 4) 지점간거리 : I-450X175X13/26-11M
- 5) 지점간거리 : I-600X190X13/25-14M

NOTE)

- 1)점검 설비를 갖출 것
- 2)인허가 서류를 완성검사시 제출 할 것

REV.NO	DATE	REVISION	DESCRIPTION	DRAWN	CHECKED	APPROVED

TITLE		ELECTRIC CHAIN HOIST		PROJECTION	
WORK NO		WORK NAME		SCALE	Q' TY
DRAWN		LK-SHDAM-2.8W		N S	1

CHECKED	REVIEWED	APPROVED	DRAWING NO
			CORD NO

LK L K HOIST CO., LTD.

물범복제 및 배포금지