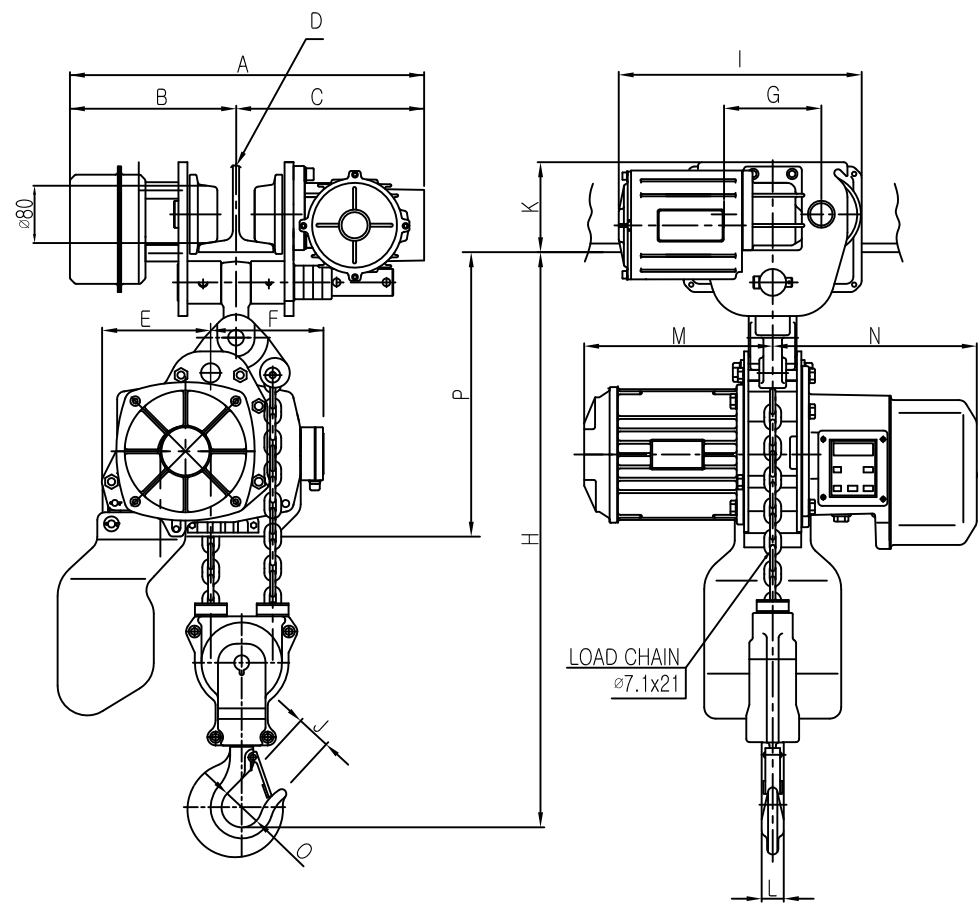


ON 9MG

L K HOIST

NO	DESCRIPTION	SIZE	MAT' L	Q' TY	WT (kg)	REMARKS



제조일 : 0000-00-00
 형식번호 : 00-000-00
 정격하중 : 00-000-00
 제조자 : (주)LK

SPECIFICATION

		LDSM-1.9W		
RATED LOAD	(TON)	1.9		
TESTING LOAD	(TON)	2.375		
LIFTING HEIGHT	(M)	50		
HOISTING	SPEED (M/MIN)	4.1		2.7
	MOTOR (KW)	1.8kw x 4p		1.2kw x 6p
TRAVERSING	SPEED (M/MIN)	18.8	9.23	18.8/4.6
	MOTOR (KW)	0.3kw x 2p	0.2kw x 4p	0.3/0.15kw x 2/8p
POWER SUPPLY	AC220.380.440.460,480Vx3ø x 60 Hz			
OPERATING METHOD	P.B type ON . FL			
LOAD CHAIN	ø7.1 X 21 (2FALL)			
WEIGHT	(KG)	202		
I-BEAM 적용폭	100 ~ 175MM			

DIMENSIONS

MODEL	A	B	C	D	E	F	G	H	I	J	K	L	M	N	O	P
LDSM-1.9W	479	222.5	256.5	100~175	181	155	130	640±21	370	40	110	30	262	273	53.5	409

- 적용 I-BEAM)
- 1) I- 200 X100 X7/10 - 3.0M
 - 2) I- 250 X125 X7.5/12.5 - 5.0M
 - 3) I- 300 X150 X10/18.5 - 7.5M
 - 4) I- 450 X175 X13/26 - 12M

REV.NO	DATE	REVISION	DESCRIPTION	DRAWN	CHECKED	APPROVED

NOTE)

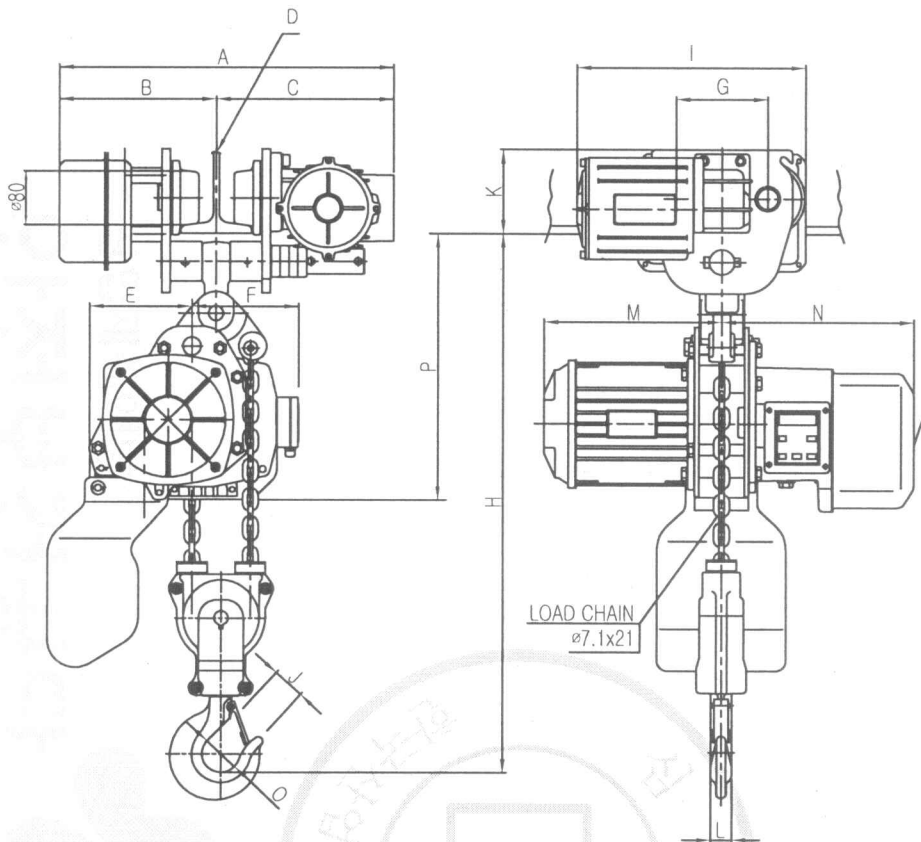
- 1)점검 설비를 갖출 것
- 2)인허가 서류를 완성검사시 제출 할 것

TITLE				PROJECTION	
CHAIN HOIST LDSM-1.9W					
WORK NO	WORK NAME			SCALE	Q' TY
				N S	1
DRAWN	CHECKED	REVIEWED	APPROVED	DRAWING NO	
김 창 기					
2010.07.15					
L K HOIST CO., LTD.					

ON GMD

L K HOIST

NO	DESCRIPTION	SIZE	MAT' L	Q' TY	WT (kg)	REMARKS



제조일 : 0000-00-00
 형식번호 : 00-000-00
 정격하중 : 00-000-00
 제조자 : (주)LK

SPECIFICATION

		LDSM-1.9W		
RATED LOAD	(TON)	1.9		
TESTING LOAD	(TON)	2.375		
LIFTING HEIGHT	(M)	50		
HOISTING	SPEED (M/MIN)	4.1		2.7
	MOTOR (KW)	1.8kw x 4p		1.2kw x 6p
TRAVERSING	SPEED (M/MIN)	18.8	9.23	18.8/4.6
	MOTOR (KW)	0.3kw x 2p	0.2kw x 4p	0.3/0.15kw x 2/8p
POWER SUPPLY	AC220.380.440.460.480Vx3φ x 60 Hz			
OPERATING METHOD	P.B type ON . FL			
LOAD CHAIN	φ7.1 X 21 (2FALL)			
WEIGHT	(KG)	202		
I-BEAM 적용폭	100 ~ 175MM			

DIMENSIONS

MODEL	A	B	C	D	E	F	G	H	I	J	K	L	M	N	O	P
LDSM-1.9W	479	222.5	256.5	100~175	181	155	130	640±21	370	40	110	30	262	273	53.5	409

- 적용 I-BEAM)
- 1) I- 200 X100 X7/10 - 3.0M
 - 2) I- 250 X125 X7.5/12.5 - 5.0M
 - 3) I- 300 X150 X10/18.5 - 7.5M
 - 4) I- 450 X175 X13/26 - 12M

REV.NO	DATE	REVISION	DESCRIPTION	DRAWN	CHECKED	APPROVED

NOTE)

- 1)점검 설비를 갖출 것
- 2)인허가 서류를 완성검사시 제출 할 것

TITLE				CHAIN HOIST LDSM-1.9W				PROJECTION	
WORK NO		WORK NAME				SCALE		Q' TY	
						N S		1	
DRAWN	CHECKED	REVIEWED	APPROVED	DRAWING NO					
김창기									
2010.07.15									

물범복제 및 배포금지