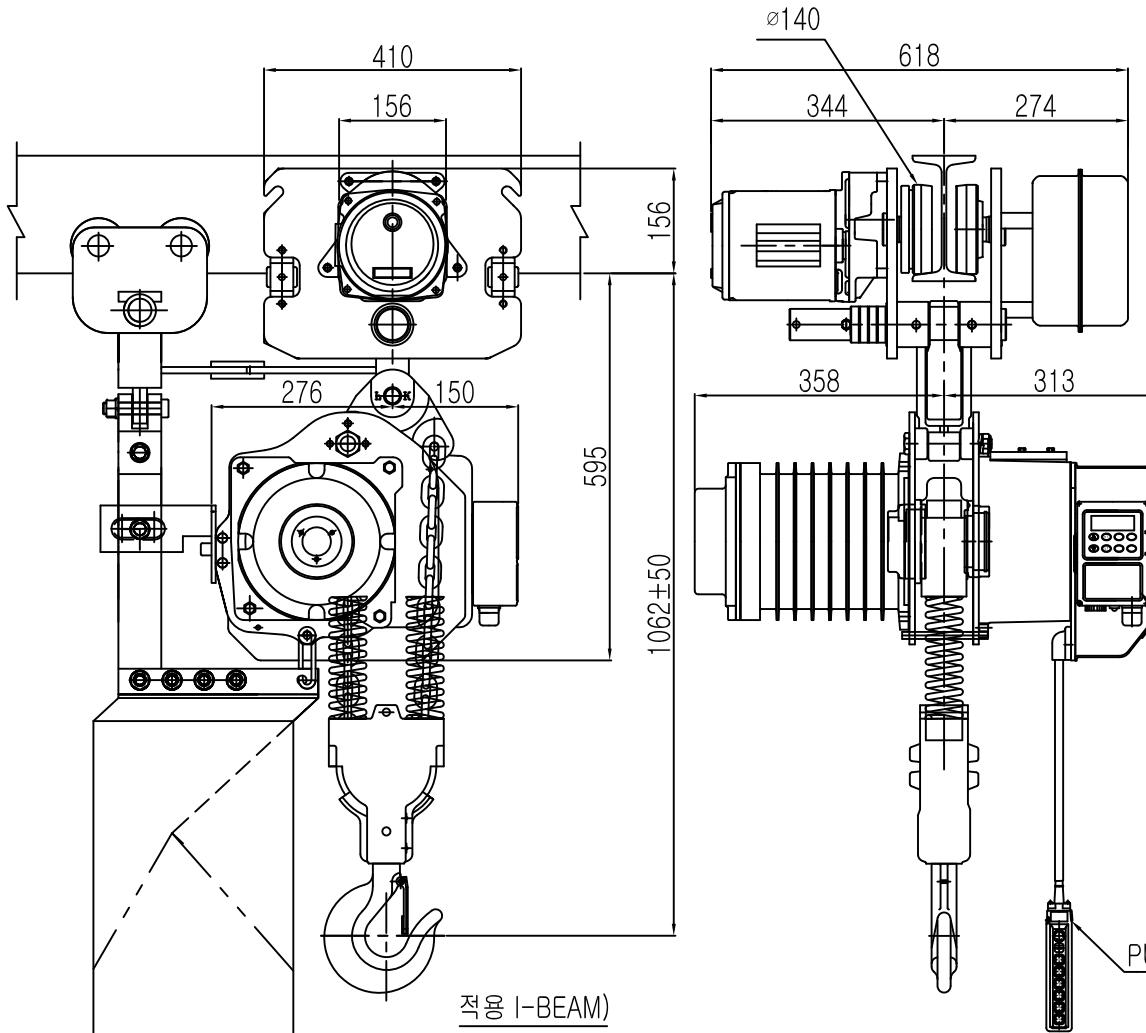


# L K HOIST

NO	DESCRIPTION	SIZE	MAT'L	Q'TY	WT (kg)	REMARKS



## SPECIFICATION

		LK-DAM-5W			
RATED LOAD	(TON)	5.0			
TESTING LOAD	(TON)	6.25			
LIFTING HEIGHT	(M)	50			
HOISTING	SPEED (M/MIN)	3.25			
	MOTOR (KW)	3.5kw x 4p			
TRAVERSING	SPEED (M/MIN)	20	14	20/7	
	MOTOR (KW)	0.75kw x 4p	0.4kw x 6p	0.75/0.25kw x 4/12p	
POWER SUPPLY	AC220,380,440,460,480Vx3φ x 60 Hz				
OPERATING METHOD	P.B type ON . FL				
LOAD CHAIN	φ11.2 X 34(2FALL)				
WEIGHT	(KG)	500KG			
I-BEAM 적용폭	125 ~ 190MM				

- 적용 I-BEAM)
- 1) 지점간거리 : I-250X125X7.5/12.5-2.5M
  - 2) 지점간거리 : I-300X150X10/18.5-5.0M
  - 3) 지점간거리 : I-450X175X13/26-9.0M
  - 4) 지점간거리 : I-600X190X13/25-12M

### NOTE)

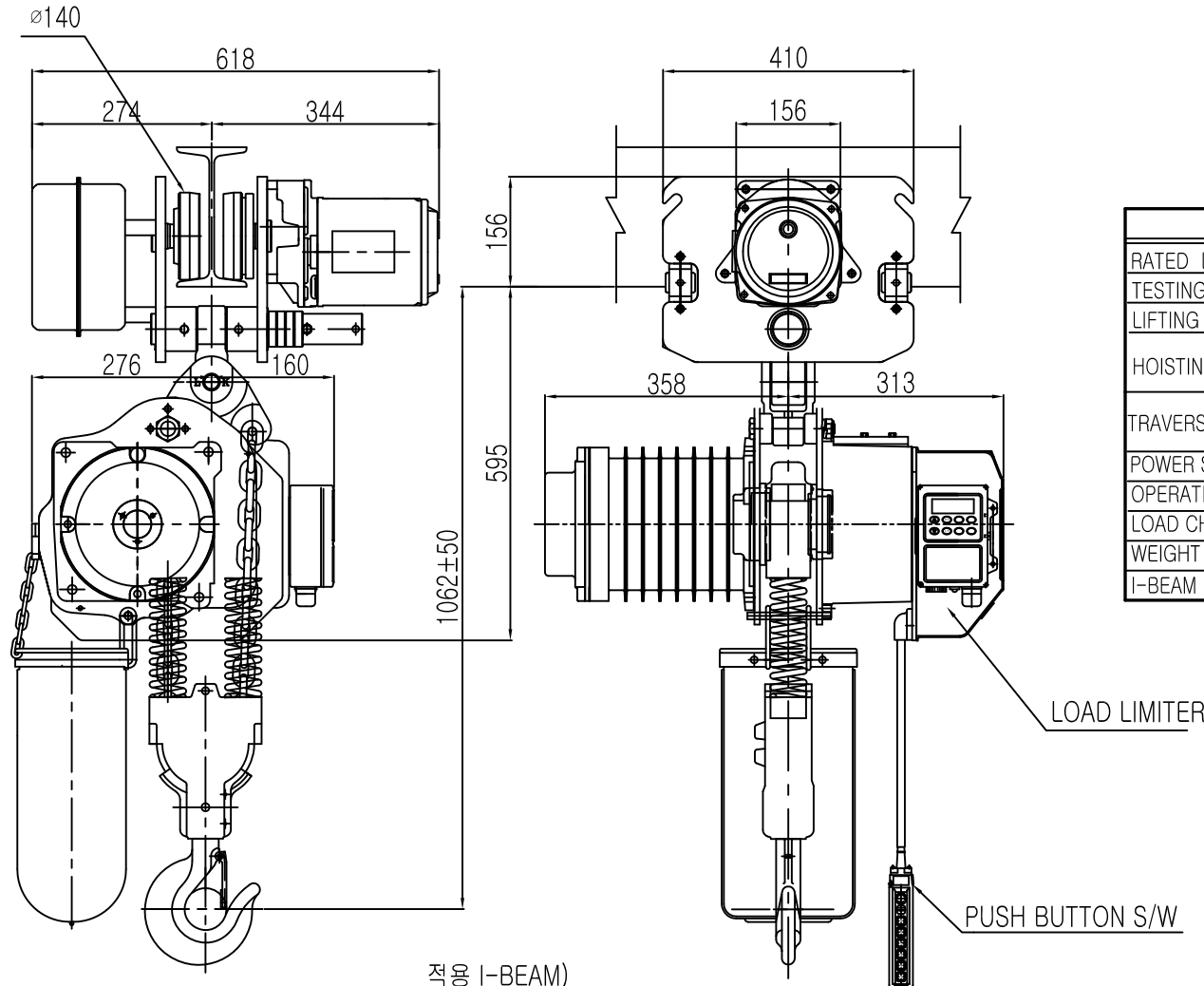
- 1) 점검 설비를 갖출 것
- 2) 인허가 서류를 완성검사시 제출 할 것

TITLE					PROJECTION	
ELECTRIC CHAIN HOIST DAM-5W						
WORK NO	WORK NAME				SCALE	Q' TY
	LK-DAM-5W					1
DRAWN	CHECKED	REVIEWED	APPROVED	DRAWING NO		
김창기						
2010.08.01				CODE NO		

REV.NO	DATE	REVISION	DESCRIPTION	DRAWN	CHECKED	APPROVED

# L K HOIST

NO	DESCRIPTION	SIZE	MAT' L	Q' TY	WT (kg)	REMARKS



## SPECIFICATION

		LK-DAM-5W		
RATED LOAD	(TON)	5.0		
TESTING LOAD	(TON)	6.25		
LIFTING HEIGHT	(M)	50		
HOISTING	SPEED (M/MIN)	3.25		
	MOTOR (KW)	3.5kw x 4p		
TRAVERSING	SPEED (M/MIN)	20	14	20/7
	MOTOR (KW)	0.75kw x 4p	0.4kw x 6p	0.75/0.25kw x 4/12p
POWER SUPPLY	AC220.380.440.460,480Vx3 $\phi$ x 60 Hz			
OPERATING METHOD	P.B type ON . FL			
LOAD CHAIN	$\phi 11.2$ X 34(2FALL)			
WEIGHT	(KG)	500KG		
I-BEAM 적용폭	125 ~ 190MM			

### NOTE)

- 1) 점검 설비를 갖출 것
- 2) 인허가 서류를 완성검사시 제출 할 것

### 적용 I-BEAM)

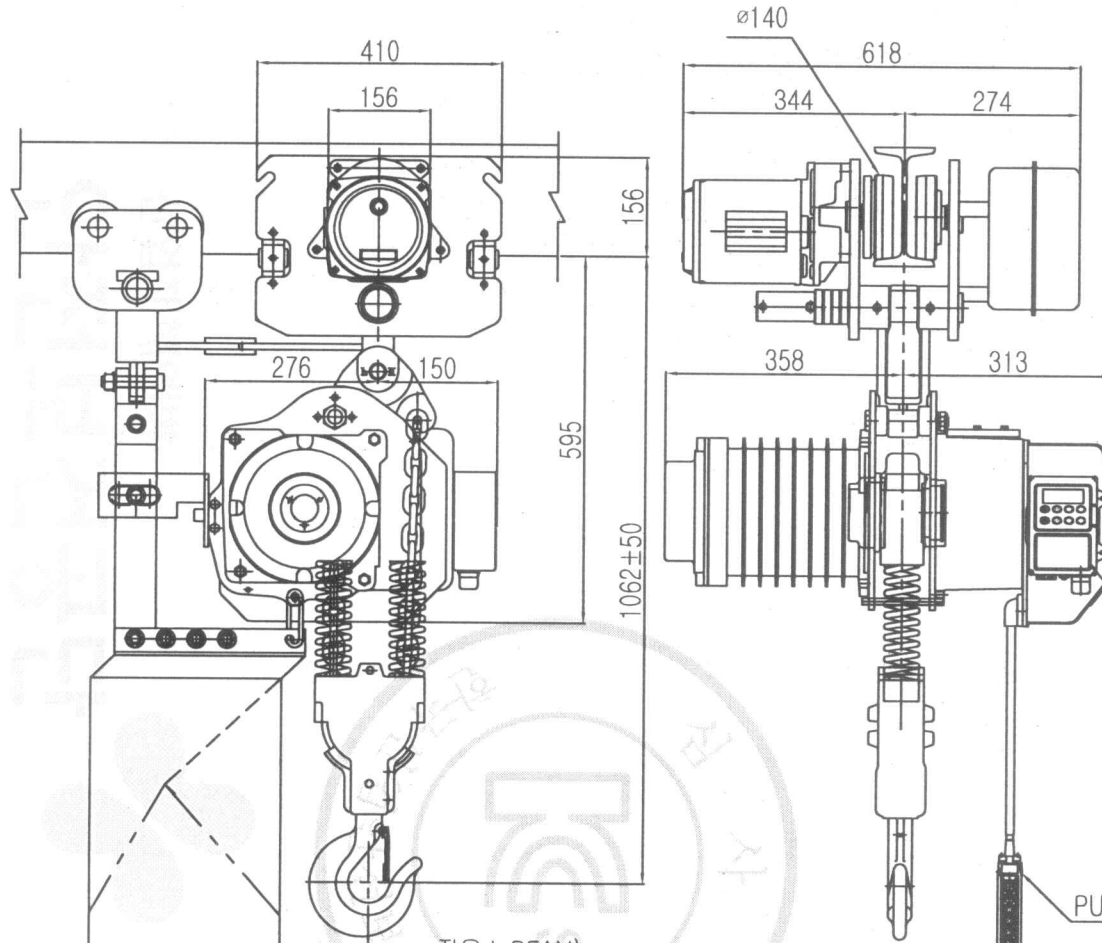
- 1) 지점간거리 : I-250X125X7.5/12.5-2.5M
- 2) 지점간거리 : I-300X150X10/18.5-5.0M
- 3) 지점간거리 : I-450X175X13/26-9.0M
- 4) 지점간거리 : I-600X190X13/25-12M

TITLE		ELECTRIC CHAIN HOIST				PROJECTION	
WORK NO	WORK NAME						
		LK-DAM-5W				SCALE	Q' TY
						N/S	1
DRAWN	CHECKED	REVIEWED	APPROVED	DRAWING NO			
김 창 기				CODE NO			
2010.08.01							

REV.NO	DATE	REVISION	DESCRIPTION	DRAWN	CHECKED	APPROVED

# L K HOIST

NO	DESCRIPTION	SIZE	MAT'L	Q'TY	WT (kg)	REMARKS



## SPECIFICATION

		LK-DAM-5W		
RATED LOAD	(TON)	5.0		
TESTING LOAD	(TON)	6.25		
LIFTING HEIGHT	(M)	50		
HOISTING	SPEED (M/MIN)	3.25		
	MOTOR (KW)	3.5kw x 4p		
TRAVERSING	SPEED (M/MIN)	20	14	20/7
	MOTOR (KW)	0.75kw x 4p	0.4kw x 6p	0.75/0.25kw x 4/12p
POWER SUPPLY	AC220.380.440.460,480Vx3ø x 60 Hz			
OPERATING METHOD	P.B type ON . FL			
LOAD CHAIN	ø11.2 X 34(2FALL)			
WEIGHT	(KG)	500KG		
I-BEAM 적용폭		125 ~ 190MM		

LOAD LIMITER

PUSH BUTTON S/W

적용 I-BEAM)

- 1) 지점간거리 : I-250X125X7.5/12.5-2.5M
- 2) 지점간거리 : I-300X150X10/18.5-5.0M
- 3) 지점간거리 : I-450X175X13/26-9.0M
- 4) 지점간거리 : I-600X190X13/25-12M

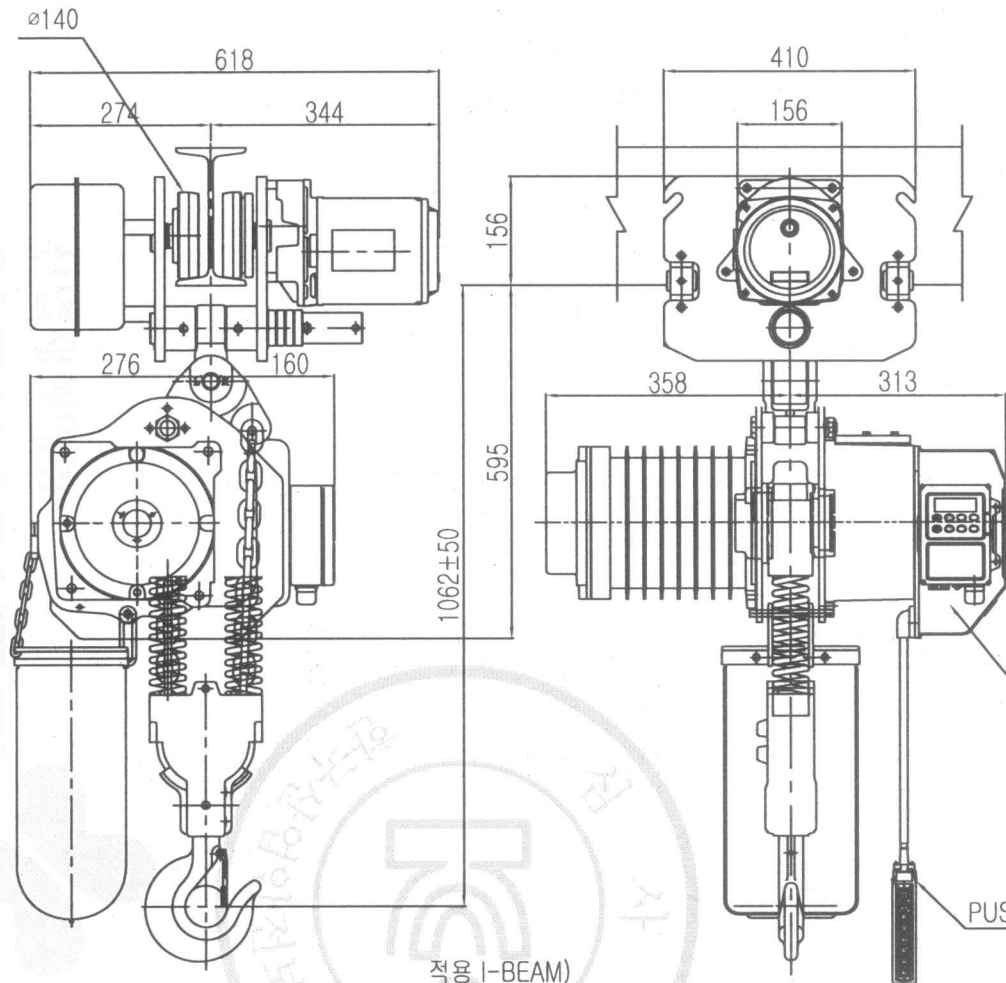
### NOTE)

- 1) 점검 설비를 갖출 것
- 2) 인허가 서류를 완성검사시 제출 할 것

REV.NO	DATE	REVISION	DESCRIPTION	DRAWN	CHECKED	APPROVED

TITLE					PROJECTION	
ELECTRIC CHAIN HOIST DAM-5W						
WORK NO	WORK NAME			SCALE	Q'TY	
	LK-DAM-5W				1	
DRAWN	CHECKED	REVIEWED	APPROVED	DRAWING NO		
김창기				CODE NO		
2010.08.01						
<b>L K HOIST CO., LTD.</b>						

# L K HOIST



적용 I-BEAM)

- 1) 지점간거리 : I-250X125X7.5/12.5-2.5M
- 2) 지점간거리 : I-300X150X10/18.5-5.0M
- 3) 지점간거리 : I-450X175X13/26-9.0M
- 4) 지점간거리 : I-600X190X13/25-12M

NO	DESCRIPTION	SIZE	MAT L	Q' TY	WT (kg)	REMARKS

## SPECIFICATION

		LK-DAM-5W			
RATED LOAD	(TON)	5.0			
TESTING LOAD	(TON)	6.25			
LIFTING HEIGHT	(M)	50			
HOISTING	SPEED (M/MIN)	3.25			
	MOTOR (KW)	3.5kw x 4p			
TRAVERSING	SPEED (M/MIN)	20	14	20/7	
	MOTOR (KW)	0.75kw x 4p	0.4kw x 6p	0.75/0.25kw x 4/12p	
POWER SUPPLY	AC220.380.440.460.480Vx3 $\phi$ x 60 Hz				
OPERATING METHOD	P.B type ON . FL				
LOAD CHAIN	$\phi 11.2$ X 34(2FALL)				
WEIGHT	(KG)	500KG			
I-BEAM 적용폭	125 ~ 190MM				

### NOTE

- 1) 점검 설비를 갖추실 것
- 2) 인허가 서류를 완성검사시 제출 할 것

TITLE					PROJECTION	
ELECTRIC CHAIN HOIST						
WORK NO	WORK NAME				SCALE	Q' TY
	LK-DAM-5W				N/S	1
DRAWN	CHECKED	REVIEWED	APPROVED	DRAWING NO		
김 창 기						
2010.08.01				CODE NO		

REV.NO	DATE	REVISION	DESCRIPTION	DRAWN	CHECKED	APPROVED

물범복제 및 배포금지