

TRAVELLING POWER  
SUPPLY SYSTEM  
TB1(Trolley Bar  
or Festoon Type)

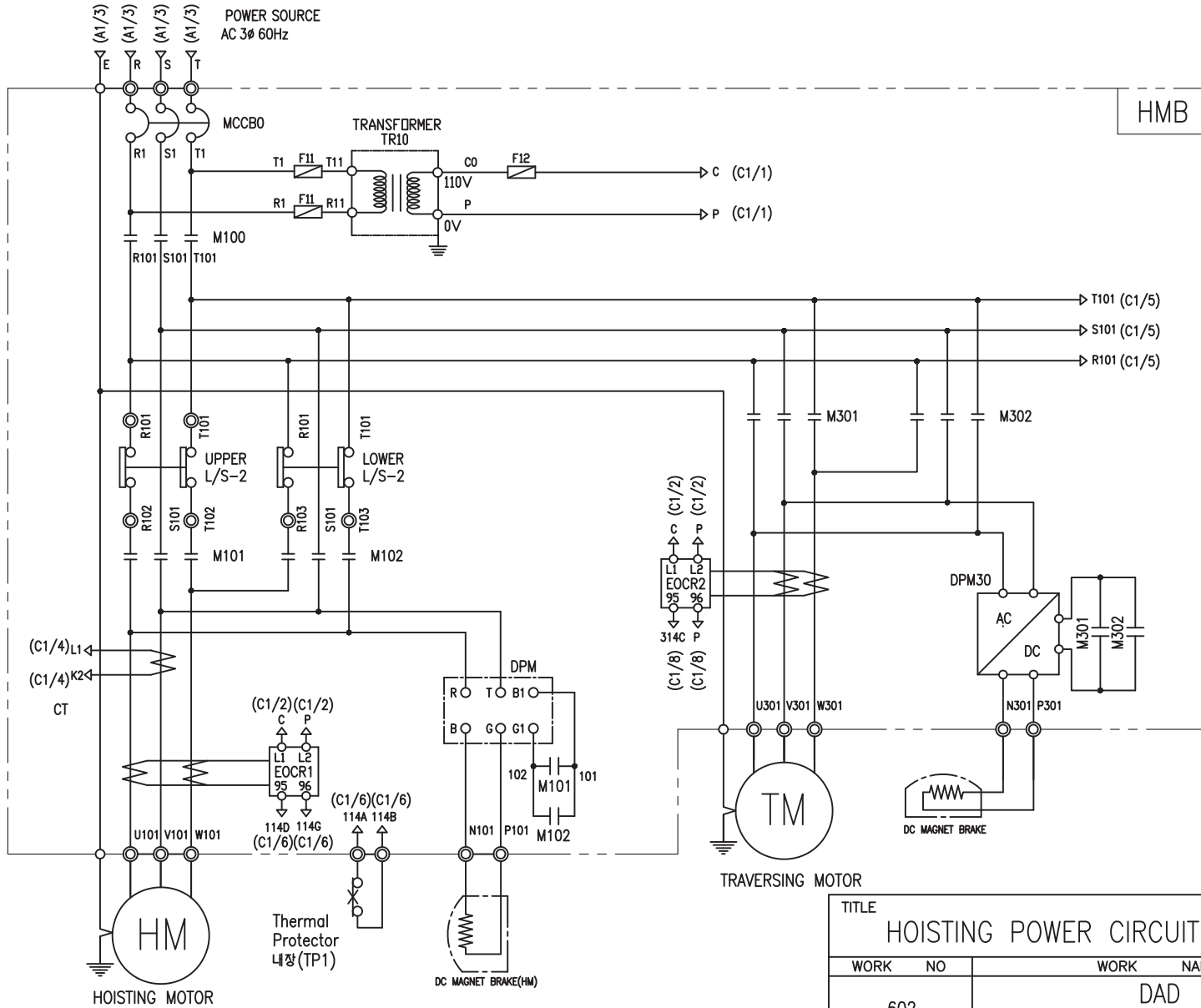


(B1/3) (B1/3) (B1/3) (B1/3)  
(B2/3) (B2/3) (B2/3) (B2/3)  
HOISTING & TRAVERSING  
POWER

-NOTE-

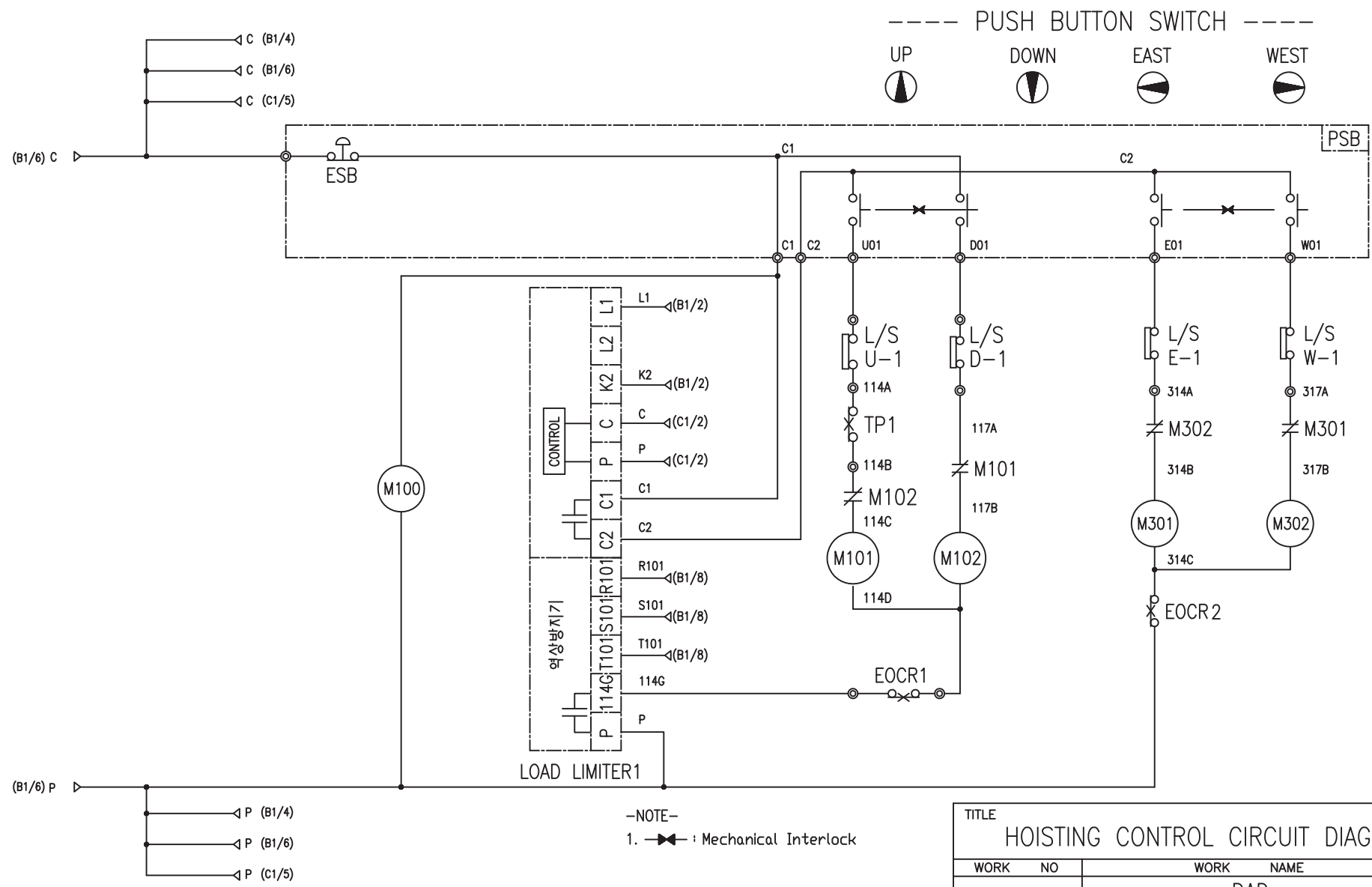
- 1. - - - - MARKED OWNER SCOPE
- 2. ——— MARKED CRANE MAKER SCOPE

|                                      |                  |          |          |                |            |
|--------------------------------------|------------------|----------|----------|----------------|------------|
| TITLE<br>MAIN POWER CIRCUIT DIAGRAM1 |                  |          |          | PROJECTION<br> |            |
| WORK NO<br>601                       | WORK NAME<br>DAD |          |          | SCALE<br>1/1   | Q' TY<br>1 |
| 220V, 380V, 440V, 460V, 480V         |                  |          |          |                |            |
| DRAWN<br>LEE.G.H<br>2010.08.06       | CHECKED          | REVIEWED | APPROVED | MODEL          |            |
|                                      |                  |          |          | CODE NO        |            |
| L K HOIST CO., LTD.                  |                  |          |          |                |            |



|   |         |                        |          |                |         |
|---|---------|------------------------|----------|----------------|---------|
| TITLE<br>HOISTING POWER CIRCUIT DIAGRAM |         |                        |          | PROJECTION<br> |         |
| WORK NO<br>602                          |         | WORK NAME<br>DAD       |          |                |         |
|   |         | 220V, 440V, 460V, 480V |          |                |         |
| DRAWN<br>LEE.G.H                        | CHECKED | REVIEWED               | APPROVED | MODEL          |         |
| 2010.08.06                              |         |                        |          | CODE NO        | CODE_NO |
| L K HOIST CO., LTD.                     |         |                        |          |                |         |

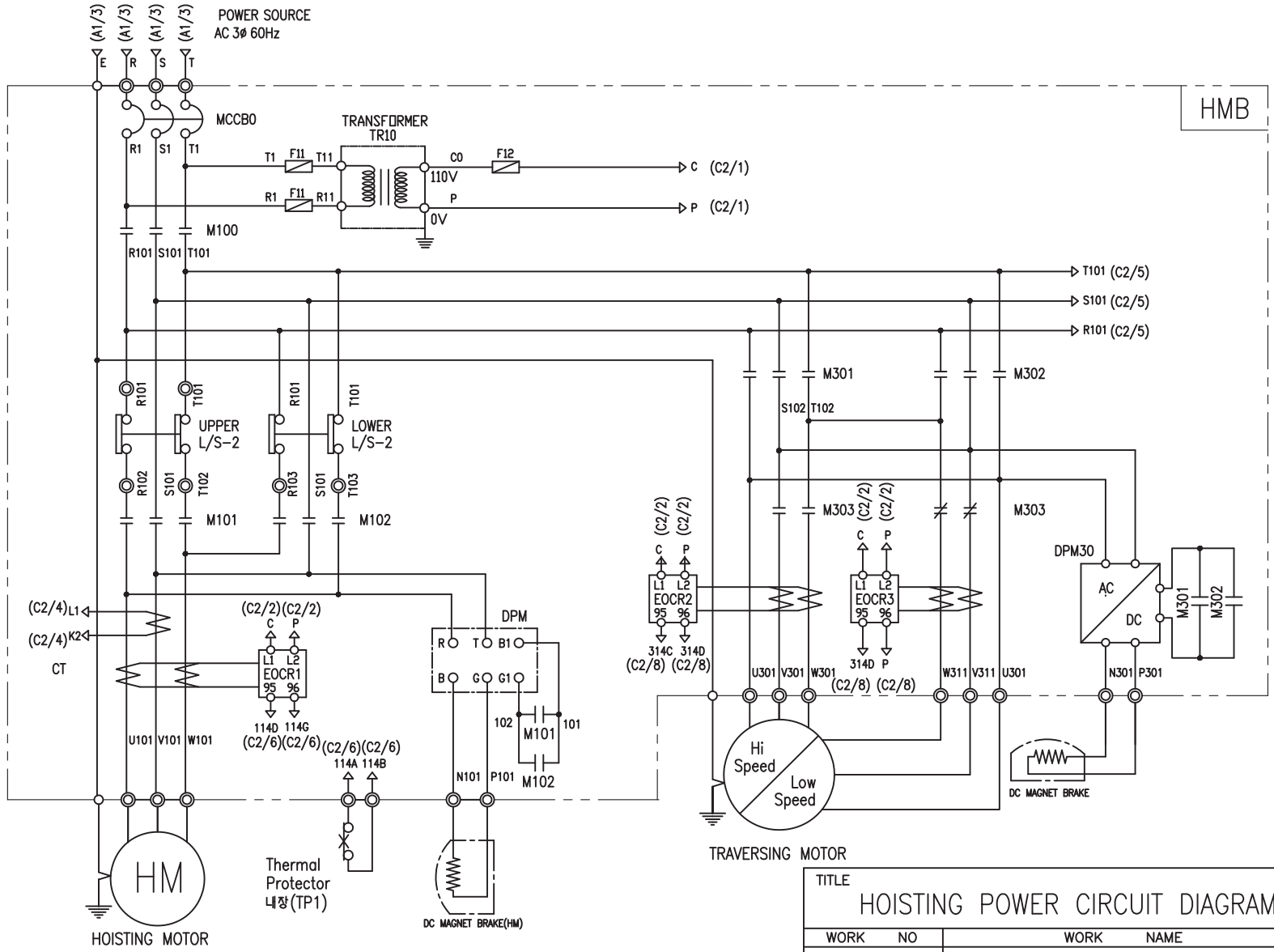
| SPECIFICATION | NO FUSE BREAKER                              | MAGNET CONTACTOR | TRANSFORMER | SILICON RECTIFIER   | 과전류계전기      | FUSE    | HOISTING MOTOR | TRAVERSING MOTOR          |
|---------------|--|------------------|-------------|---|-------------|---------|----------------|---------------------------|
| SYMBOLS       | MCCB0  | M100, M101, M102 | TR10        | DPM, DPM30  | EOCR1 EOCR2 | F11 F12 | HM             | TM                        |
| DESCRIPTION   | 220V 40A<br>440V 20A<br>460V 20A<br>480V 20A | DMC22            | 60 VA       | AC220V AC440V AC460V AC480V<br>DC99V DC198V DC207V DC216V | SS-30 SS-06 | 1A 2A   | 3.5Kw x 4P     | 0.75Kw * 4P<br>0.5Kw * 6P |
| MAKER         | LS   | DONGA            | YOUNG DONG  | LK  | SAMWHA      | -       | LK             | LK                        |



-NOTE-  
1. —X— : Mechanical Interlock

|               |              |
|---------------|--------------|
| SPECIFICATION | LOAD LIMITER |
| SYMBOLS       | LKDL601      |
| DESCRIPTION   | 1A - 50A     |
| MAKER         | LK           |

|   |                  |          |          |                |         |
|---|------------------|----------|----------|----------------|---------|
| TITLE<br>HOISTING CONTROL CIRCUIT DIAGRAM |                  |          |          | PROJECTION<br> |         |
| WORK NO.<br>604                           | WORK NAME<br>DAD |          |          | SCALE          | Q' TY   |
| 220V, 380V, 440V, 460V, 480V              |                  |          |          |                |         |
| DRAWN<br>LEE.G.H                          | CHECKED          | REVIEWED | APPROVED | MODEL          |         |
| 2010.08.06                                |                  |          |          | CODE NO        | CODE_NO |
| L K HOIST CO., LTD.                       |                  |          |          |                |         |



|  |         |                  |          |         |         |  |                |  |
|--|---------|------------------|----------|---------|---------|--|----------------|--|
| TITLE<br><b>HOISTING POWER CIRCUIT DIAGRAM</b> |         |                  |          |         |         |  | PROJECTION<br> |  |
| WORK NO<br>605                                 |         | WORK NAME<br>DAD |          |         |         |  | SCALE<br>Q' TY |  |
| 220V, 440V, 460V, 480V                         |         |                  |          |         |         |  |                |  |
| DRAWN<br>LEE.G.H                               | CHECKED | REVIEWED         | APPROVED | MODEL   |         |  |                |  |
| 2010.08.06                                     |         |                  |          | CODE NO | CODE_NO |  |                |  |
| <b>L K HOIST CO., LTD.</b>                     |         |                  |          |         |         |  |                |  |

| SPECIFICATION | NO FUSE BREAKER | MAGNET CONTACTOR |            | TRANSFORMER | SILICON RECTIFIER |        |        |        | 과전류계전기 |       | FUSE  | HOISTING MOTOR | TRAVERSING MOTOR |            |                             |
|---------------|-----------------|------------------|------------|-------------|-------------------|--------|--------|--------|--------|-------|-------|----------------|------------------|------------|-----------------------------|
| SYMBOLS       | MCCB0           | M100, M101, M102 | M301, M302 | TR10        | DPM, DPM30        |        |        |        | EOCR1  | EOCR2 | F11   | F12            | HM               | TM         |                             |
| DESCRIPTION   | 220V            | 30A              | DMC22      | DMC22       | 60 VA             | AC220V | AC440V | AC460V | AC480V | SS-30 | SS-06 | 1A             | 2A               | 3.5Kw x 4P | 0.75Kw * 4P<br>/0.25Kw * 6P |
|               | 440V            | 30A              |            |             |                   | DC99V  | DC198V | DC207V | DC216V |       |       |                |                  |            |                             |
|               | 460V            | 30A              |            |             |                   |        |        |        |        |       |       |                |                  |            |                             |
|               | 480V            | 30A              |            |             |                   |        |        |        |        |       |       |                |                  |            |                             |
| MAKER         | LS              | DONGA            |            | YOUNG DONG  | LK                |        |        |        | SAMWHA |       | -     | LK             | LK               |            |                             |



-NOTE-  
1. —X— : Mechanical Interlock

|               |              |
|---------------|--------------|
| SPECIFICATION | LOAD LIMITER |
| SYMBOLS       | LKDL601      |
| DESCRIPTION   | 1A - 50A     |
| MAKER         | LK           |

|   |                  |          |          |                |         |
|---|------------------|----------|----------|----------------|---------|
| TITLE<br>HOISTING CONTROL CIRCUIT DIAGRAM |                  |          |          | PROJECTION<br> |         |
| WORK NO.<br>607                           | WORK NAME<br>DAD |          |          | SCALE          | Q' TY   |
| 220V, 380V, 440V, 460V, 480V              |                  |          |          |                |         |
| DRAWN<br>LEE.G.H                          | CHECKED          | REVIEWED | APPROVED | MODEL          |         |
| 2010.08.06                                |                  |          |          | CODE NO        | CODE_NO |
| L K HOIST CO., LTD.                       |                  |          |          |                |         |

## SCHEDULE OF TECHNICAL DATA

|   |                             |
|---|-----------------------------|
| 1. SERVICE                                  | HOISTING                    |
| 2. MANUFACTURE                              | LK HOIST CO. LTD            |
| 3. MOTOR MODEL NO                           | 3.5 - 4 - 22                |
| 4. RATED POWER                              | 3.5 KW × 4 P                |
| 5. RATED VOLTAGE AND FREQUENCY              | 220 V      60HZ             |
| 6. MOTOR TYPE                               | SQUIRREL CAGE ROTOR TYPE    |
| 7. RATING                                   | 30 MIN                      |
| 8. LOCATION                                 | IN-DOOR , OUTDOOR           |
| 9. INSULATION CLASS                         | B                           |
| 10. DESIGN TEMPERATURE RISE (BY RESISTANCE) | 80℃                         |
| 11. FULL LOAD SPEED                         | 1740 RPM                    |
| 12. FULL LOAD CURRENT                       | 17.2 A                      |
| 13. STARTING CURRENT AT RATED VOLTAGE       | 85.1 A                      |
| 14. MINIMUM STARTING VOLTAGE                | 198 V                       |
| 15. EFFICIENCY AT 100% RATED LOAD           | 73.5 %                      |
| 16. POWER FACTOR AT 100% RATED LOAD         | 72.7 %                      |
| 17. STARTING TORQUE                         | 240 %                       |
| 18. TYPE OF ENCLOSURE                       | 전폐형(IP-54)                  |
| 19. TYPE OF BEARING                         | PL : 6205DD    OPL : 6008ZZ |
| 20. MOUNTING                                | VERTICAL                    |
| 21. MAXIMUM AMBIENT TEMPURE                 | 40℃                         |
| 22. BEARING LUBRICATION                     | GREASE                      |
| 23. STARTING METHOD                         | FULL VOLTAGE                |

## SCHEDULE OF TECHNICAL DATA

|   |                             |
|---|-----------------------------|
| 1. SERVICE                                  | TRAVERSING                  |
| 2. MANUFACTURE                              | LK HOIST CO. LTD            |
| 3. MOTOR MODEL NO                           | 0.75 - 4 - 22               |
| 4. RATED POWER                              | 0.75 KW × 4 P               |
| 5. RATED VOLTAGE AND FREQUENCY              | 220 V      60HZ             |
| 6. MOTOR TYPE                               | SQUIRREL CAGE ROTOR TYPE    |
| 7. RATING                                   | 15 MIN                      |
| 8. LOCATION                                 | OUTDOOR                     |
| 9. INSULATION CLASS                         | B                           |
| 10. DESIGN TEMPERATURE RISE (BY RESISTANCE) | 100℃                        |
| 11. FULL LOAD SPEED                         | 1710 RPM                    |
| 12. FULL LOAD CURRENT                       | 4.8 A                       |
| 13. STARTING CURRENT AT RATED VOLTAGE       | 26.4 A                      |
| 14. MINIMUM STARTING VOLTAGE                | 198 V                       |
| 15. EFFICIENCY AT 100% RATED LOAD           | 65 %                        |
| 16. POWER FACTOR AT 100% RATED LOAD         | 63 %                        |
| 17. STARTING TORQUE                         | 250 %                       |
| 18. TYPE OF ENCLOSURE                       | 전폐형                         |
| 19. TYPE OF BEARING                         | PL : 6008DD    OPL : 6207ZZ |
| 20. MOUNTING                                | VERTICAL                    |
| 21. MAXIMUM AMBIENT TEMPURE                 | 40℃                         |
| 22. BEARING LUBRICATION                     | GREASE                      |
| 23. STARTING METHOD                         | FULL VOLTAGE                |

## SCHEDULE OF TECHNICAL DATA

|   |                             |
|---|-----------------------------|
| 1. SERVICE                                  | TRAVERSING                  |
| 2. MANUFACTURE                              | LK HOIST CO. LTD            |
| 3. MOTOR MODEL NO                           | 0.5 - 6 - 22                |
| 4. RATED POWER                              | 0.5 KW × 6 P                |
| 5. RATED VOLTAGE AND FREQUENCY              | 220 V      60HZ             |
| 6. ROTOR TYPE                               | SQUIRREL CAGE ROTOR TYPE    |
| 7. RATING                                   | 15 MIN                      |
| 8. LOCATION                                 | OUTDOOR                     |
| 9. INSULATION CLASS                         | B                           |
| 10. DESIGN TEMPERATURE RISE (BY RESISTANCE) | 100℃                        |
| 11. FULL LOAD SPEED                         | 1140 RPM                    |
| 12. FULL LOAD CURRENT                       | 3.2 A                       |
| 13. STARTING CURRENT AT RATED VOLTAGE       | 17.5 A                      |
| 14. MINIMUM STARTING VOLTAGE                | 198 V                       |
| 15. EFFICIENCY AT 100% RATED LOAD           | 65 %                        |
| 16. POWER FACTOR AT 100% RATED LOAD         | 63 %                        |
| 17. STARTING TORQUE                         | 250 %                       |
| 18. TYPE OF ENCLOSURE                       | 전폐형                         |
| 19. TYPE OF BEARING                         | PL : 6008DD    OPL : 6207ZZ |
| 20. MOUNTING                                | VERTICAL                    |
| 21. MAXIMUM AMBIENT TEMPERATURE             | 40℃                         |
| 22. BEARING LUBRICATION                     | GREASE                      |
| 23. STARTING METHOD                         | FULL VOLTAGE                |

## SCHEDULE OF TECHNICAL DATA

|   |                             |
|---|-----------------------------|
| 1. SERVICE                                  | TRAVERSING                  |
| 2. MANUFACTURE                              | LK HOIST CO. LTD            |
| 3. MOTOR MODEL NO                           | 0.75/0.25 - 4/12 - 22       |
| 4. RATED POWER                              | 0.75/0.25 KW × 4/12 P       |
| 5. RATED VOLTAGE AND FREQUENCY              | 220 V      60HZ             |
| 6. MOTOR TYPE                               | SQUIRREL CAGE ROTOR TYPE    |
| 7. RATING                                   | 15 MIN                      |
| 8. LOCATION                                 | OUTDOOR                     |
| 9. INSULATION CLASS                         | B                           |
| 10. DESIGN TEMPERATURE RISE (BY RESISTANCE) | 100℃                        |
| 11. FULL LOAD SPEED                         | 1710 / 550 RPM              |
| 12. FULL LOAD CURRENT                       | 4.8 / 3.0 A                 |
| 13. STARTING CURRENT AT RATED VOLTAGE       | 26.4 / 16.5 A               |
| 14. MINIMUM STARTING VOLTAGE                | 198 V                       |
| 15. EFFICIENCY AT 100% RATED LOAD           | 65 / 48 %                   |
| 16. POWER FACTOR AT 100% RATED LOAD         | 63 / 46 %                   |
| 17. STARTING TORQUE                         | 249 / 245 %                 |
| 18. TYPE OF ENCLOSURE                       | 전폐형                         |
| 19. TYPE OF BEARING                         | PL : 6008DD    OPL : 6207ZZ |
| 20. MOUNTING                                | VERTICAL                    |
| 21. MAXIMUM AMBIENT TEMPURE                 | 40℃                         |
| 22. BEARING LUBRICATION                     | GREASE                      |
| 23. STARTING METHOD                         | FULL VOLTAGE                |