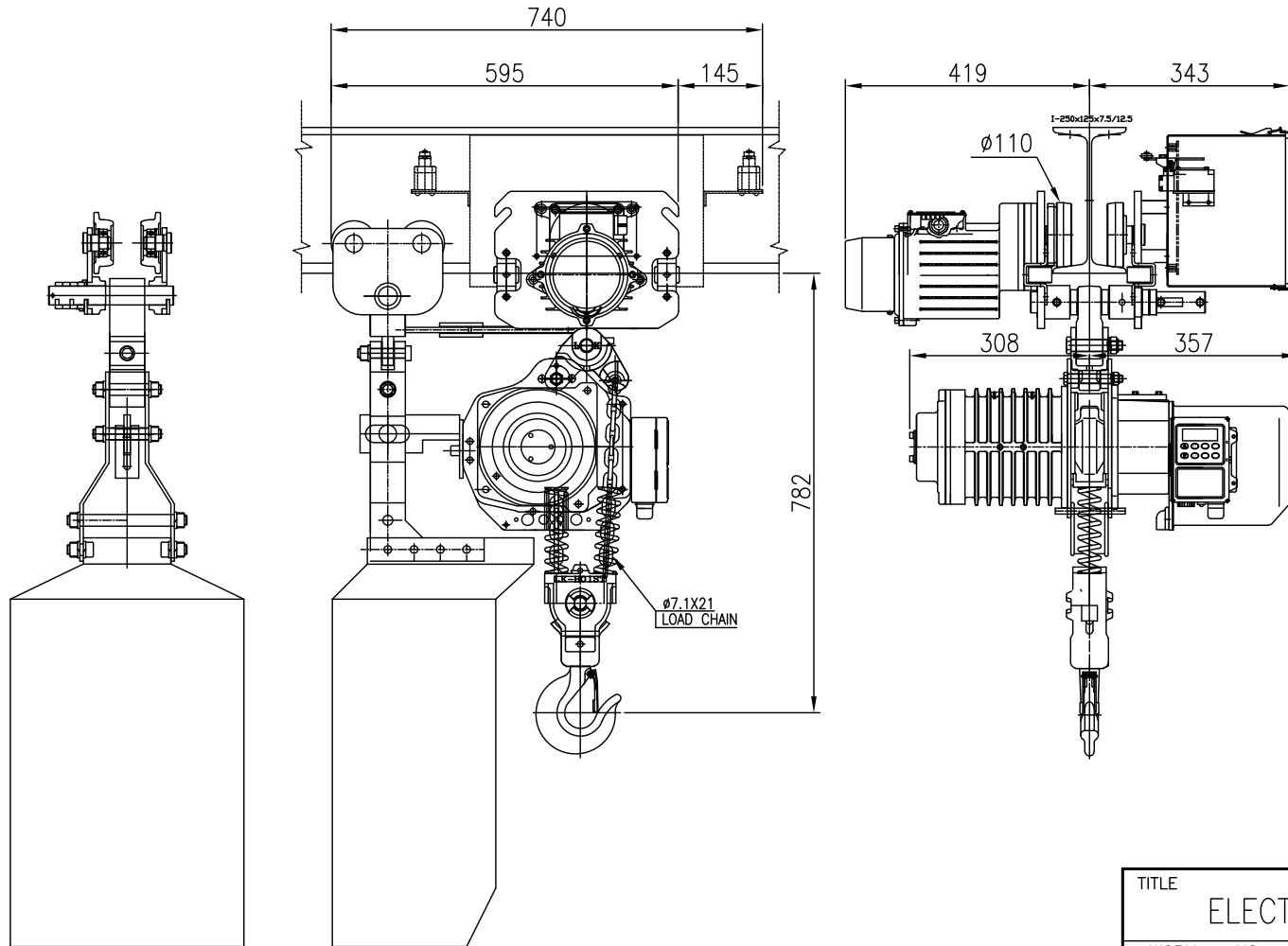


L K HOIST

NO	DESCRIPTION	MAT' L	Q' TY	WT (kg)	REMARKS



SPECIFICATION

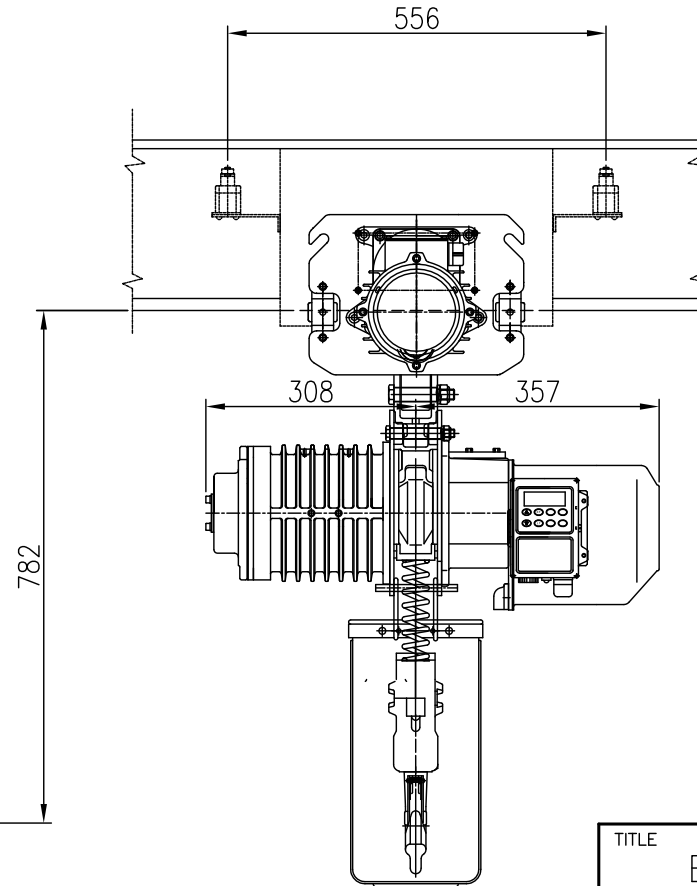
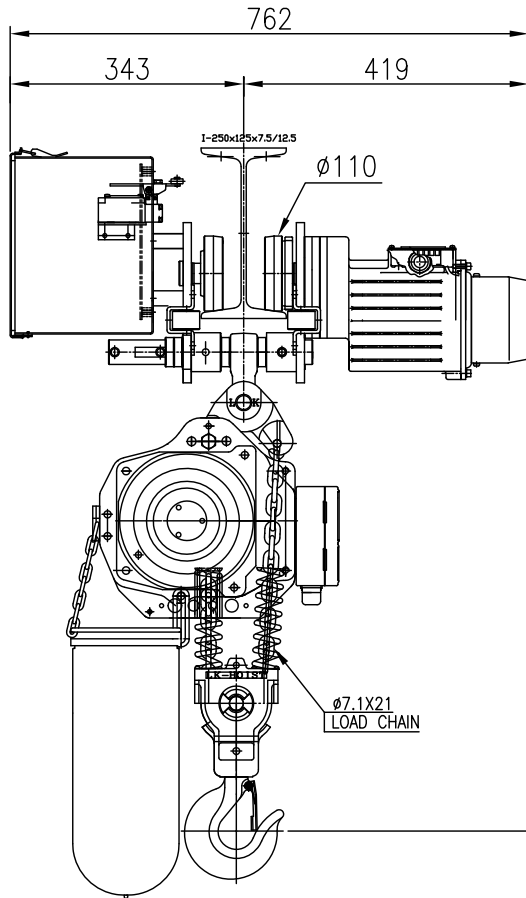
		LK-DAMSD-2W	
RATED LOAD	(TON)	2.0	
TESTING LOAD	(TON)	2.5	
LIFTING HEIGHT	(M)	50	
HOISTING	SPEED (M/MIN)	4.1	
	MOTOR (KW)	1.8kw x 4p	
TRAVERSING	SPEED (M/MIN)	21	14
	MOTOR (KW)	0.75kw x 4p	0.4kw x 6p
POWER SUPPLY	AC220.380.440.460.480V x 3 ϕ x 60 Hz		
OPERATING METHOD	P.B type ON . FL		
LOAD CHAIN	$\phi 7.1 \times 21(2FALL)$		
WEIGHT	(KG)	240KG	
I-BEAM 적용폭		100 ~ 190MM	

TITLE					PROJECTION	
ELECTRIC CHAIN HOIST DAMSD-2W						
WORK NO	WORK NAME				SCALE	Q' TY
4	LK-DAMSD-2W				1/1	1
DRAWN	CHECKED	REVIEWED	APPROVED	DRAWING NO		
김 창 기				CODE NO		
2012.09.11						
L K HOIST CO., LTD.						

REV.NO	DATE	REVISION	DESCRIPTION	DRAWN	CHECKED	APPROVED

L K HOIST

NO	DESCRIPTION	MAT' L	Q' TY	WT (kg)	REMARKS



SPECIFICATION

		LK-DAMSD-2W
RATED LOAD	(TON)	2.0
TESTING LOAD	(TON)	2.5
LIFTING HEIGHT	(M)	50
HOISTING	SPEED (M/MIN)	4.1
	MOTOR (KW)	1.8kw x 4p
TRAVERSING	SPEED (M/MIN)	21 14
	MOTOR (KW)	0.75kw x 4p 0.4kw x 6p
POWER SUPPLY	AC220.380.440.460.480Vx3φ x 60 Hz	
OPERATING METHOD	P.B type ON . FL	
LOAD CHAIN	φ7.1 X 21(2FALL)	
WEIGHT	(KG)	240KG
I-BEAM 적용폭	100 ~ 190MM	

TITLE					PROJECTION	
ELECTRIC CHAIN HOIST DAMSD-2W						
WORK NO	WORK NAME				SCALE	Q' TY
4	LK-DAMSD-2W				1/1	1
DRAWN	CHECKED	REVIEWED	APPROVED	DRAWING NO		
김 창 기				CODE NO		
2012.09.11						

REV.NO	DATE	REVISION	DESCRIPTION	DRAWN	CHECKED	APPROVED



L K HOIST CO., LTD.