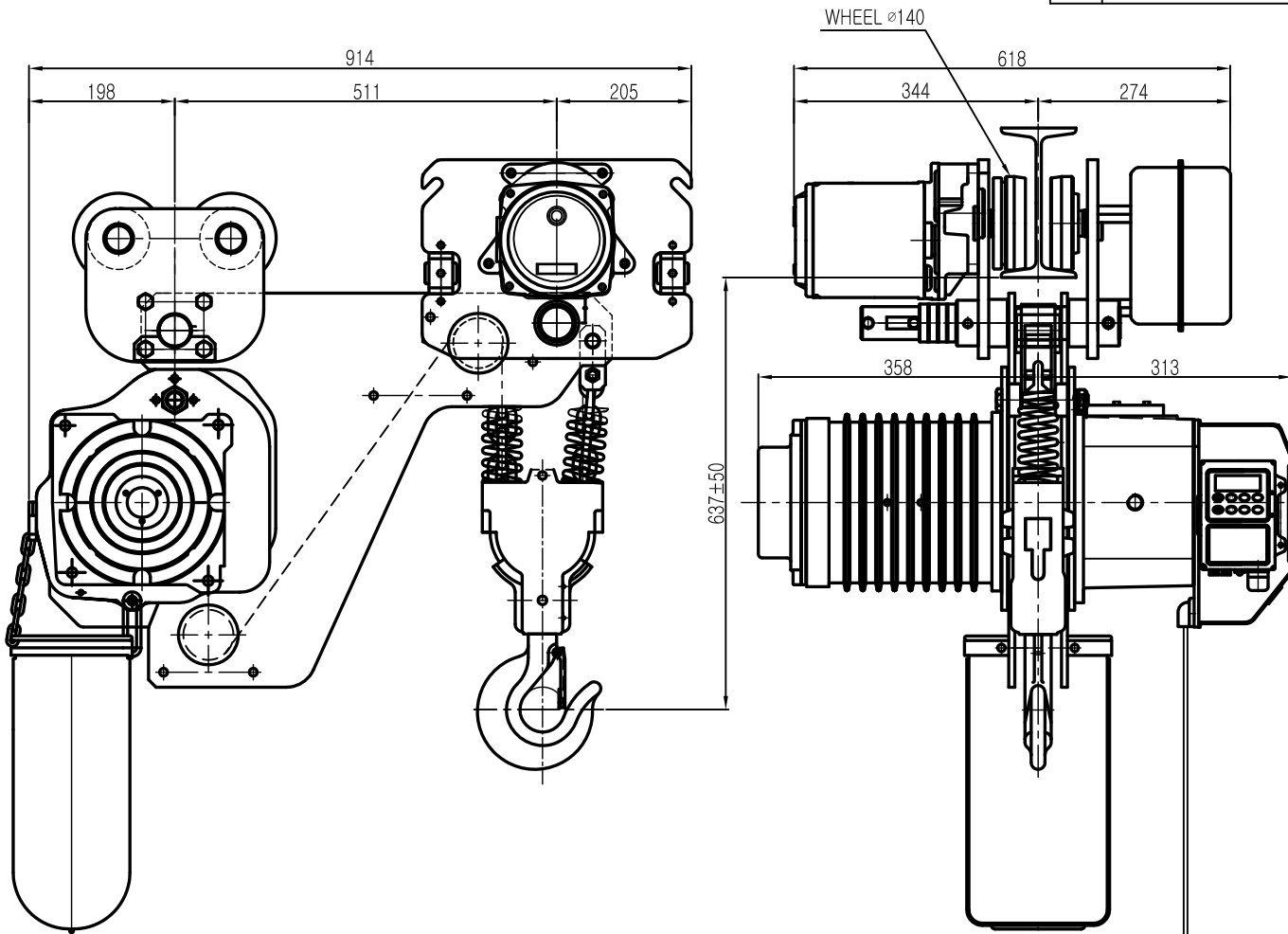


ON 5MG

L K HOIST

NO	DESCRIPTION	SIZE	MAT'L	Q'TY	WT (kg)	REMARKS



SPECIFICATION

		LK-SHDAM-5W		
RATED LOAD	(TON)	5.0		
TESTING LOAD	(TON)	6.25		
LIFTING HEIGHT	(M)	50		
HOISTING	SPEED (M/MIN)	3.25		
	MOTOR (KW)	3.5kw x 4p		
TRAVERSING	SPEED (M/MIN)	20	14	20/7
	MOTOR (KW)	0.75kw x 4p	0.4kw x 6p	0.75/0.25kw x 4/12p
POWER SUPPLY	AC220,380,440,460,480Vx3ø x 60 Hz			
OPERATING METHOD	P.B type ON . FL			
LOAD CHAIN	ø11.2 X 34 (2FALL)			
WEIGHT	(KG)	610		
I-BEAM 적용폭	125 ~ 190MM			

NOTE

- 1) 점검 설비를 갖출 것
- 2) 인허가 서류를 완성검사시 제출 할 것

적용 I-BEAM)

- 1) 지점간거리 : I-250X125X7.5/12.5-2.5M
- 2) 지점간거리 : I-300X150X10/18.5-5.0M
- 3) 지점간거리 : I-450X175X13/26-9.0M
- 4) 지점간거리 : I-600X190X13/25-12M

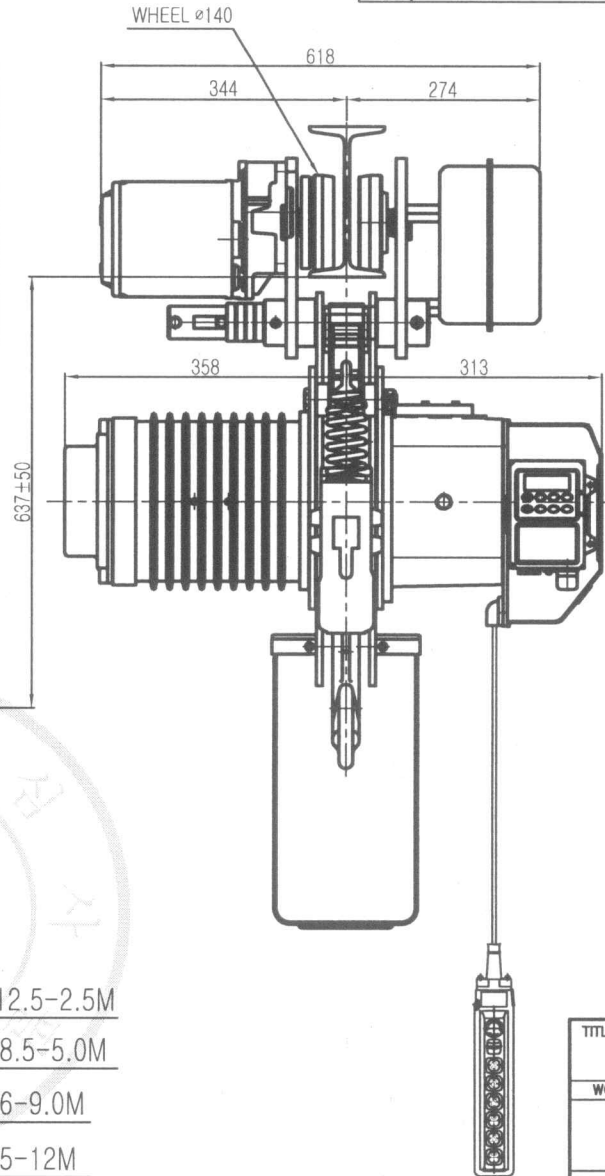
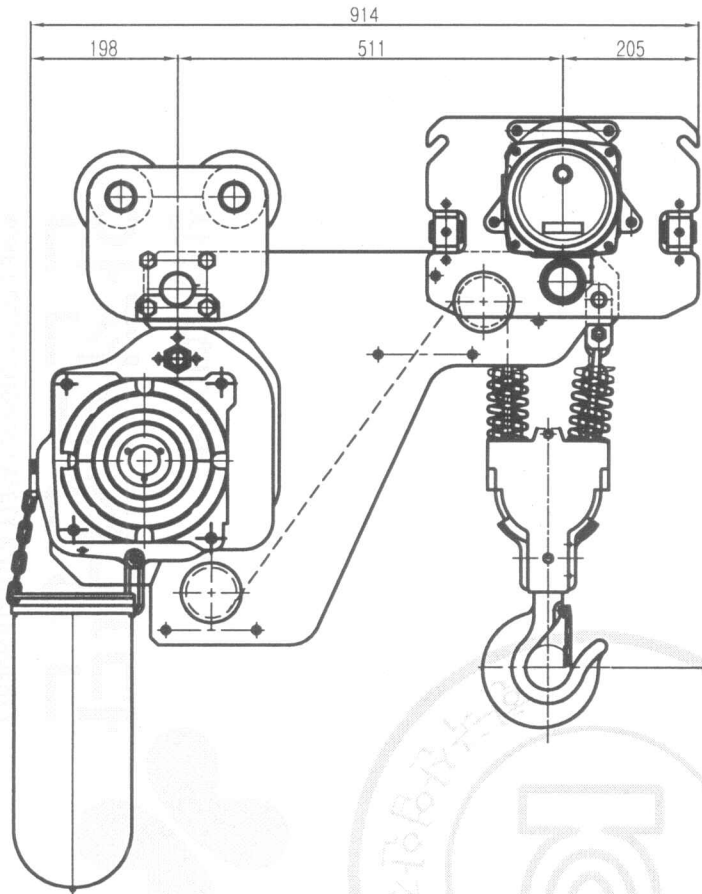
TITLE		ELECTRIC CHAIN HOIST			PROJECTION	
WORK NO	WORK NAME			SCALE	Q' TY	
DRAWN	LK-SHDAM-5W					
CHECKED	REVIEWED	APPROVED	DRAWING NO			
2010.08.01			CORD NO			
L K HOIST CO., LTD.						

REV.NO	DATE	REVISION	DESCRIPTION	DRAWN	CHECKED	APPROVED

ON GMD

L K HOIST

NO	DESCRIPTION	SIZE	MAT L	Q' TY	WT (kg)	REMARKS



SPECIFICATION

		LK-SHDAM-5W		
RATED LOAD	(TON)	5.0		
TESTING LOAD	(TON)	6.25		
LIFTING HEIGHT	(M)	50		
HOISTING	SPEED (M/MIN)	3.25		
	MOTOR (KW)	3.5kw x 4p		
TRAVERSING	SPEED (M/MIN)	20	14	20/7
	MOTOR (KW)	0.75kw x 4p	0.4kw x 6p	0.75/0.25kw x 4/12p
POWER SUPPLY		AC220,380,440,460,480Vx3φ x 60 Hz		
OPERATING METHOD		P.B type ON . FL		
LOAD CHAIN		φ11.2 X 34 (2FALL)		
WEIGHT	(KG)	610		
I-BEAM 적용폭		125 ~ 190MM		

NOTE)

- 1) 점검 설비를 갖출 것
- 2) 인허가 서류를 완성검사시 제출 할 것

적용 I-BEAM)

- 1) 지점간거리 : I-250X125X7.5/12.5-2.5M
- 2) 지점간거리 : I-300X150X10/18.5-5.0M
- 3) 지점간거리 : I-450X175X13/26-9.0M
- 4) 지점간거리 : I-600X190X13/25-12M

REV.NO	DATE	REVISION	DESCRIPTION	DRAWN	CHECKED	APPROVED

TITLE				PROJECTION	
ELECTRIC CHAIN HOIST					
WORK NO	WORK NAME			SCALE	Q' TY
	LK-SHDAM-5W			N S	1
DRAWN	CHECKED	REVIEWED	APPROVED	DRAWING NO	CORD NO
김 창 기					
2010.08.01					
L K HOIST CO., LTD.					

물범복제 및 배포금지