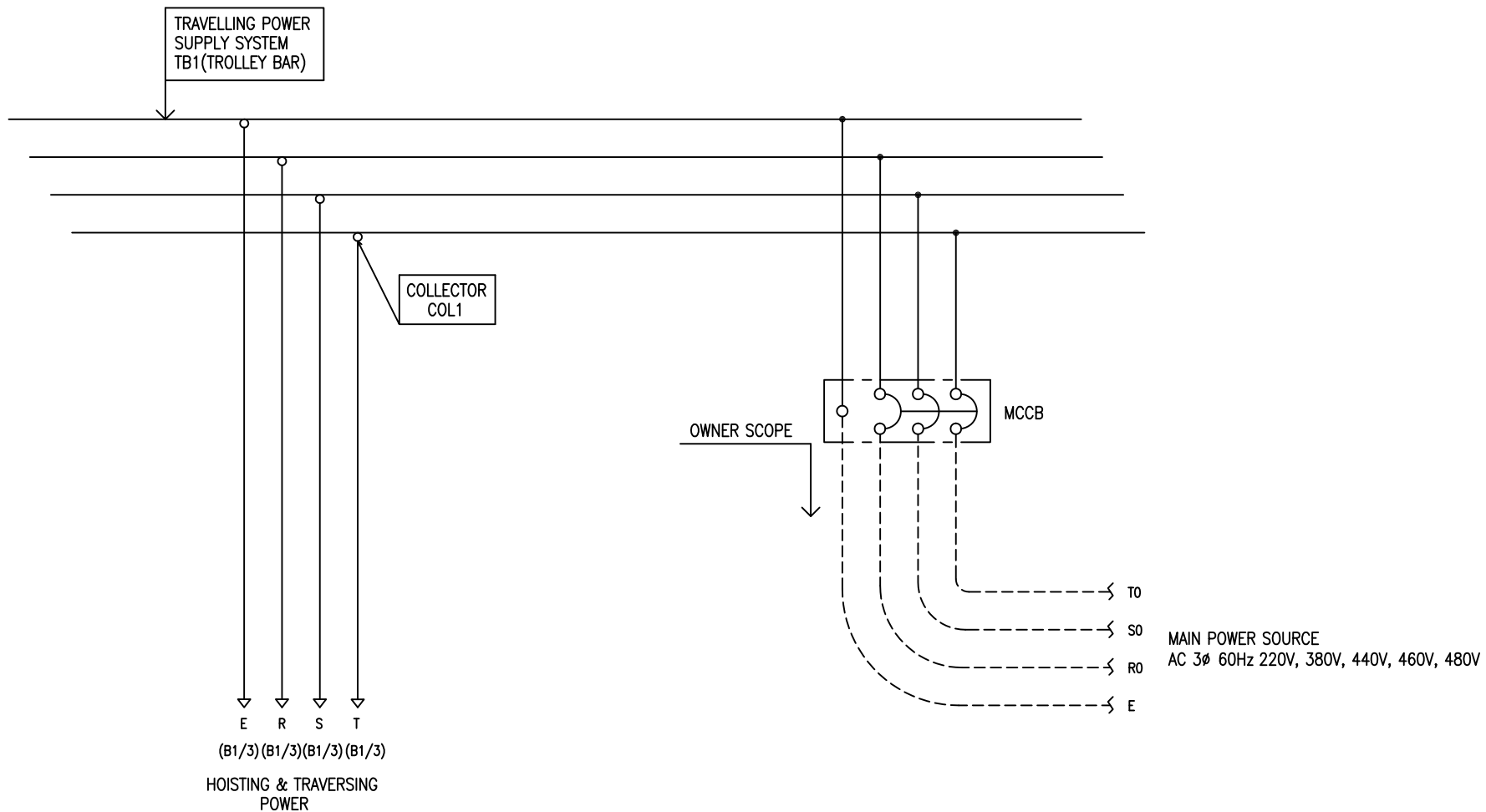


POWER CIRCUIT
TRAVELLING POWER SUPPLY SYSTEM

ADDRESS NO.
A1



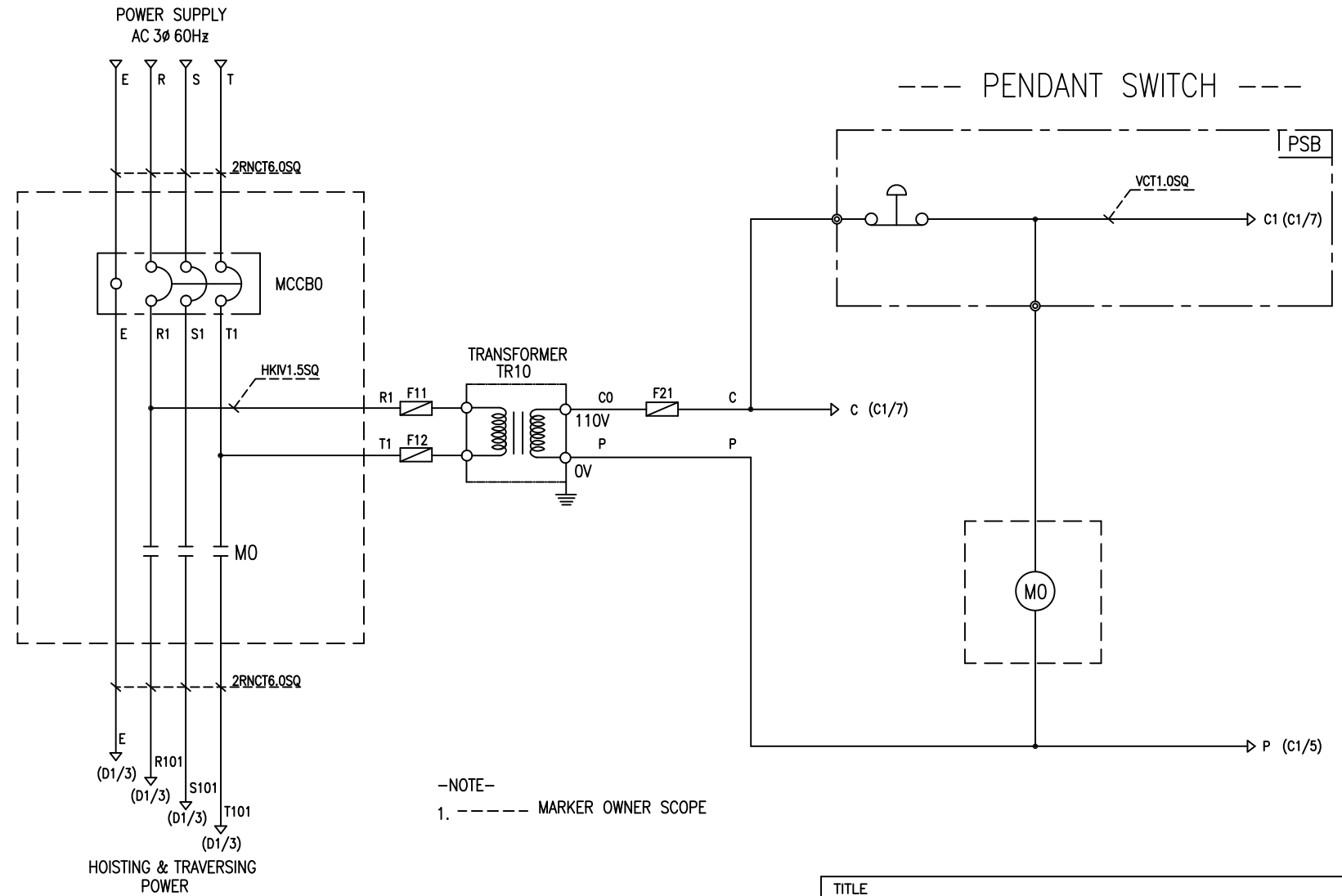
-NOTE-

- 1. - - - - MARKED OWNER SCOPE
- 2. ——— MARKED CRAIN MAKER SCOPE

| | | | | | |
|--------------------------------------|-----------|----------|----------|----------------|-------|
| TITLE MAIN POWER CIRCUIT DIAGRAM1 | | | | PROJECTION | |
| WORK NO | WORK NAME | | | SCALE | Q' TY |
| 601 | DAM | | | 1/1 | 1 |
| 220V, 380V, 440V, 460V, 480V | | | | | |
| DRAWN | CHECKED | REVIEWED | APPROVED | DRAWING NO | DAM |
| LEE G.H. | | | | CODE NO | |
| 2012.09.10 | | | | | |
| L K HOIST CO., LTD. | | | | | |

POWER CIRCUIT

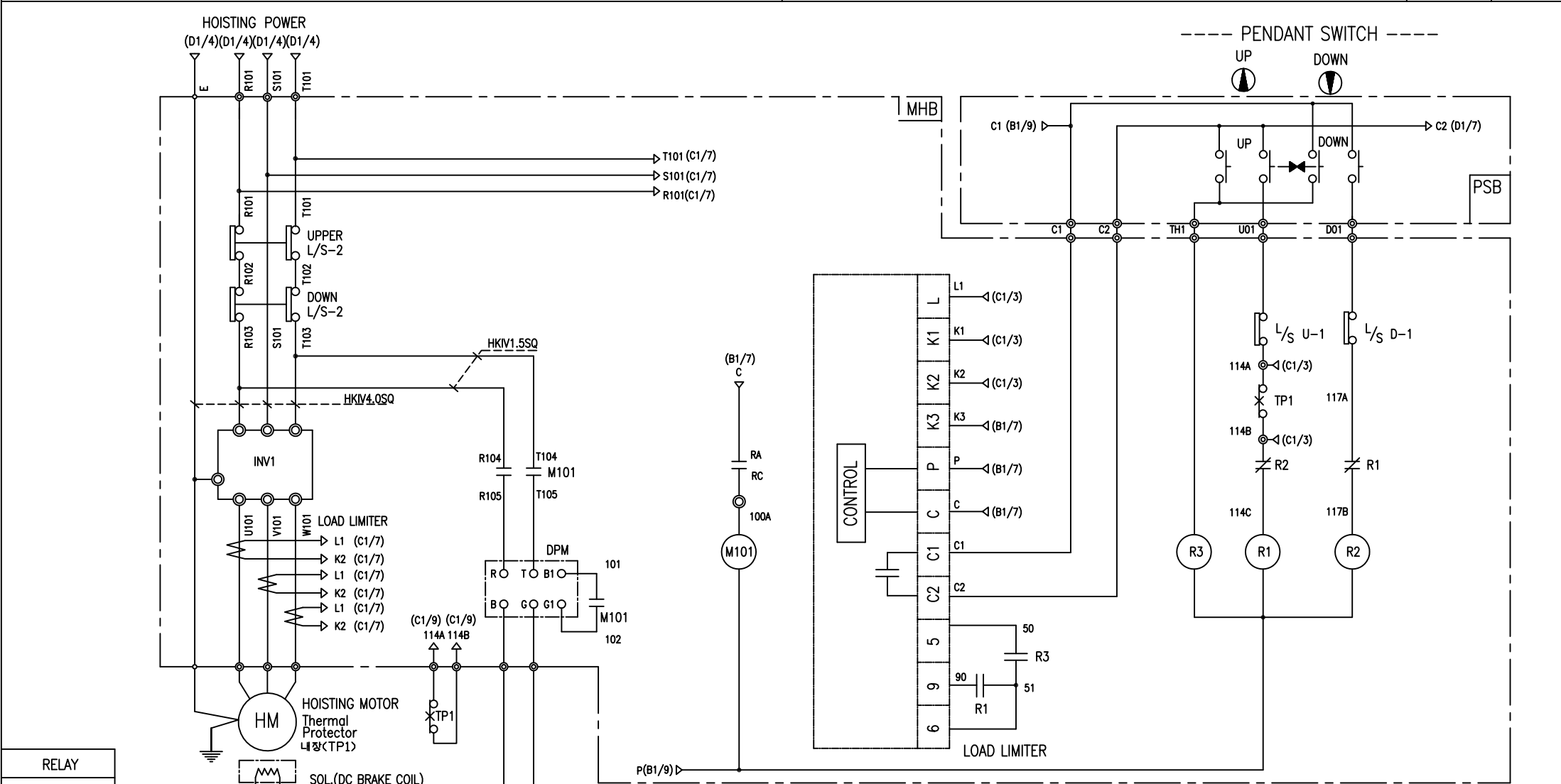
CONTROL CIRCUIT



-NOTE-
1. ----- MARKER OWNER SCOPE

| SPECIFICATION | NO FUSE BREAKER | MAGNET CONTACT | TRANSFORMER | FUSE | | |
|---------------|-----------------|----------------|-------------|---------------|------|----|
| SYMBOLS | MCCBO | MO | TR10 | F11, F12, F21 | | |
| DESCRIPTION | 220V | 50A | GMC22 | DMC-22 | 40VA | 1A |
| | 380V | 30A | | | | |
| | 440V | 20A | | | | |
| | 460V | 20A | | | | |
| | 480V | 20A | | | | |
| MAKER | LS | LS | DONGA | LK | - | |

| TITLE | | | | | | PROJECTION | |
|--------------------------------------|-----------|----------|----------|---------|-----|------------|-------|
| MAIN POWER & CONTROL CIRCUIT DIAGRAM | | | | | | | |
| WORK NO | WORK NAME | | | | | SCALE | Q' TY |
| 602 | DAM | | | | | 1/1 | 1 |
| 220V, 380V, 440V, 460V, 480V | | | | | | | |
| DRAWN | CHECKED | REVIEWED | APPROVED | MODEL | DAM | | |
| LEE.G.H | | | | CODE NO | | | |
| 2012.09.10 | | | | | | | |
| | | | | | | | |

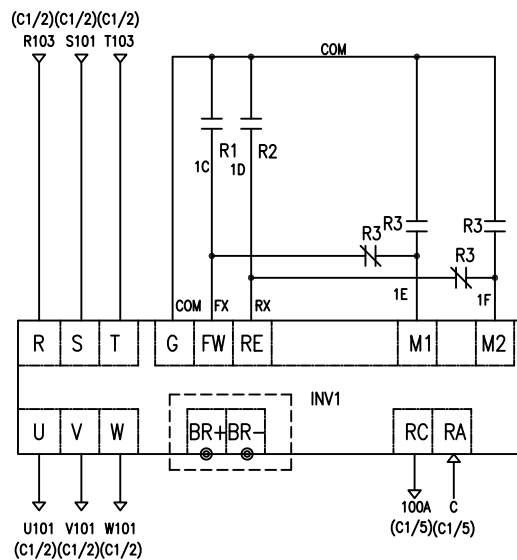


-NOTE-
 1. : Mechanical Interlock

| | |
|---------------|----------------|
| RELAY | R1, R2, R3 |
| 4A4B | |
| KACON | |
| SPECIFICATION | MAGNET CONTACT |
| SYMBOLS | M101 |
| DESCRIPTION | DMC25C |
| MAKER | DONG-A |

| | | | | | | | | | |
|---------------|----------------|--------------|-------------------|--------|--------|--------|-------------------|-------------|------------|
| SPECIFICATION | MAGNET CONTACT | LOAD LIMITER | SILICON RECTIFIER | | | | Thermal Protector | HOIST MOTOR | |
| SYMBOLS | M101 | - | DPM | | | | TP1 | HM | |
| DESCRIPTION | DMC25C | ALD-90 INV | AC220V | AC380V | AC440V | AC460V | AC480V | 17AM032 | 3.5Kw * 4P |
| MAKER | DONG-A | ASAN | DC99V | DC171V | DC198V | DC207V | DC216V | | |

| | | | | | | | |
|--|---------|------------------|----------|--------------|---------|----------------|------------|
| TITLE HOIST POWER & CONTROL CIRCUIT DIAGRAM | | | | | | PROJECTION | |
| WORK NO 603 | | WORK NAME DAM | | | | SCALE 1/1 | Q' TY 1 |
| 220V, 380V, 440V, 460V, 480V | | | | | | | |
| DRAWN LEE.G.H | CHECKED | REVIEWED | APPROVED | MODEL DAM | CODE NO | | |
| 2012.09.10 | | | | | | | |
| L K HOIST CO., LTD. | | | | | | | |

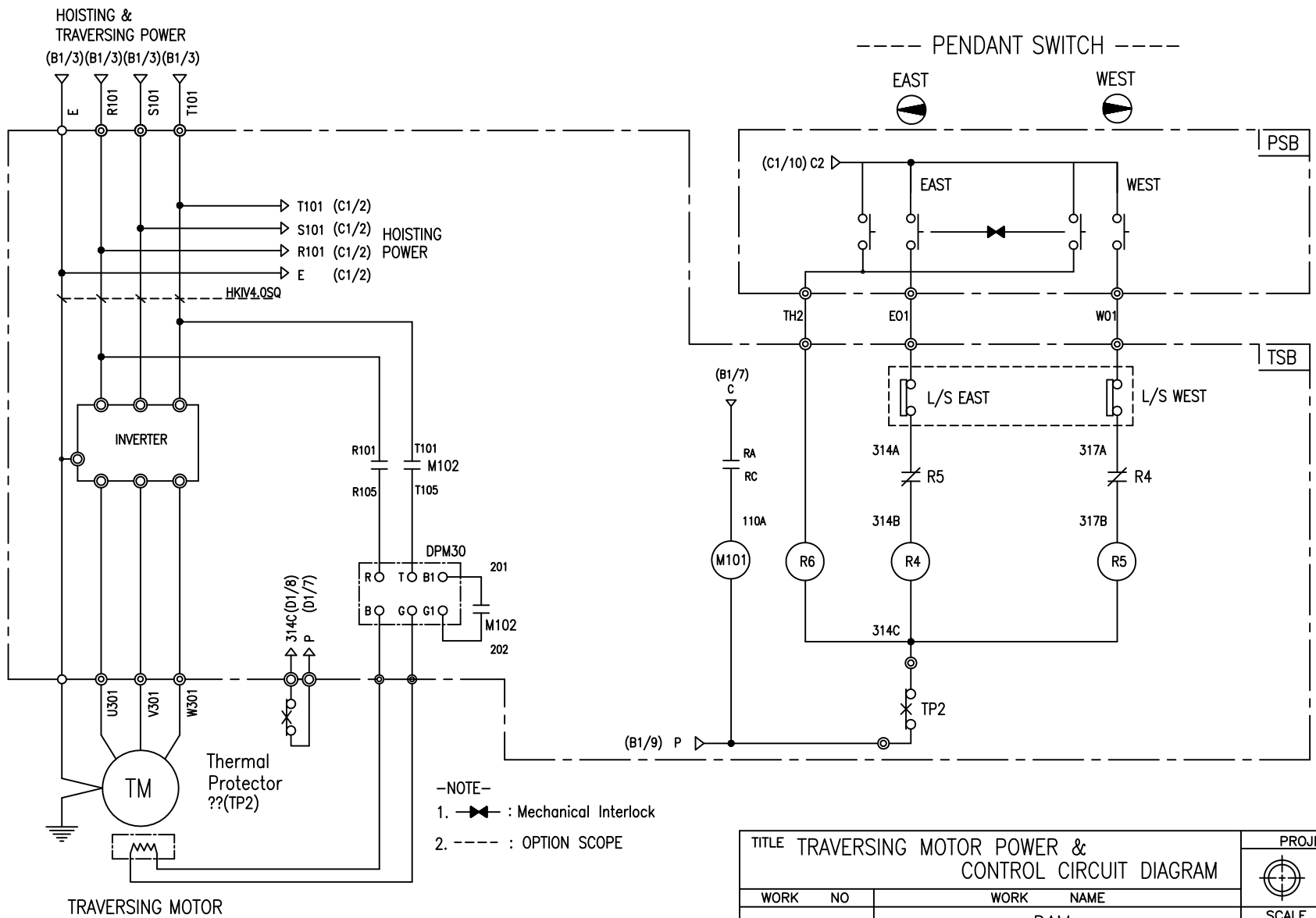


-NOTE-

1. ----- : OPTION SCOPE

| SPECIFICATION | INVERTER | BRAKING RESISTOR |
|---------------|----------|------------------|
| SYMBOLS | INV1 | BR |
| DESCRIPTION | 3.7KW | 400W 150 OHM |
| MAKER | ROCKWELL | - |

| TITLE | | | | | | (D1/6) PROJECTION | |
|----------------------------------|-----------|----------|----------|---------|-----|-------------------|-------|
| INVERTER CONTROL CIRCUIT DIAGRAM | | | | | | | |
| WORK NO. | WORK NAME | | | | | SCALE | Q' TY |
| 604 | HOISTING | | | | | 1/1 | 1 |
| 220V, 380V, 440V, 460V, 480V | | | | | | | |
| DRAWN | CHECKED | REVIEWED | APPROVED | MODEL | DAM | | |
| LEE.G.H | | | | | | | |
| 2012.09.10 | | | | CODE NO | | | |
| | | | | | | | |



| |
|------------|
| RELAY |
| R4, R5, R6 |
| 4A4B |
| KACON |

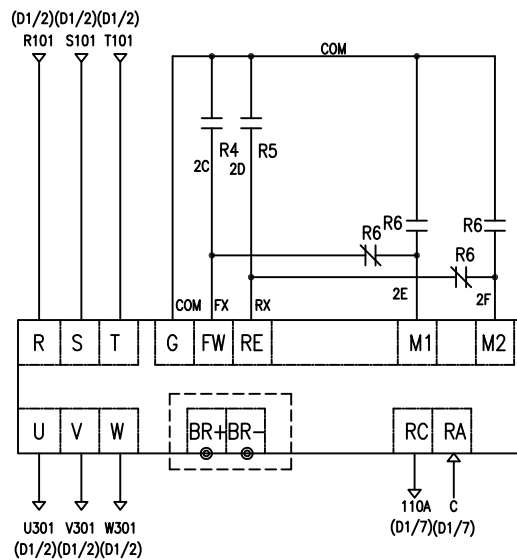
| | | | | | | | | | | |
|---------------|----------------|-------------------|--------|--------|--------|--------|-------------------|------------------|-----------|--|
| SPECIFICATION | MAGNET CONTACT | SILICON RECTIFIER | | | | | Thermal Protector | TRAVERSING MOTOR | | |
| SYMBOLS | M102 | DPM30 | | | | | TP2 | TM | | |
| DESCRIPTION | DMC12 | AC220V | AC380V | AC440V | AC460V | AC480V | 17AM032 | 0.75KW *4P | 0.4KW *6P | |
| | | DC99V | DC171V | DC198V | DC207V | DC216V | | | | |
| MAKER | DONG-A | LK | | | | | Texas Instruments | LK | | |

| | | | | | | | | |
|--|---------|----------|----------|-------|---------|--|------------|-------|
| TITLE TRAVERSING MOTOR POWER & CONTROL CIRCUIT DIAGRAM | | | | | | | PROJECTION | |
| WORK NO. 605 WORK NAME DAM | | | | | | | | |
| 220V, 380V, 440V, 460V, 480V | | | | | | | SCALE | Q' TY |
| 1/1 1 | | | | | | | | |
| DRAWN | CHECKED | REVIEWED | APPROVED | MODEL | DAM | | | |
| LEE.G.H | | | | | CODE NO | | | |
| 2012.09.10 | | | | | | | | |
| L K HOIST CO., LTD. | | | | | | | | |

HOIST CONTROL CIRCUIT

ADDRESS NO.

D2



-NOTE-

1. ----- : OPTION SCOPE

| SPECIFICATION | INVERTER | BRAKING RESISTOR |
|---------------|----------|------------------|
| SYMBOLS | INV2 | BR |
| DESCRIPTION | 0.75KW | 80W 750 OHM |
| MAKER | ROCKWELL | - |

| TITLE | | | | | | (D1/6) PROJECTION | |
|----------------------------------|------------|----------|----------|---------|-----|-------------------|-------|
| INVERTER CONTROL CIRCUIT DIAGRAM | | | | | | | |
| WORK NO | WORK NAME | | | | | SCALE | Q' TY |
| 606 | TRAVERSING | | | | | 1/1 | 1 |
| 220V, 380V, 440V, 460V, 480V | | | | | | | |
| DRAWN | CHECKED | REVIEWED | APPROVED | MODEL | DAM | | |
| LEE.G.H | | | | CODE NO | | | |
| 2012.09.10 | | | | | | | |
| L K HOIST CO., LTD. | | | | | | | |

SCHEDULE OF TECHNICAL DATA

| | |
|---|-----------------------------|
| 1. SERVICE | HOISTING |
| 2. MANUFACTURE | LK HOIST CO. LTD |
| 3. MOTOR MODEL NO | 3.5 - 4 - 22 |
| 4. RATED POWER | 3.5 KW × 4 P |
| 5. RATED VOLTAGE AND FREQUENCY | 220 V 60HZ |
| 6. MOTOR TYPE | SQUIRREL CAGE ROTOR TYPE |
| 7. RATING | 30 MIN |
| 8. LOCATION | IN-DOOR , OUTDOOR |
| 9. INSULATION CLASS | B |
| 10. DESIGN TEMPERATURE RISE (BY RESISTANCE) | 80℃ |
| 11. FULL LOAD SPEED | 1740 RPM |
| 12. FULL LOAD CURRENT | 17.2 A |
| 13. STARTING CURRENT AT RATED VOLTAGE | 85.1 A |
| 14. MINIMUM STARTING VOLTAGE | 198 V |
| 15. EFFICIENCY AT 100% RATED LOAD | 73.5 % |
| 16. POWER FACTOR AT 100% RATED LOAD | 72.7 % |
| 17. STARTING TORQUE | 240 % |
| 18. TYPE OF ENCLOSURE | 전폐형(IP-54) |
| 19. TYPE OF BEARING | PL : 6205DD OPL : 6008ZZ |
| 20. MOUNTING | VERTICAL |
| 21. MAXIMUM AMBIENT TEMPURE | 40℃ |
| 22. BEARING LUBRICATION | GREASE |
| 23. STARTING METHOD | FULL VOLTAGE |

SCHEDULE OF TECHNICAL DATA

| | |
|---|-----------------------------|
| 1. SERVICE | TRAVERSING |
| 2. MANUFACTURE | LK HOIST CO. LTD |
| 3. MOTOR MODEL NO | 0.75 - 4 - 22 |
| 4. RATED POWER | 0.75 KW × 4 P |
| 5. RATED VOLTAGE AND FREQUENCY | 220 V 60HZ |
| 6. MOTOR TYPE | SQUIRREL CAGE ROTOR TYPE |
| 7. RATING | 15 MIN |
| 8. LOCATION | OUTDOOR |
| 9. INSULATION CLASS | B |
| 10. DESIGN TEMPERATURE RISE (BY RESISTANCE) | 100℃ |
| 11. FULL LOAD SPEED | 1670 RPM |
| 12. FULL LOAD CURRENT | 4.8 A |
| 13. STARTING CURRENT AT RATED VOLTAGE | 26.4 A |
| 14. MINIMUM STARTING VOLTAGE | 198 V |
| 15. EFFICIENCY AT 100% RATED LOAD | 65 % |
| 16. POWER FACTOR AT 100% RATED LOAD | 63 % |
| 17. STARTING TORQUE | 250 % |
| 18. TYPE OF ENCLOSURE | 전폐형 |
| 19. TYPE OF BEARING | PL : 6008DD OPL : 6207ZZ |
| 20. MOUNTING | VERTICAL |
| 21. MAXIMUM AMBIENT TEMPURE | 40℃ |
| 22. BEARING LUBRICATION | GREASE |
| 23. STARTING METHOD | FULL VOLTAGE |

SCHEDULE OF TECHNICAL DATA

| | |
|---|-----------------------------|
| 1. SERVICE | TRAVERSING |
| 2. MANUFACTURE | LK HOIST CO. LTD |
| 3. MOTOR MODEL NO | 0.4 - 6 - 22 |
| 4. RATED POWER | 0.4 KW × 6 P |
| 5. RATED VOLTAGE AND FREQUENCY | 220 V 60HZ |
| 6. ROTOR TYPE | SQUIRREL CAGE ROTOR TYPE |
| 7. RATING | 15 MIN |
| 8. LOCATION | OUTDOOR |
| 9. INSULATION CLASS | B |
| 10. DESIGN TEMPERATURE RISE (BY RESISTANCE) | 100℃ |
| 11. FULL LOAD SPEED | 1140 RPM |
| 12. FULL LOAD CURRENT | 3.2 A |
| 13. STARTING CURRENT AT RATED VOLTAGE | 17.5 A |
| 14. MINIMUM STARTING VOLTAGE | 198 V |
| 15. EFFICIENCY AT 100% RATED LOAD | 65 % |
| 16. POWER FACTOR AT 100% RATED LOAD | 63 % |
| 17. STARTING TORQUE | 250 % |
| 18. TYPE OF ENCLOSURE | 전폐형 |
| 19. TYPE OF BEARING | PL : 6008DD OPL : 6207ZZ |
| 20. MOUNTING | VERTICAL |
| 21. MAXIMUM AMBIENT TEMPERATURE | 40℃ |
| 22. BEARING LUBRICATION | GREASE |
| 23. STARTING METHOD | FULL VOLTAGE |

SCHEDULE OF TECHNICAL DATA

| | |
|---|-----------------------------|
| 1. SERVICE | TRAVERSING |
| 2. MANUFACTURE | LK HOIST CO. LTD |
| 3. MOTOR MODEL NO | 0.75/0.25 - 4/12 - 22 |
| 4. RATED POWER | 0.75/0.25 KW × 4/12 P |
| 5. RATED VOLTAGE AND FREQUENCY | 220 V 60HZ |
| 6. MOTOR TYPE | SQUIRREL CAGE ROTOR TYPE |
| 7. RATING | 15 MIN |
| 8. LOCATION | OUTDOOR |
| 9. INSULATION CLASS | B |
| 10. DESIGN TEMPERATURE RISE (BY RESISTANCE) | 100℃ |
| 11. FULL LOAD SPEED | 1670 / 550 RPM |
| 12. FULL LOAD CURRENT | 4.8 / 3.0 A |
| 13. STARTING CURRENT AT RATED VOLTAGE | 26.4 / 16.5 A |
| 14. MINIMUM STARTING VOLTAGE | 198 V |
| 15. EFFICIENCY AT 100% RATED LOAD | 65 / 48 % |
| 16. POWER FACTOR AT 100% RATED LOAD | 63 / 46 % |
| 17. STARTING TORQUE | 249 / 245 % |
| 18. TYPE OF ENCLOSURE | 전폐형 |
| 19. TYPE OF BEARING | PL : 6008DD OPL : 6207ZZ |
| 20. MOUNTING | VERTICAL |
| 21. MAXIMUM AMBIENT TEMPURE | 40℃ |
| 22. BEARING LUBRICATION | GREASE |
| 23. STARTING METHOD | FULL VOLTAGE |