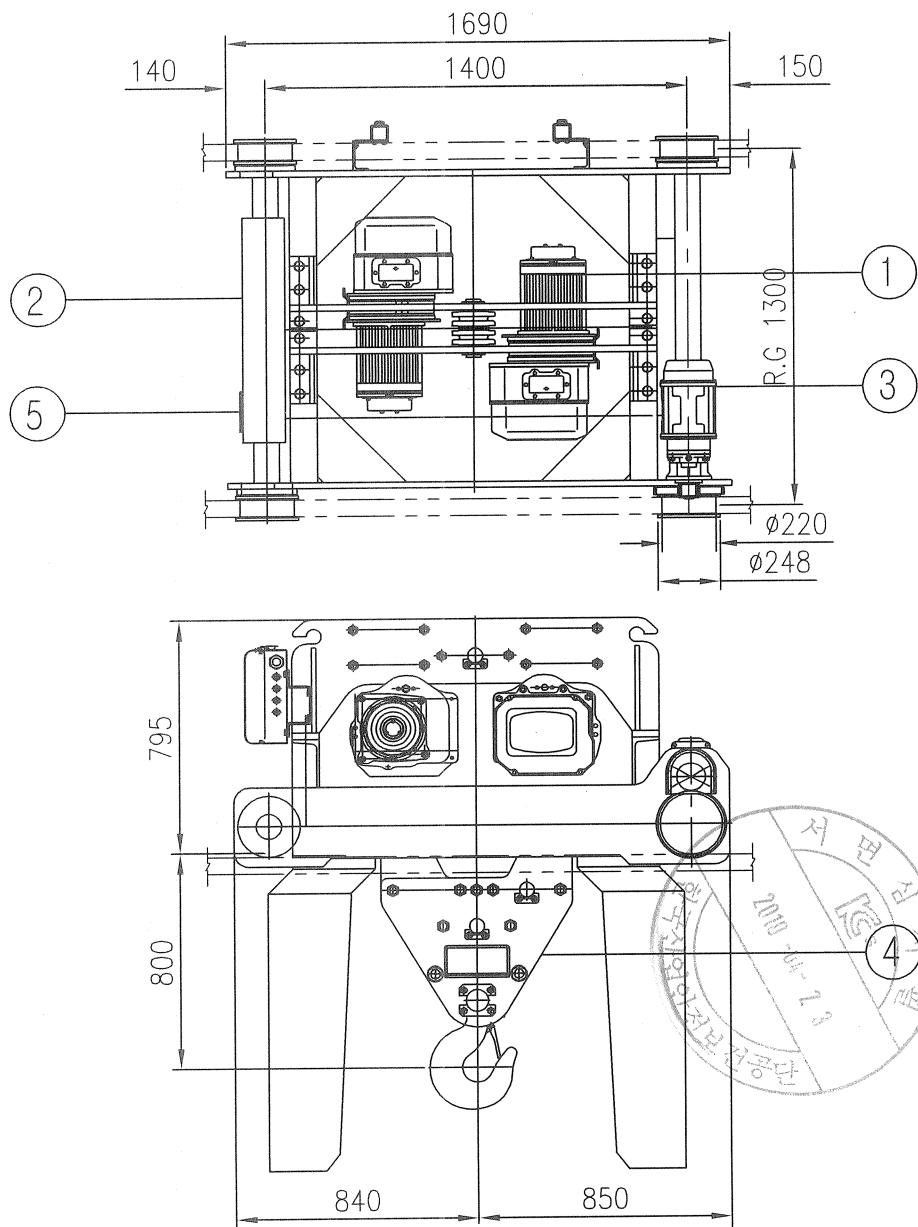


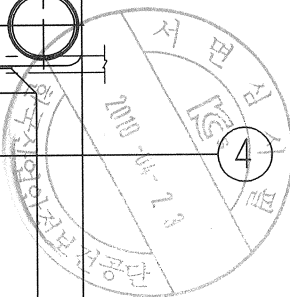
L K HOIST

ON 5MD



NO	DESCRIPTION	SIZE	MAT	REMARKS
1	HOISTING MOTOR ASS'Y		2	
2	HOISTING CONTROL ASS'Y		1	
3	GEARED MOTOR ASS'Y		1	
4	BOTTOM HOOK ASS'Y		1	
5	NAME PLATE		1	

SPECIFICATION		
RATED LOAD	20	TON
TESTING LOAD	25	TON
LIFTING HEIGHT	25	M
	SPEED	MOTOR
HOISTING	1.6 m/min	3.5KW(4P) X 2SET
	15m/min	1.5KW(4P)
TRAVERSING	10m/min	1.0KW(6P)
POWER SUPPLY	AC220.380.440.460.480V x 3-φ x 60 Hz	
OPERATING METHOD	P.B type ON / FL	
WIEGHT	1050KG	
RAIL	22Kg/m	
RAIL gauge	1300MM	
LOAD CHAIN	11.2 X 34 (8줄)	



TITLE				PROJECTION	
LK-DAD-20W CHAIN HOIST					
WORK NO	WORK NAME			SCALE	C/TY
				N/S	1
DRAWN	CHECKED	REVIEWED	APPROVED	DRAWING NO	
김 창 기				CODE NO	
2010.04.05					
L K HOIST CO., LTD.					

REV. NO	DATE	REVISION DESCRIPTION	DRAWN	CHECKED	APPROVED