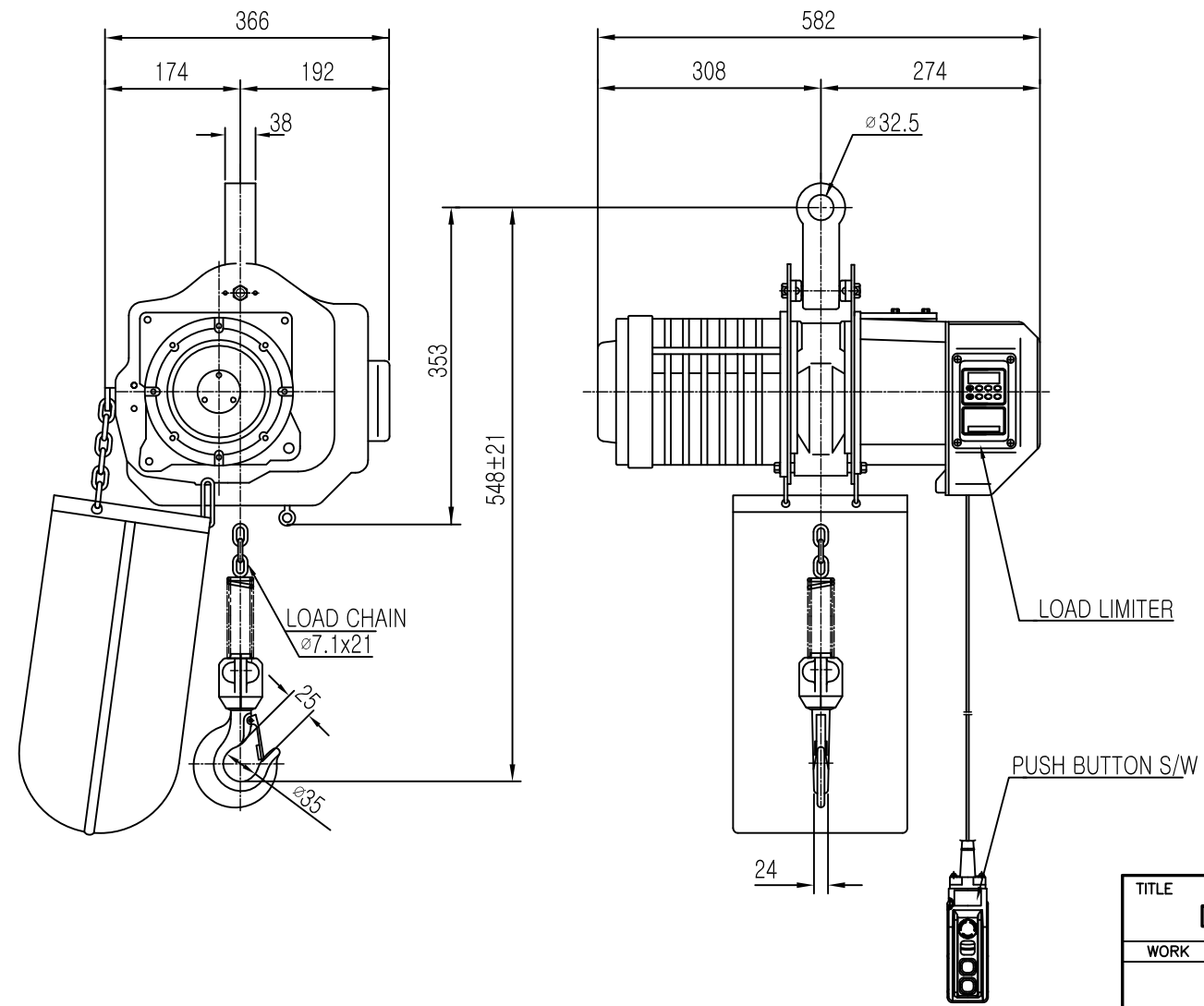


# L K HOIST

ON OMD

NO	DESCRIPTION	SIZE	MAT' L	Q' TY	WT (kg)	REMARKS



SPECIFICATION		
HOISTING LOAD	0.5	TON
TESTING LOAD	0.625	TON
LIFTING HEIGHT	50	M
HOISTING	SPEED	8.2 M/MIN
	MOTOR	1.8 KW x 1 SET
TRAVERSING	SPEED	- M/MIN
	MOTOR	- KW x - SET
POWER SUPPLY	AC220,380,440,460,480Vx 3ø x 60 Hz	
OPERATING METHOD	P.B type ON . FL	
LOAD CHAIN	ø7.1 x 21 (1FALL)	
WIEGHT	125 KG	

**NOTE)**

- 1) 점검 설비를 갖출것.
- 2) 인허가 서류를 완성검사시 제출할것.

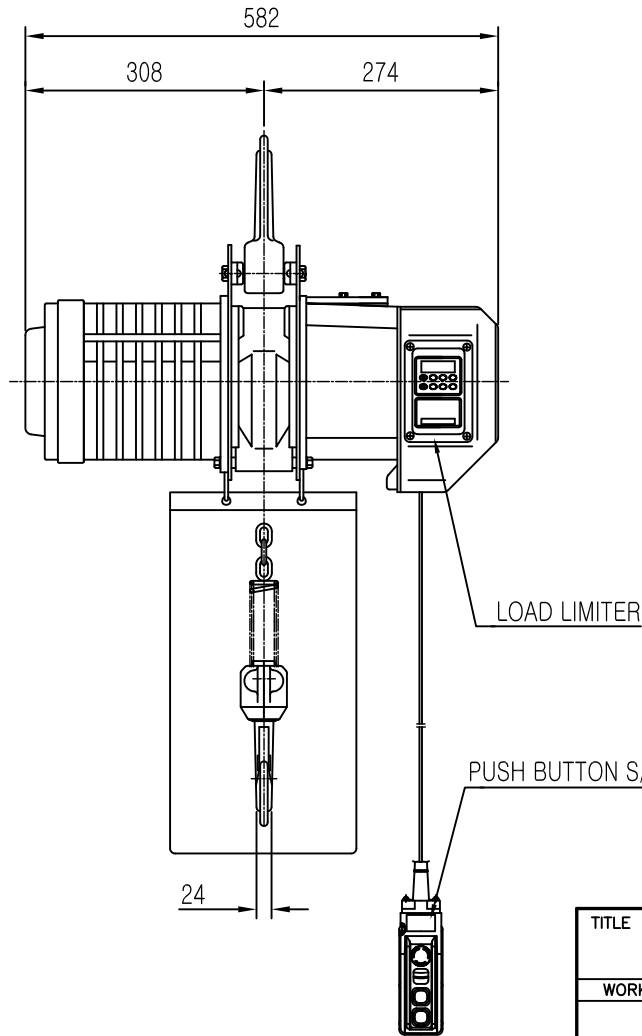
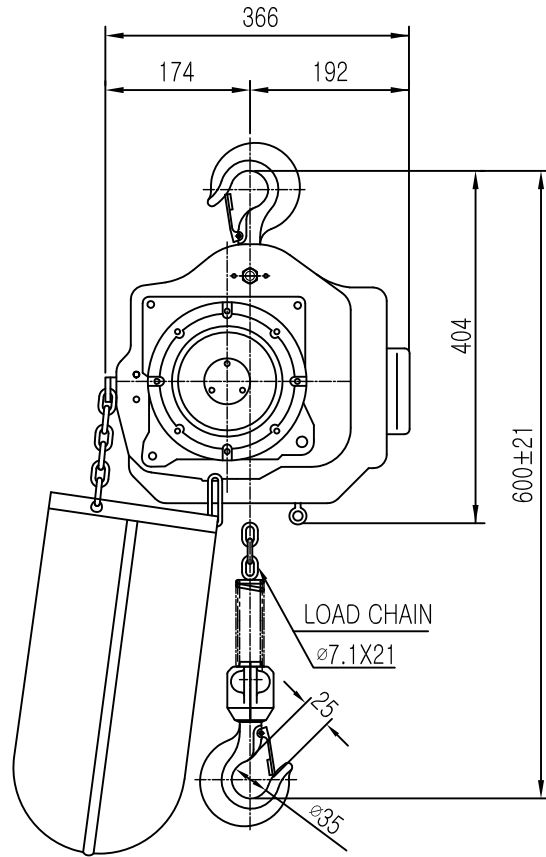
REV.NO	DATE	REVISION	DESCRIPTION	DRAWN	CHECKED	APPROVED

TITLE				PROJECTION	
DA-0.5S ELECTRIC CHAIN HOIST					
WORK NO	WORK NAME			SCALE	Q' TY
	CONNECTOR TYPE			N S	1
DRAWN	CHECKED	REVIEWED	APPROVED	DRAWING NO	
김 창 기					
2010.08.01					
L K HOIST CO., LTD.					

# L K HOIST

ON 5MG

NO	DESCRIPTION	SIZE	MAT' L	Q' TY	WT (kg)	REMARKS



SPECIFICATION	
HOISTING LOAD	0.5 TON
TESTING LOAD	0.625 TON
LIFTING HEIGHT	50 M
HOISTING	SPEED 8.2 M/MIN
	MOTOR 1.8 KW x 1 SET
TRAVERSING	SPEED - M/MIN
	MOTOR - KW x - SET
POWER SUPPLY	AC220,380,440,460,480Vx 3φ x 60 Hz
OPERATING METHOD	P.B type ON . FL
LOAD CHAIN	φ7.1 x 21 (1FALL)
WIEGHT	125 KG

**NOTE)**

- 1) 점검 설비를 갖출것.
- 2) 인허가 서류를 완성검사시 제출할것.

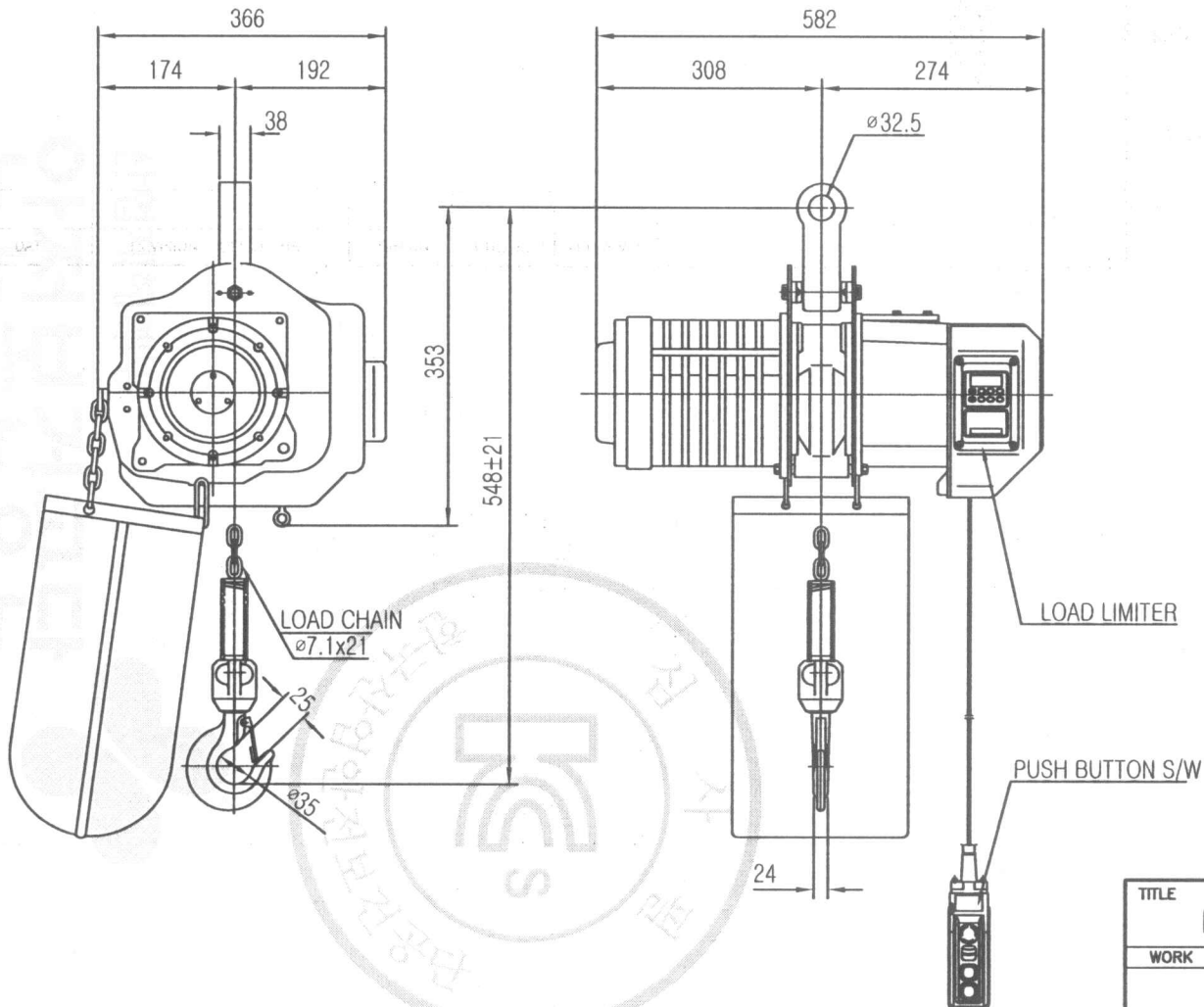
REV.NO	DATE	REVISION	DESCRIPTION	DRAWN	CHECKED	APPROVED

TITLE					PROJECTION	
DA-0.5S ELECTRIC CHAIN HOIST						
WORK NO	WORK NAME				SCALE	Q' TY
	HOOK TYPE				N S	1
DRAWN	CHECKED	REVIEWED	APPROVED	DRAWING NO		
김 창 기						
2010.08.01						

# L K HOIST

ON 5MD

NO	DESCRIPTION	SIZE	MAT'L	Q'TY	WT (kg)	REMARKS



SPECIFICATION		
HOISTING LOAD	0.5	TON
TESTING LOAD	0.625	TON
LIFTING HEIGHT	50	M
HOISTING	SPEED	8.2 M/MIN
	MOTOR	1.8 KW x 1 SET
TRAVERSING	SPEED	- M/MIN
	MOTOR	- KW x - SET
POWER SUPPLY	AC220,380,440,460,480Vx 3ø x 60 Hz	
OPERATING METHOD	P.B type ON . FL	
LOAD CHAIN	ø7.1 x 21 (1FALL)	
WIEGHT	125 KG	

**NOTE)**

- 1) 점검 설비를 갖출것.
- 2) 인허가 서류를 완성검사시 제출할것.

TITLE					PROJECTION		
<b>DA-0.5S ELECTRIC CHAIN HOIST</b>							
WORK NO	WORK NAME				SCALE	Q' TY	
	CONNECTOR TYPE				N S	1	
DRAWN	CHECKED	REVIEWED	APPROVED	DRAWING NO			
김창기							
2010.08.01							
<b>L K HOIST CO., LTD.</b>							

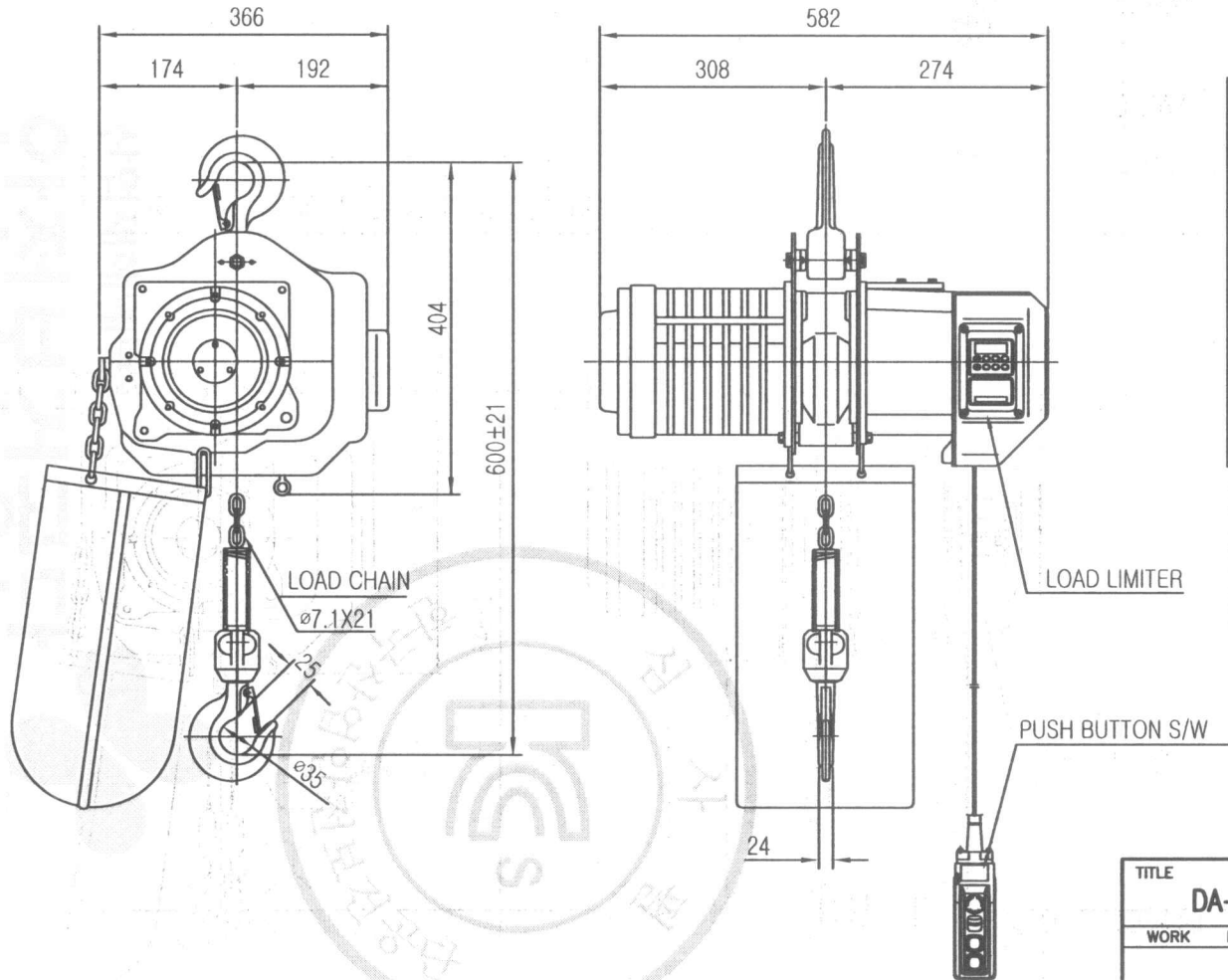
REV.NO	DATE	REVISION	DESCRIPTION	DRAWN	CHECKED	APPROVED

물범복지 및 배포금지

# L K HOIST

ON 9MD

NO	DESCRIPTION	SIZE	MAT L	Q' TY	WT (kg)	REMARKS



SPECIFICATION		
HOISTING LOAD	0.5	TON
TESTING LOAD	0.625	TON
LIFTING HEIGHT	50	M
HOISTING	SPEED	8.2 M/MIN
	MOTOR	1.8 KW x 1 SET
TRAVERSING	SPEED	- M/MIN
	MOTOR	- KW x - SET
POWER SUPPLY	AC220,380,440,460,480Vx 3ø x 60 Hz	
OPERATING METHOD	P.B type ON . FL	
LOAD CHAIN	ø7.1 x 21 (1FALL)	
WIEGHT	125 KG	

**NOTE)**

- 1) 점검 설비를 갖출것.
- 2) 인허가 서류를 완성검사시 제출할것.

물범목재 및 배포금지

REV.NO	DATE	REVISION	DESCRIPTION	DRAWN	CHECKED	APPROVED

TITLE					PROJECTION	
DA-0.5S ELECTRIC CHAIN HOIST						
WORK NO	WORK NAME				SCALE	Q' TY
	HOOK TYPE				N S	1
DRAWN	CHECKED	REVIEWED	APPROVED	DRAWING NO		
김 창 기						
2010.08.01						
L K HOIST CO., LTD.						