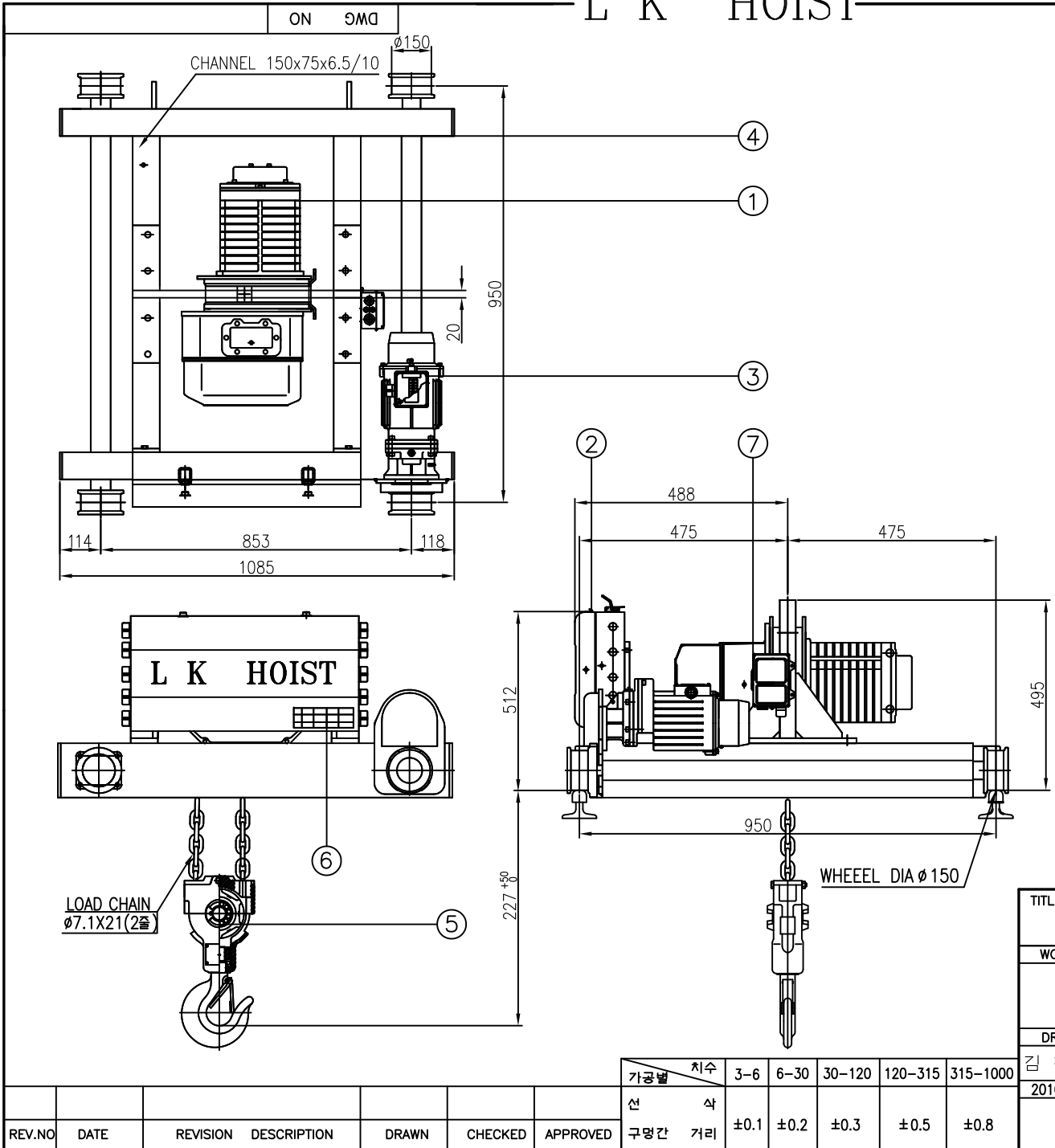


L K HOIST



	DESCRIPTION	SIZE	MAT'	REMARKS
1	HOISTING MOTOR ASS'Y		1	
2	HOISTING CONTROL ASS'Y		1	
3	GEARD MOTOR ASS'Y		1	
4	GRAB PART ASS'Y		1	
5	BOTTOM HOOK ASS'Y		1	
6	NAME PLATE		1	
7	LOAD LIMITEER		1	

SPECIFICATION			
RATED LOAD	1.9		TON
TESTING LOAD	2.375		TON
LIFTING HEIGHT	30		M
HOISTING SPEED/MOTOR	4.1/1.3 m/min	1.8/0.7KW(2/6P)	
	24m/min	0.75KW(4P)	
TRAVERSING SPEED/MOTOR	16m/min	0.5KW(6P)	
	17/5.4m/min * 0.75/0.25kw * 4/12p		
POWER SUPPLY	AC220,380,440,460V,480V x 3φ x 60 Hz		
OPERATING METHOD	P.B type ON . FL		
WIEGHT	254kg		
RAIL	15KG/M		
CHAIN 사양	φ7.1 X 21(2줄)		
RAIL GgeR	950		

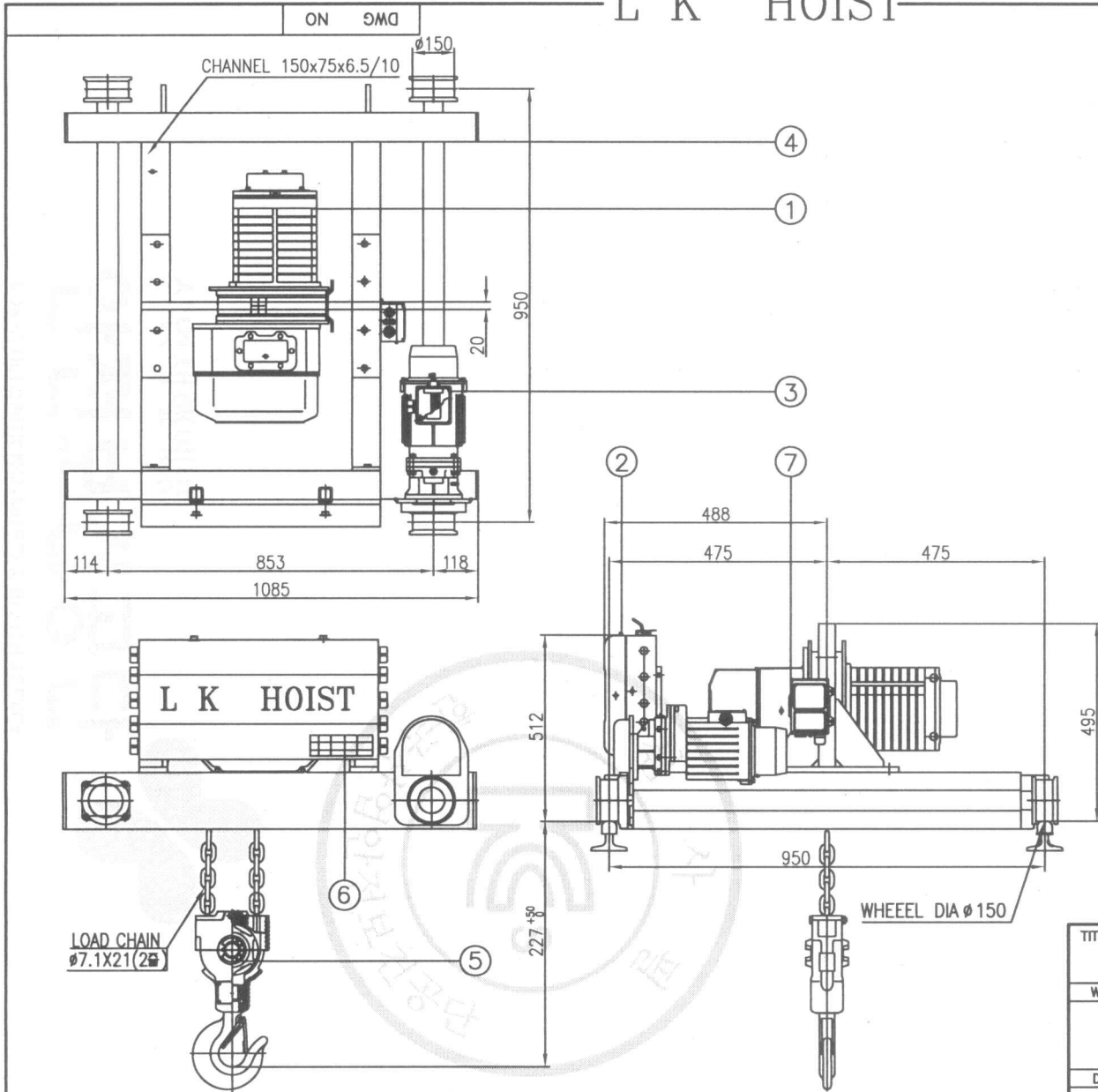
NOTE)

1. 점검 설비를 갖출 것.
2. 인허가 서류를 완성 검사시 제출 할 것.

TITLE				PROJECTION	
DBD-1.9W CHAIN HOIST					
WORK NO	WORK NAME			SCALE	Q' TY
	LK-DBD-1.9W				
DRAWN	CHECKED	REVIEWED	APPROVED	DRAWING NO	
김창기					
2010.09.16				CODE NO	
L K HOIST CO., LTD.					

REV.NO	DATE	REVISION DESCRIPTION	DRAWN	CHECKED	APPROVED	구멍별 치수	구멍간 거리
						3-6	±0.1
						6-30	±0.2
						30-120	±0.3
						120-315	±0.5
						315-1000	±0.8

L K HOIST



	DESCRIPTION	SIZE	MAT'	REMARKS
1	HOISTING MOTOR ASS'Y		1	
2	HOISTING CONTROL ASS'Y		1	
3	GEARD MOTOR ASS'Y		1	
4	GRAB PART ASS'Y		1	
5	BOTTOM HOOK ASS'Y		1	
6	NAME PLATE		1	
7	LOAD LIMITEER		1	

SPECIFICATION			
RATED LOAD	1.9 TON		
TESTING LOAD	2.375 TON		
LIFTING HEIGHT	30 M		
HOISTING SPEED/MOTOR	4.1/1.3 m/min	1.8/0.7KW(2/6P)	
	24m/min	0.75KW(4P)	
TRAVERSING SPEED/MOTOR	16m/min	0.5KW(6P)	
	17/5.4m/min * 0.75/0.25kw * 4/12p		
POWER SUPPLY	AC220,380,440,460V,480V x 3φ x 60 Hz		
OPERATING METHOD	P.B type ON . FL		
WIEGHT	254kg		
RAIL	15KG/M		
CHAIN 사양	φ7.1 X 21(2φ)		
RAIL GgeR	950		

NOTE)

1. 점검 설비를 갖출 것.
2. 인허가 서류를 완성 검사시 제출 할 것.

TITLE				PROJECTION	
DBD-1.9W CHAIN HOIST					
WORK NO	WORK NAME			SCALE	Q' TY
	LK-DBD-1.9W				
DRAWN	CHECKED	REVIEWED	APPROVED	DRAWING NO	
김창기					
2010.09.16				CODE NO	
L K HOIST CO., LTD.					

REV. NO	DATE	REVISION DESCRIPTION	DRAWN	CHECKED	APPROVED	가공별 선 구멍간 거리	치수 삭 거리	3-6	6-30	30-120	120-315	315-1000
								±0.1	±0.2	±0.3	±0.5	±0.8

열린 마음의 배움