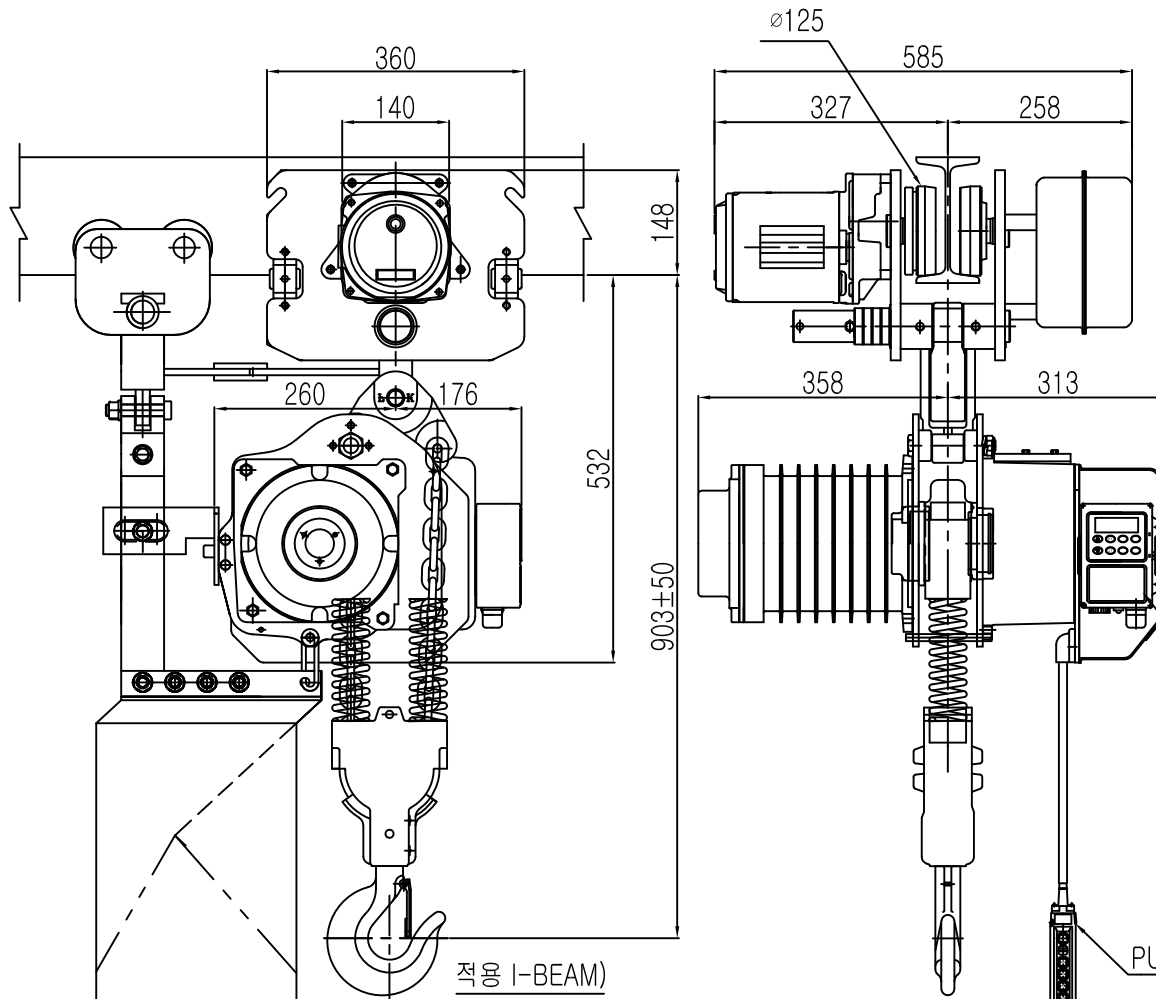


L K HOIST

NO	DESCRIPTION	SIZE	MAT L	Q' TY	WT (kg)	REMARKS



SPECIFICATION

		LK-DAM-3W		
RATED LOAD	(TON)	3.0		
TESTING LOAD	(TON)	3.75		
LIFTING HEIGHT	(M)	50		
HOISTING	SPEED (M/MIN)	5.15		
	MOTOR (KW)	3.5kw x 4p		
TRAVERSING	SPEED (M/MIN)	20	14	20/7
	MOTOR (KW)	0.75kw x 4p	0.4kw x 6p	0.75/0.25kw x 4/12p
POWER SUPPLY	AC220.380.440.460.480Vx3ø x 60 Hz			
OPERATING METHOD	P.B type ON . FL			
LOAD CHAIN	ø9.5 X 28.6(2FALL)			
WEIGHT	(KG)	405KG		
I-BEAM 적용폭	100 ~ 190MM			

LOAD LIMITER

PUSH BUTTON S/W

NOTE)

- 1) 점검 설비를 갖출 것
- 2) 인허가 서류를 완성검사시 제출 할 것

적용 I-BEAM)

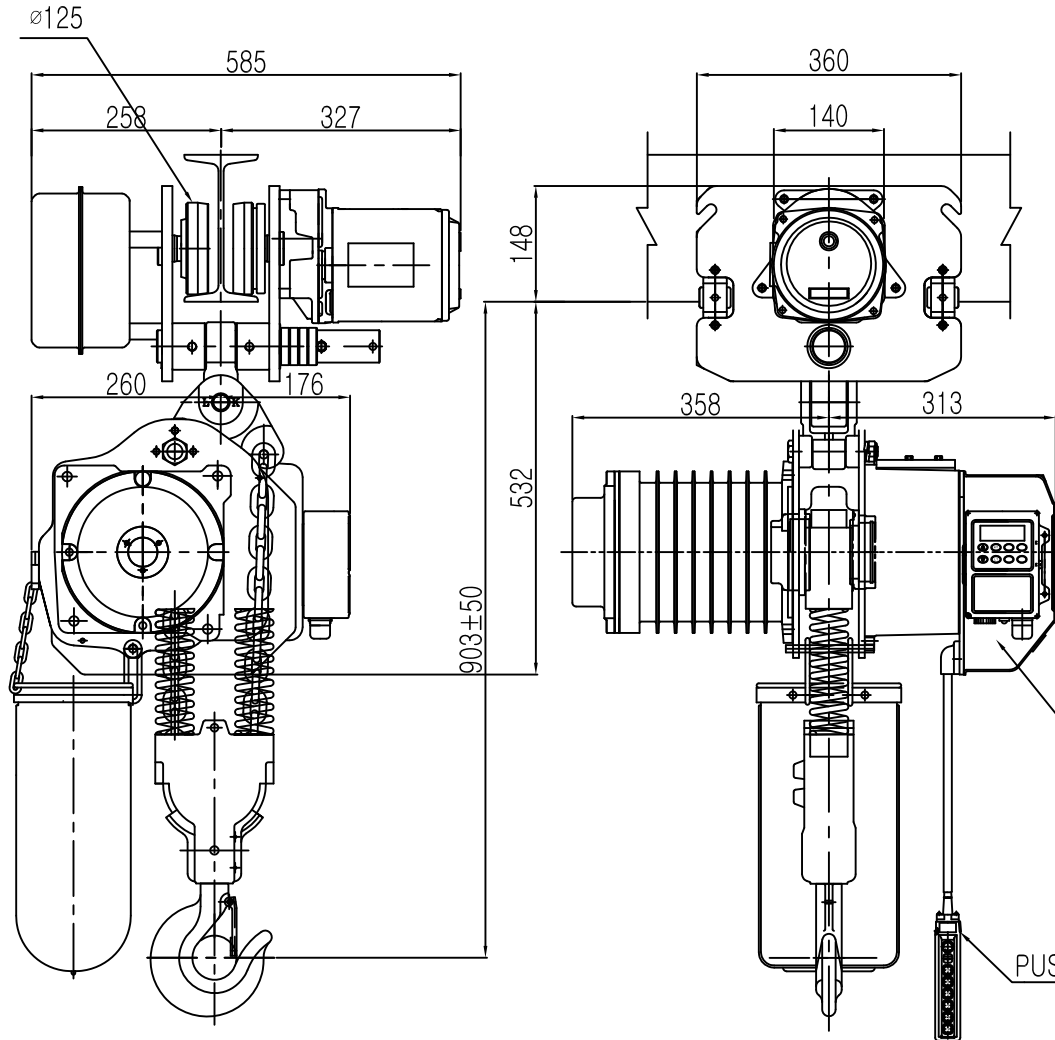
- 1) 지점간 거리: I-200X100X7/10 - 2.0M
- 2) 지점간거리 : I-250X125X7.5/12.5-4.0M
- 3) 지점간거리 : I-300X150X10/18.5-6.0M
- 4) 지점간거리 : I-450X175X13/26-11M
- 5) 지점간거리 : I-600X190X13/25-14M

TITLE					PROJECTION	
ELECTRIC CHAIN HOIST DAM-3W						
WORK NO	WORK NAME				SCALE	Q' TY
	LK-DAM-3W					1
DRAWN	CHECKED	REVIEWED	APPROVED	DRAWING NO		
김 창 기						
2010.08.01				CODE NO		

REV. NO	DATE	REVISION DESCRIPTION	DRAWN	CHECKED	APPROVED

L K HOIST

NO	DESCRIPTION	SIZE	MAT' L	Q' TY	WT (kg)	REMARKS



SPECIFICATION

		LK-DAM-3W		
RATED LOAD	(TON)	3.0		
TESTING LOAD	(TON)	3.75		
LIFTING HEIGHT	(M)	50		
HOISTING	SPEED (M/MIN)	5.15		
	MOTOR (KW)	3.5kw x 4p		
TRAVERSING	SPEED (M/MIN)	20	14	20/7
	MOTOR (KW)	0.75kw x 4p	0.4kw x 6p	0.75/0.25kw x 4/12p
POWER SUPPLY	AC220,380,440,460,480Vx3ø x 60 Hz			
OPERATING METHOD	P.B type ON . FL			
LOAD CHAIN	ø9.5 X 28.6(2FALL)			
WEIGHT	(KG)	405KG		
I-BEAM 적용폭	100 ~ 190MM			

NOTE)

- 1)점검 설비를 갖출 것
- 2)인허가 서류를 완성검사시 제출 할 것

적용 I-BEAM)

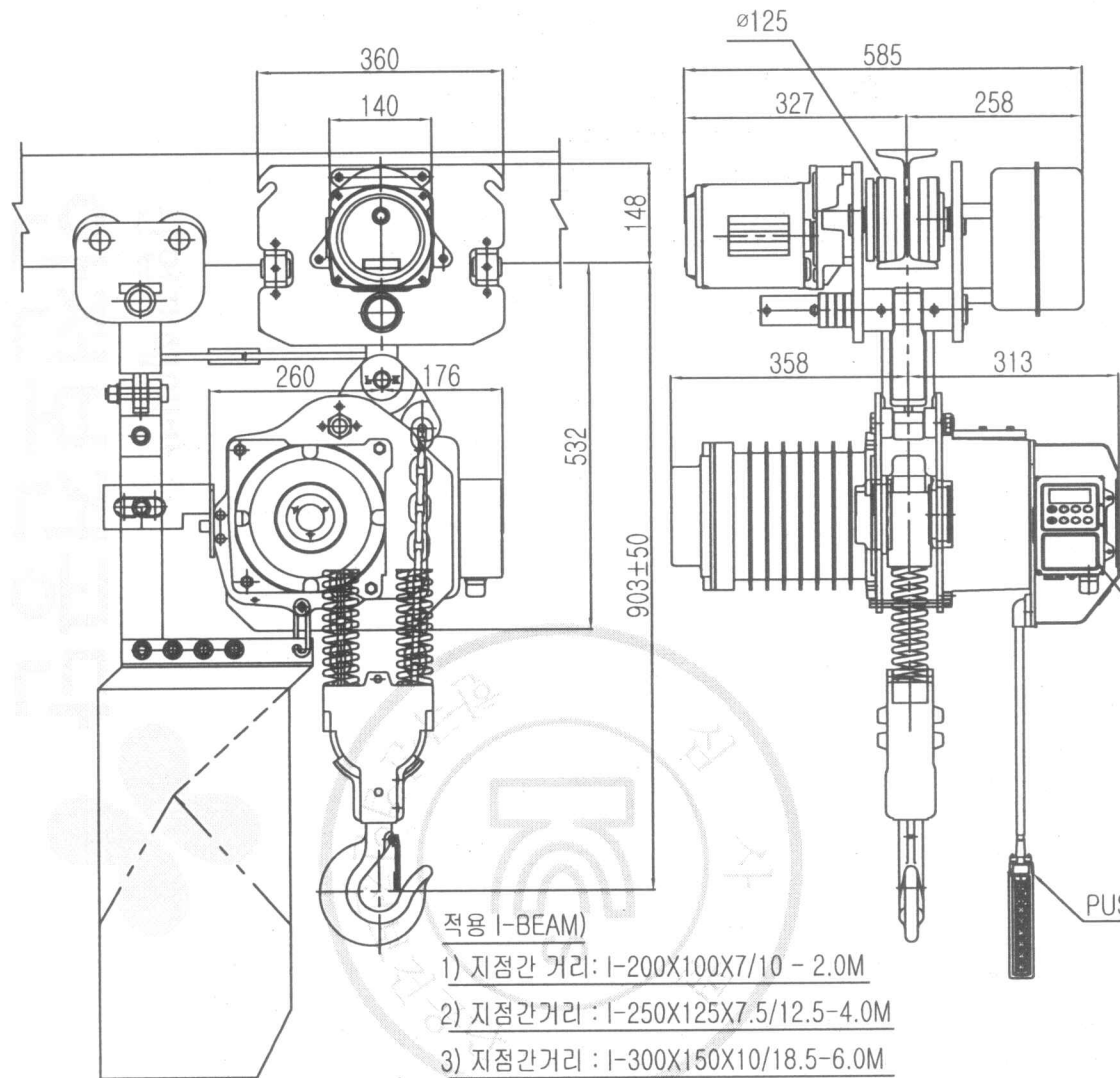
- 1) 지점간 거리: I-200X100X7/10 - 2.0M
- 2) 지점간거리 : I-250X125X7.5/12.5-4.0M
- 3) 지점간거리 : I-300X150X10/18.5-6.0M
- 4) 지점간거리 : I-450X175X13/26-11M
- 5) 지점간거리 : I-600X190X13/25-14M

REV.NO	DATE	REVISION	DESCRIPTION	DRAWN	CHECKED	APPROVED

TITLE					PROJECTION	
ELECTRIC CHAIN HOIST						
WORK NO	WORK NAME				SCALE	Q' TY
	LK-DAM-3W				N/S	1
DRAWN	CHECKED	REVIEWED	APPROVED	DRAWING NO		
김 창 기						
2010.08.01				CODE NO		

L K HOIST

NO	DESCRIPTION	SIZE	MAT L	Q' TY	WT (kg)	REMARKS



SPECIFICATION

		LK-DAM-3W		
RATED LOAD	(TON)	3.0		
TESTING LOAD	(TON)	3.75		
LIFTING HEIGHT	(M)	50		
HOISTING	SPEED (M/MIN)	5.15		
	MOTOR (KW)	3.5kw x 4p		
TRAVERSING	SPEED (M/MIN)	20	14	20/7
	MOTOR (KW)	0.75kw x 4p	0.4kw x 6p	0.75/0.25kw x 4/12p
POWER SUPPLY	AC220.380.440.460.480V x 3φ x 60 Hz			
OPERATING METHOD	P.B type ON . FL			
LOAD CHAIN	φ9.5 X 28.6(2FALL)			
WEIGHT	(KG)	405KG		
I-BEAM 적용폭		100 ~ 190MM		

LOAD LIMITER

PUSH BUTTON S/W

NOTE)

- 1) 점검 설비를 갖출 것
- 2) 인허가 서류를 완성검사시 제출 할 것

적용 I-BEAM)

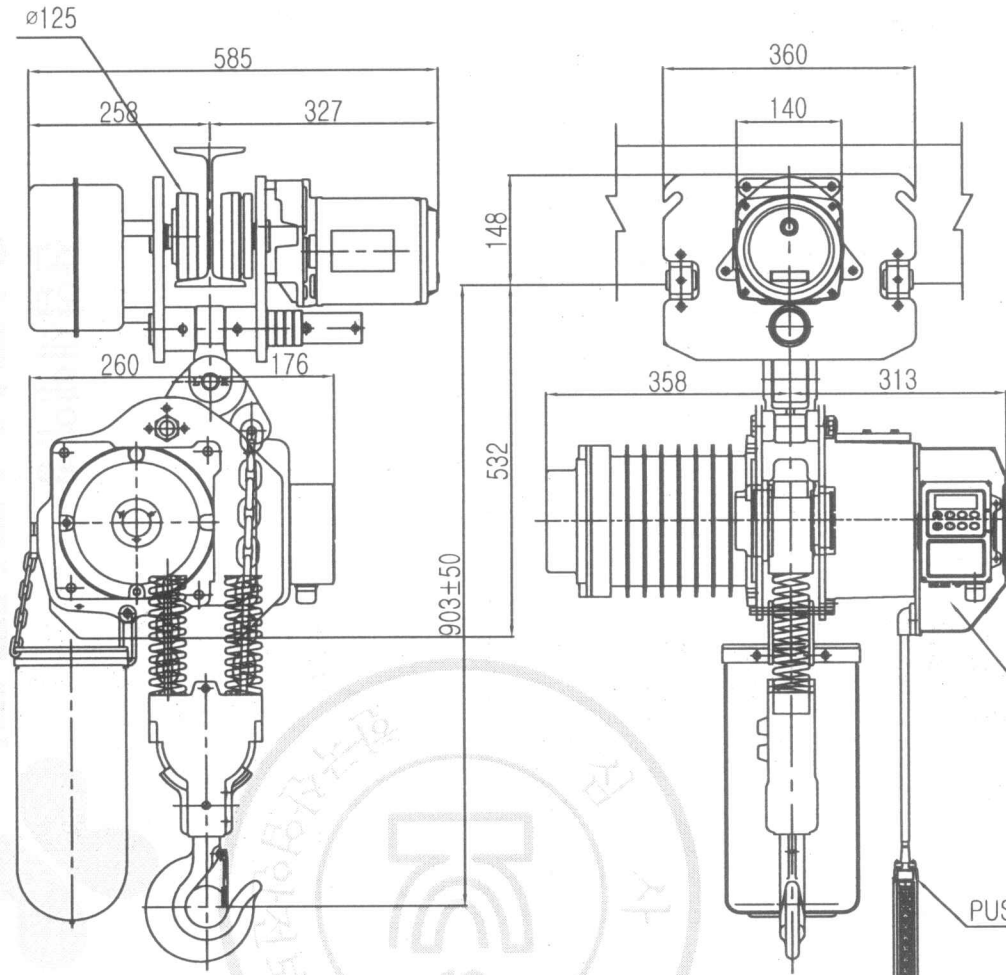
- 1) 지점간 거리 : I-200X100X7/10 - 2.0M
- 2) 지점간거리 : I-250X125X7.5/12.5-4.0M
- 3) 지점간거리 : I-300X150X10/18.5-6.0M
- 4) 지점간거리 : I-450X175X13/26-11M
- 5) 지점간거리 : I-600X190X13/25-14M

REV.NO	DATE	REVISION	DESCRIPTION	DRAWN	CHECKED	APPROVED

TITLE		ELECTRIC CHAIN HOIST DAM-3W		PROJECTION	
WORK NO		WORK NAME	LK-DAM-3W	SCALE	Q' TY
					1
DRAWN	CHECKED	REVIEWED	APPROVED	DRAWING NO	
김창기				CODE NO	
2010.08.01					

LK L K HOIST CO., LTD.

L K HOIST



SPECIFICATION

		LK-DAM-3W		
RATED LOAD (TON)		3.0		
TESTING LOAD (TON)		3.75		
LIFTING HEIGHT (M)		50		
HOISTING	SPEED (M/MIN)	5.15		
	MOTOR (KW)	3.5kw x 4p		
TRAVERSING	SPEED (M/MIN)	20	14	20/7
	MOTOR (KW)	0.75kw x 4p	0.4kw x 6p	0.75/0.25kw x 4/12p
POWER SUPPLY		AC220.380.440.460.480Vx3φ x 60 Hz		
OPERATING METHOD		P.B type ON . FL		
LOAD CHAIN		φ9.5 X 28.6(2FALL)		
WEIGHT (KG)		405KG		
I-BEAM 적용폭		100 ~ 190MM		

LOAD LIMITER

PUSH BUTTON S/W

NOTE

- 1) 점검 설비를 갖출 것
- 2) 인허가 서류를 완성검사시 제출 할 것

적용 I-BEAM)

- 1) 지점간 거리: I-200X100X7/10 - 2.0M
- 2) 지점간거리 : I-250X125X7.5/12.5-4.0M
- 3) 지점간거리 : I-300X150X10/18.5-6.0M
- 4) 지점간거리 : I-450X175X13/26-11M
- 5) 지점간거리 : I-600X190X13/25-14M

TITLE					PROJECTION	
ELECTRIC CHAIN HOIST						
WORK NO	WORK NAME				SCALE	Q' TY
	LK-DAM-3W				N/S	1
DRAWN	CHECKED	REVIEWED	APPROVED	DRAWING NO		
김창기						
2010.08.01				CODE NO		
L K HOIST CO., LTD.						

REV. NO	DATE	REVISION	DESCRIPTION	DRAWN	CHECKED	APPROVED

물범복제 및 배포금지