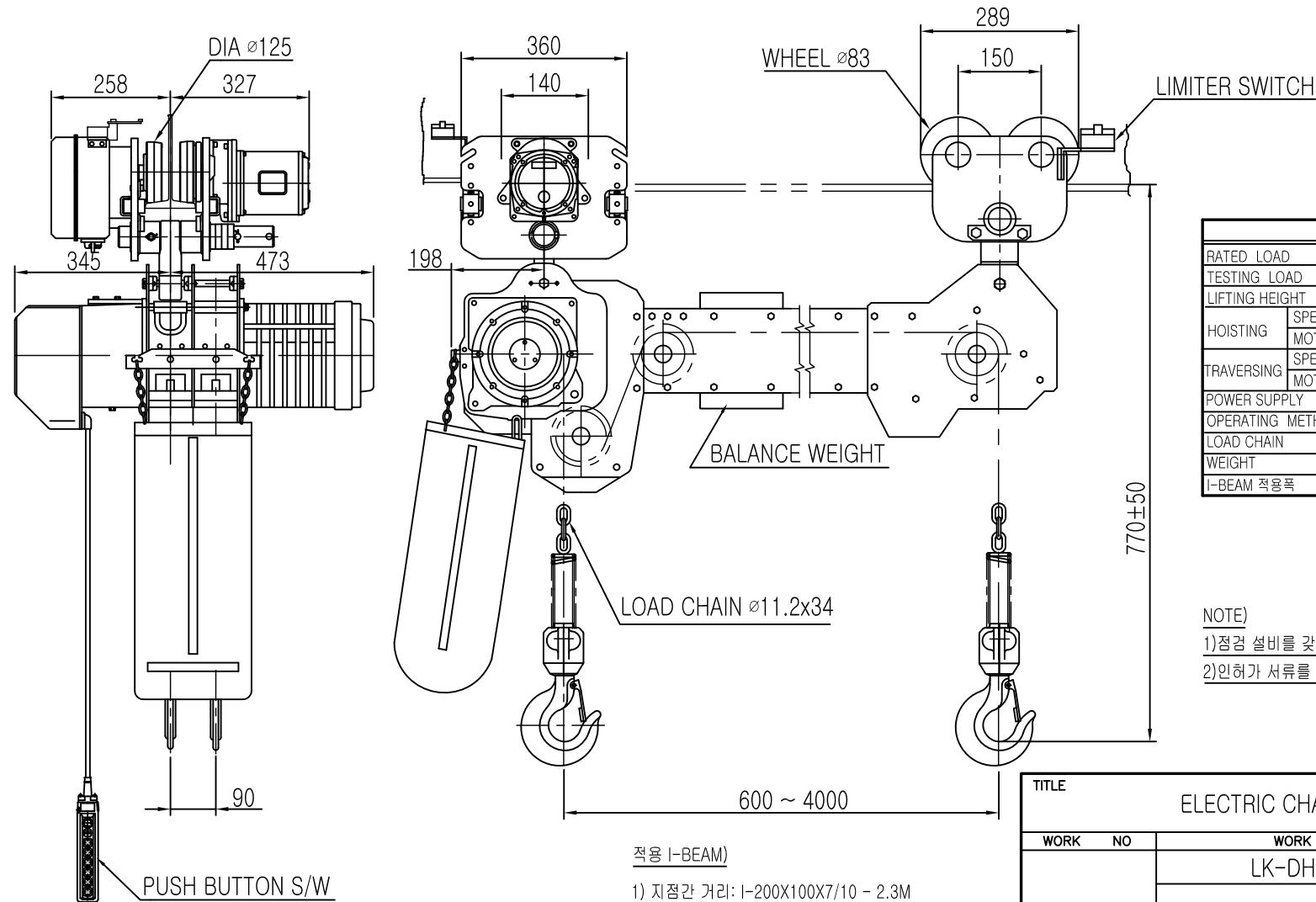


ON GMD

# L K HOIST

| NO | DESCRIPTION | SIZE | MAT' L | Q' TY | WT (kg) | REMARKS |
|----|-------------|------|--------|-------|---------|---------|
|    |             |      |        |       |         |         |



## SPECIFICATION

|                          |  | LK-DHDBM-2.5S                     |                                |
|--------------------------|--|-----------------------------------|--------------------------------|
| RATED LOAD (TON)         |  | 2.5                               |                                |
| TESTING LOAD (TON)       |  | 3.125                             |                                |
| LIFTING HEIGHT (M)       |  | 50                                |                                |
| HOISTING SPEED (M/MIN)   |  | 6.5/2.1                           |                                |
| MOTOR (KW)               |  | 4.4/2.2kw x 2/6p                  |                                |
| TRAVERSING SPEED (M/MIN) |  | 20                                | 14 20/7                        |
| MOTOR (KW)               |  | 0.75kw x 4p                       | 0.4kw x 6p 0.75/0.25kw x 4/12p |
| POWER SUPPLY             |  | AC220.380.440.460.480Vx3ø x 60 Hz |                                |
| OPERATING METHOD         |  | P.B type ON . FL                  |                                |
| LOAD CHAIN               |  | ø11.2 X 34 (1FALL)                |                                |
| WEIGHT (KG)              |  | 675                               |                                |
| I-BEAM 적용폭               |  | 100 ~ 190MM                       |                                |

NOTE)

- 1)점검 설비를 갖추실 것
- 2)인허가 서류를 완성검사시 제출 할 것

적용 I-BEAM)

- 1) 지점간 거리 : I-200X100X7/10 - 2.3M
- 2) 지점간거리 : I-250X125X7.5/12.5-4.0M
- 3) 지점간거리 : I-300X150X10/18.5-6.0M
- 4) 지점간거리 : I-450X175X13/26-10M
- 5) 지점간거리 : I-600X190X13/25-14M

| REV.NO | DATE | REVISION | DESCRIPTION | DRAWN | CHECKED | APPROVED |
|--------|------|----------|-------------|-------|---------|----------|
|        |      |          |             |       |         |          |

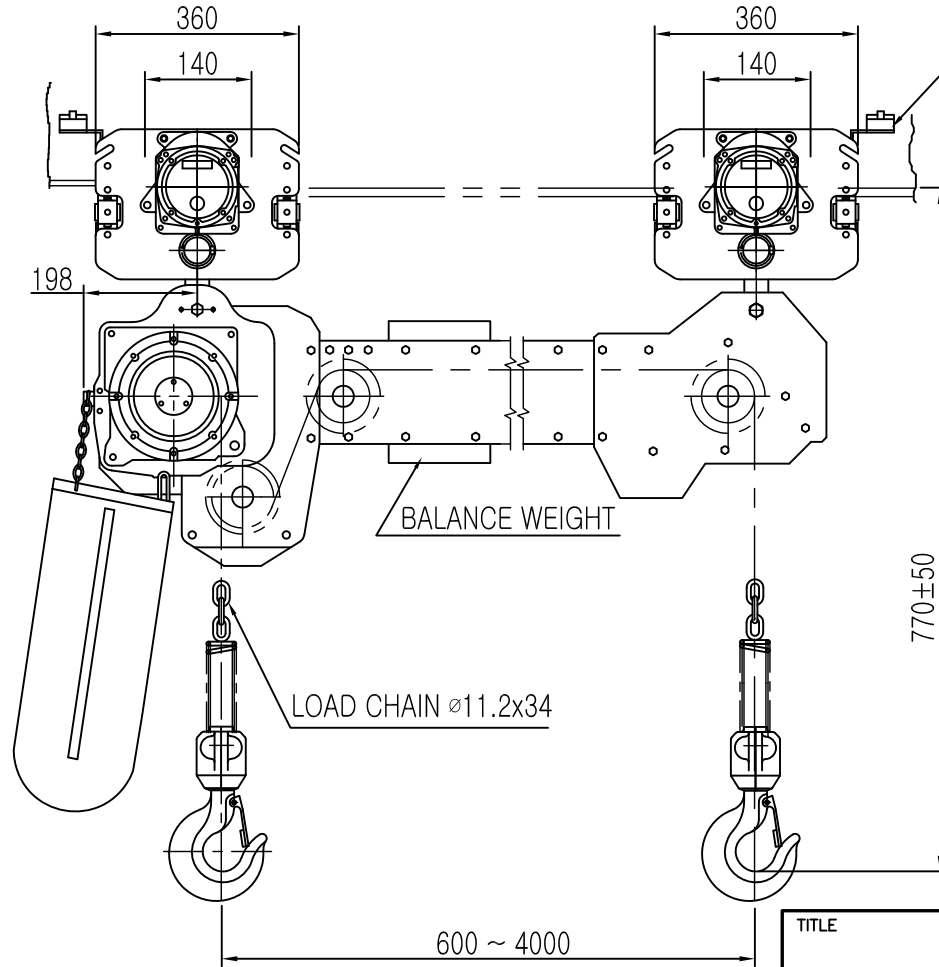
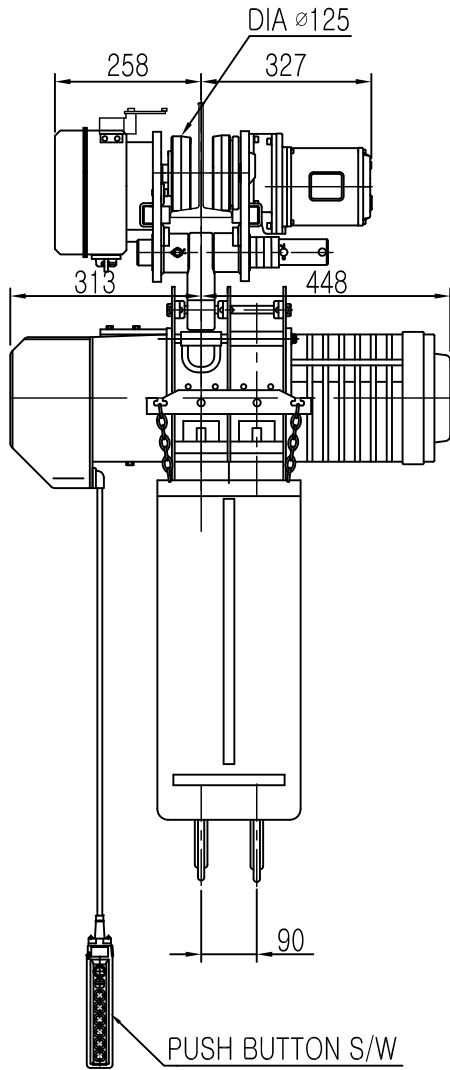
| TITLE                |               |          |          |            | PROJECTION |       |
|----------------------|---------------|----------|----------|------------|------------|-------|
| ELECTRIC CHAIN HOIST |               |          |          |            |            |       |
| WORK NO              | WORK NAME     |          |          |            | SCALE      | Q' TY |
|                      | LK-DHDBM-2.5S |          |          |            | N S        | 1     |
| DRAWN                | CHECKED       | REVIEWED | APPROVED | DRAWING NO |            |       |
| 김 창 기                |               |          |          | CORD NO    |            |       |
| 2010.08.01           |               |          |          |            |            |       |

**LK** L K HOIST CO., LTD.

ON ㉔MD

# L K HOIST

| NO | DESCRIPTION | SIZE | MAT'L | Q'TY | WT (kg) | REMARKS |
|----|-------------|------|-------|------|---------|---------|
|    |             |      |       |      |         |         |



LIMITER SWITCH

## SPECIFICATION

|                    |               | LK-DHDBM-2.5S                     |               |                        |
|--------------------|---------------|-----------------------------------|---------------|------------------------|
| RATED LOAD (TON)   |               | 2.5                               |               |                        |
| TESTING LOAD (TON) |               | 3.125                             |               |                        |
| LIFTING HEIGHT (M) |               | 50                                |               |                        |
| HOISTING           | SPEED (M/MIN) | 6.5/2.1                           |               |                        |
|                    | MOTOR (KW)    | 4.4/2.2kw x 2/6p                  |               |                        |
| TRAVERSING         | SPEED (M/MIN) | 20                                | 14            | 20/7                   |
|                    | MOTOR (KW)    | 0.75kwx4p-2set                    | 0.4kwx6p-2set | 0.75/0.25kwx4/12p-2set |
| POWER SUPPLY       |               | AC220.380.440.460.480Vx3ø x 60 Hz |               |                        |
| OPERATING METHOD   |               | P.B type ON . FL                  |               |                        |
| LOAD CHAIN         |               | ø11.2 X 34 (1FALL)                |               |                        |
| WEIGHT (KG)        |               | 675                               |               |                        |
| I-BEAM 적용폭         |               | 100 ~ 190MM                       |               |                        |

NOTE)

- 1) 점검 설비를 갖출 것
- 2) 인허가 서류를 완성검사시 제출 할 것

적용 I-BEAM)

- 1) 지점간 거리 : I-200X100X7/10 - 2.3M
- 2) 지점간 거리 : I-250X125X7.5/12.5-4.0M
- 3) 지점간 거리 : I-300X150X10/18.5-6.0M
- 4) 지점간 거리 : I-450X175X13/26-10M
- 5) 지점간 거리 : I-600X190X13/25-14M

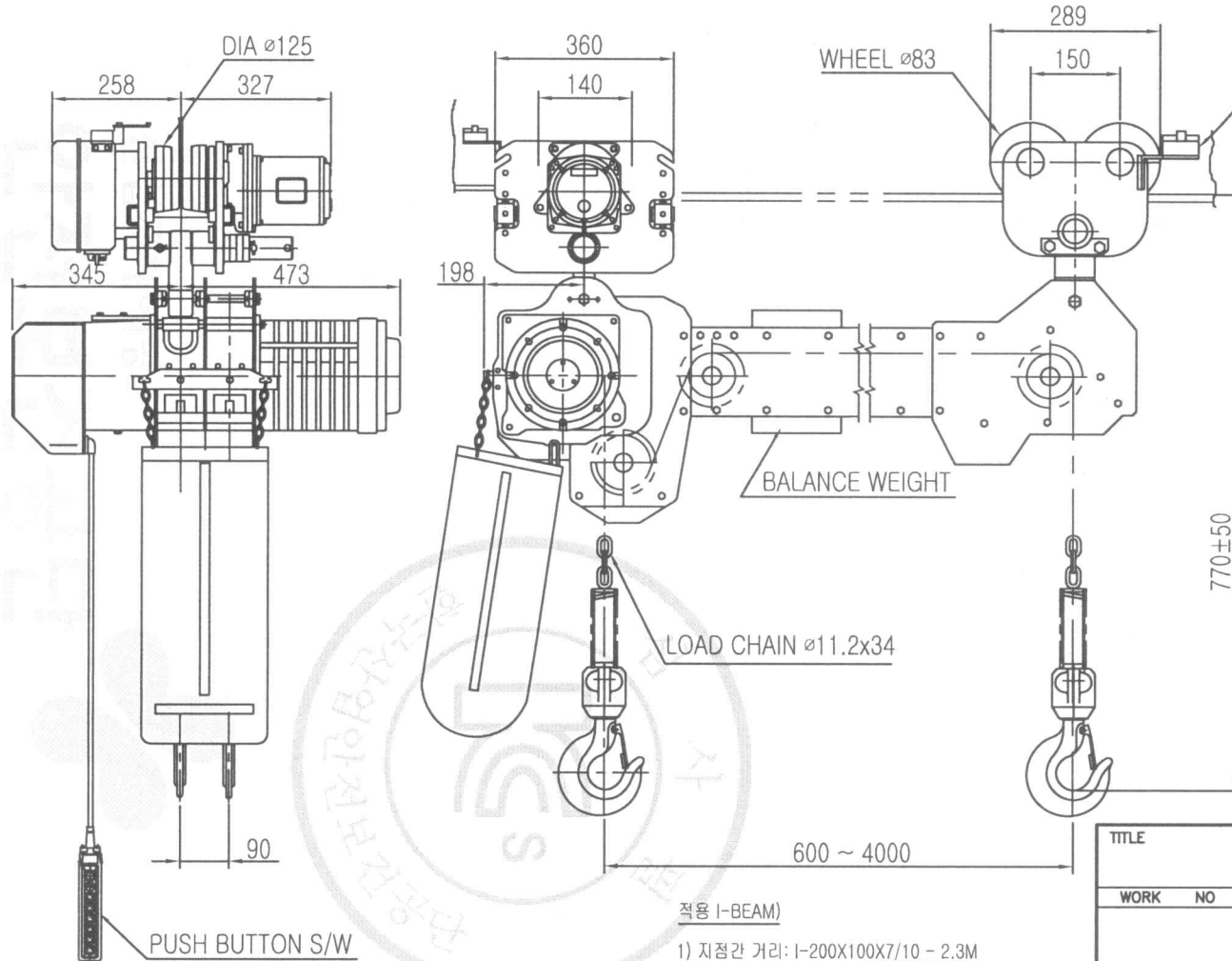
| TITLE      |         | ELECTRIC CHAIN HOIST |               |            | PROJECTION |      |
|------------|---------|----------------------|---------------|------------|------------|------|
| WORK NO    |         | WORK NAME            | LK-DHDBM-2.5S |            | SCALE      | Q'TY |
|            |         |                      |               |            | N S        | 1    |
| DRAWN      | CHECKED | REVIEWED             | APPROVED      | DRAWING NO |            |      |
| 김 창 기      |         |                      |               | CORD NO    |            |      |
| 2010.08.01 |         |                      |               |            |            |      |
|            |         |                      |               |            |            |      |

| REV.NO | DATE | REVISION | DESCRIPTION | DRAWN | CHECKED | APPROVED |
|--------|------|----------|-------------|-------|---------|----------|
|        |      |          |             |       |         |          |

ON 5MC

# L K HOIST

| NO | DESCRIPTION | SIZE | MAT'L | Q'TY | WT (kg) | REMARKS |
|----|-------------|------|-------|------|---------|---------|
|    |             |      |       |      |         |         |



## SPECIFICATION

|                    |               | LK-DHDBM-2.5S                     |                                |
|--------------------|---------------|-----------------------------------|--------------------------------|
| RATED LOAD (TON)   |               | 2.5                               |                                |
| TESTING LOAD (TON) |               | 3.125                             |                                |
| LIFTING HEIGHT (M) |               | 50                                |                                |
| HOISTING           | SPEED (M/MIN) | 6.5/2.1                           |                                |
|                    | MOTOR (KW)    | 4.4/2.2kw x 2/6p                  |                                |
| TRAVERSING         | SPEED (M/MIN) | 20                                | 14 20/7                        |
|                    | MOTOR (KW)    | 0.75kw x 4p                       | 0.4kw x 6p 0.75/0.25kw x 4/12p |
| POWER SUPPLY       |               | AC220.380.440.460.480Vx3ø x 60 Hz |                                |
| OPERATING METHOD   |               | P.B type ON . FL                  |                                |
| LOAD CHAIN         |               | ø11.2 X 34 (1FALL)                |                                |
| WEIGHT (KG)        |               | 675                               |                                |
| I-BEAM 적용폭         |               | 100 ~ 190MM                       |                                |

NOTE)

- 1) 점검 설비를 갖출 것
- 2) 인허가 서류를 완성검사시 제출 할 것

적용 I-BEAM)

- 1) 지점간 거리 : I-200X100X7/10 - 2.3M
- 2) 지점간 거리 : I-250X125X7.5/12.5-4.0M
- 3) 지점간 거리 : I-300X150X10/18.5-6.0M
- 4) 지점간 거리 : I-450X175X13/26-10M
- 5) 지점간 거리 : I-600X190X13/25-14M

| TITLE      |         | ELECTRIC CHAIN HOIST |               | PROJECTION |       |
|------------|---------|----------------------|---------------|------------|-------|
| WORK NO    |         | WORK NAME            | LK-DHDBM-2.5S | SCALE      | Q' TY |
|            |         |                      |               | N S        | 1     |
| DRAWN      | CHECKED | REVIEWED             | APPROVED      | DRAWING NO |       |
| 김 창 기      |         |                      |               | CORD NO    |       |
| 2010.08.01 |         |                      |               |            |       |

| REV.NO | DATE | REVISION | DESCRIPTION | DRAWN | CHECKED | APPROVED |
|--------|------|----------|-------------|-------|---------|----------|
|        |      |          |             |       |         |          |

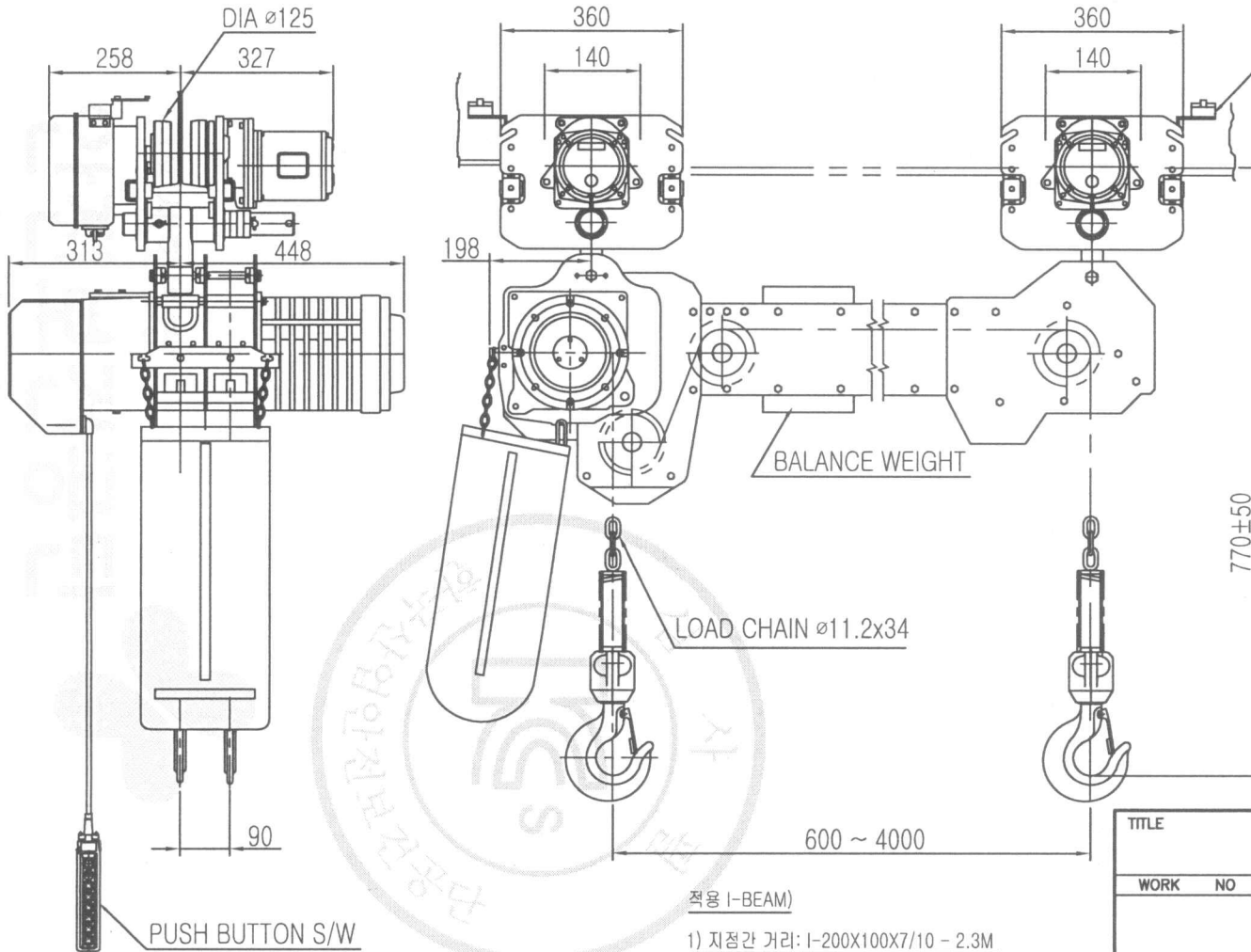
**LK** L K HOIST CO., LTD.

물범북제 및 배포금지

ON 9MD

# L K HOIST

| NO | DESCRIPTION | SIZE | MAT'L | Q'TY | WT (kg) | REMARKS |
|----|-------------|------|-------|------|---------|---------|
|    |             |      |       |      |         |         |



## SPECIFICATION

|                          |                                   | LK-DHDBM-2.5S |                        |
|--------------------------|-----------------------------------|---------------|------------------------|
| RATED LOAD (TON)         | 2.5                               |               |                        |
| TESTING LOAD (TON)       | 3.125                             |               |                        |
| LIFTING HEIGHT (M)       | 50                                |               |                        |
| HOISTING SPEED (M/MIN)   | 6.5/2.1                           |               |                        |
| MOTOR (KW)               | 4.4/2.2kw x 2/6p                  |               |                        |
| TRAVERSING SPEED (M/MIN) | 20                                | 14            | 20/7                   |
| MOTOR (KW)               | 0.75kwx4p-2set                    | 0.4kwx6p-2set | 0.75/0.25kwx4/12p-2set |
| POWER SUPPLY             | AC220.380.440.460.480Vx3ø x 60 Hz |               |                        |
| OPERATING METHOD         | P.B type ON . FL                  |               |                        |
| LOAD CHAIN               | ø11.2 X 34 (1FALL)                |               |                        |
| WEIGHT (KG)              | 675                               |               |                        |
| I-BEAM 적용폭               | 100 ~ 190MM                       |               |                        |

NOTE)

- 1)점검 설비를 갖출 것
- 2)인허가 서류를 완성감사시 제출 할 것

적용 I-BEAM)

- 1) 지점간 거리 : I-200X100X7/10 - 2.3M
- 2) 지점간거리 : I-250X125X7.5/12.5-4.0M
- 3) 지점간거리 : I-300X150X10/18.5-6.0M
- 4) 지점간거리 : I-450X175X13/26-10M
- 5) 지점간거리 : I-600X190X13/25-14M

| REV.NO | DATE | REVISION | DESCRIPTION | DRAWN | CHECKED | APPROVED |
|--------|------|----------|-------------|-------|---------|----------|
|        |      |          |             |       |         |          |

| TITLE                      |               |          |          |            | PROJECTION |       |
|----------------------------|---------------|----------|----------|------------|------------|-------|
| ELECTRIC CHAIN HOIST       |               |          |          |            |            |       |
| WORK NO                    | WORK NAME     |          |          |            | SCALE      | Q' TY |
|                            | LK-DHDBM-2.5S |          |          |            | N S        | 1     |
| DRAWN                      | CHECKED       | REVIEWED | APPROVED | DRAWING NO |            |       |
| 김 창 기                      |               |          |          |            |            |       |
| 2010.08.01                 |               |          |          | CORD NO    |            |       |
| <b>L K HOIST CO., LTD.</b> |               |          |          |            |            |       |

일반목적 및 배포금지