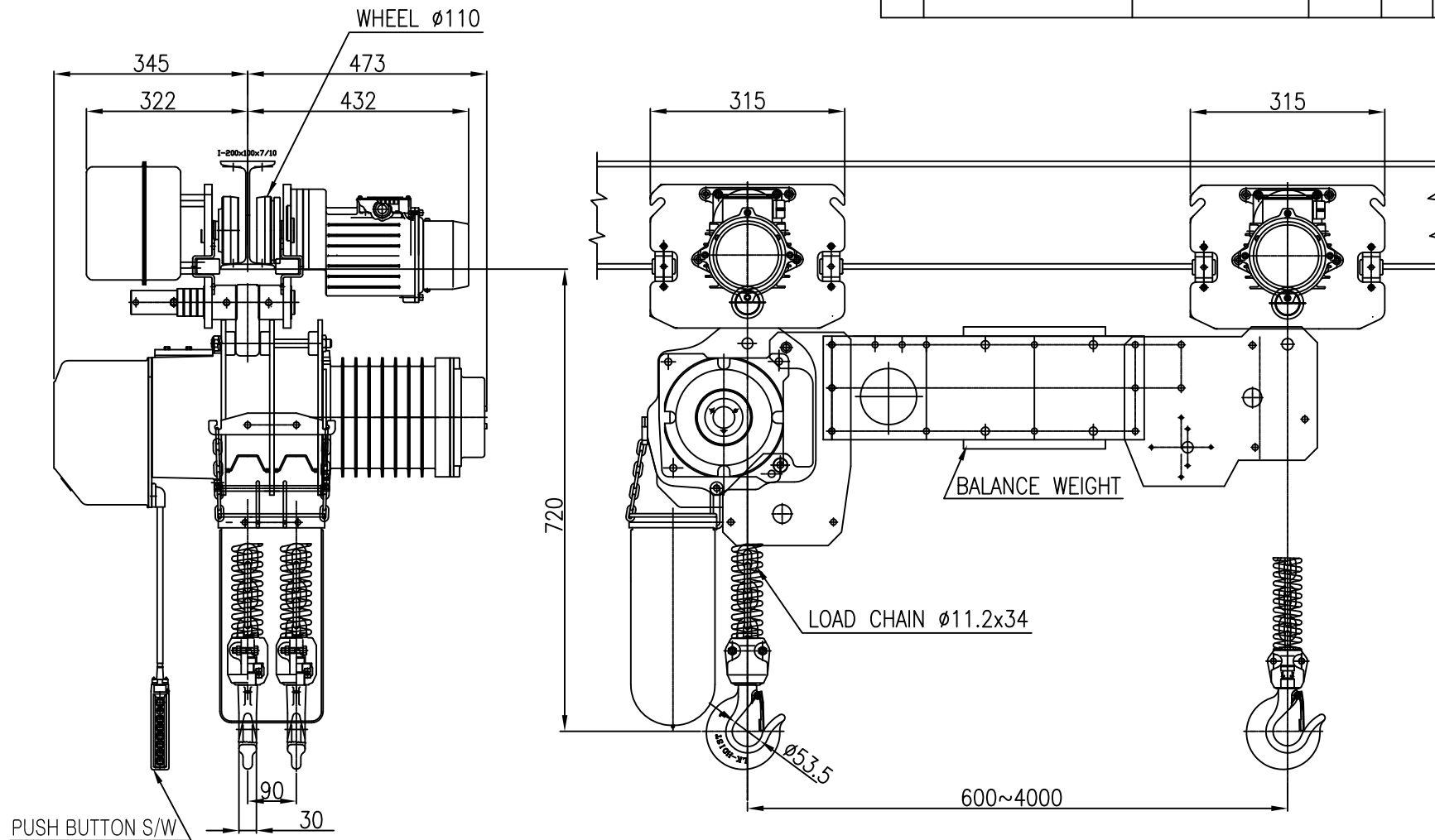


L K HOIST

NO	DESCRIPTION	SIZE	MAT' L	Q' TY	WT (kg)	REMARKS



NOTE)

- 1) 점검 설비를 갖출 것
- 2) 인허가 서류를 제품검사시 제출 할 것

적용 I-BEAM)

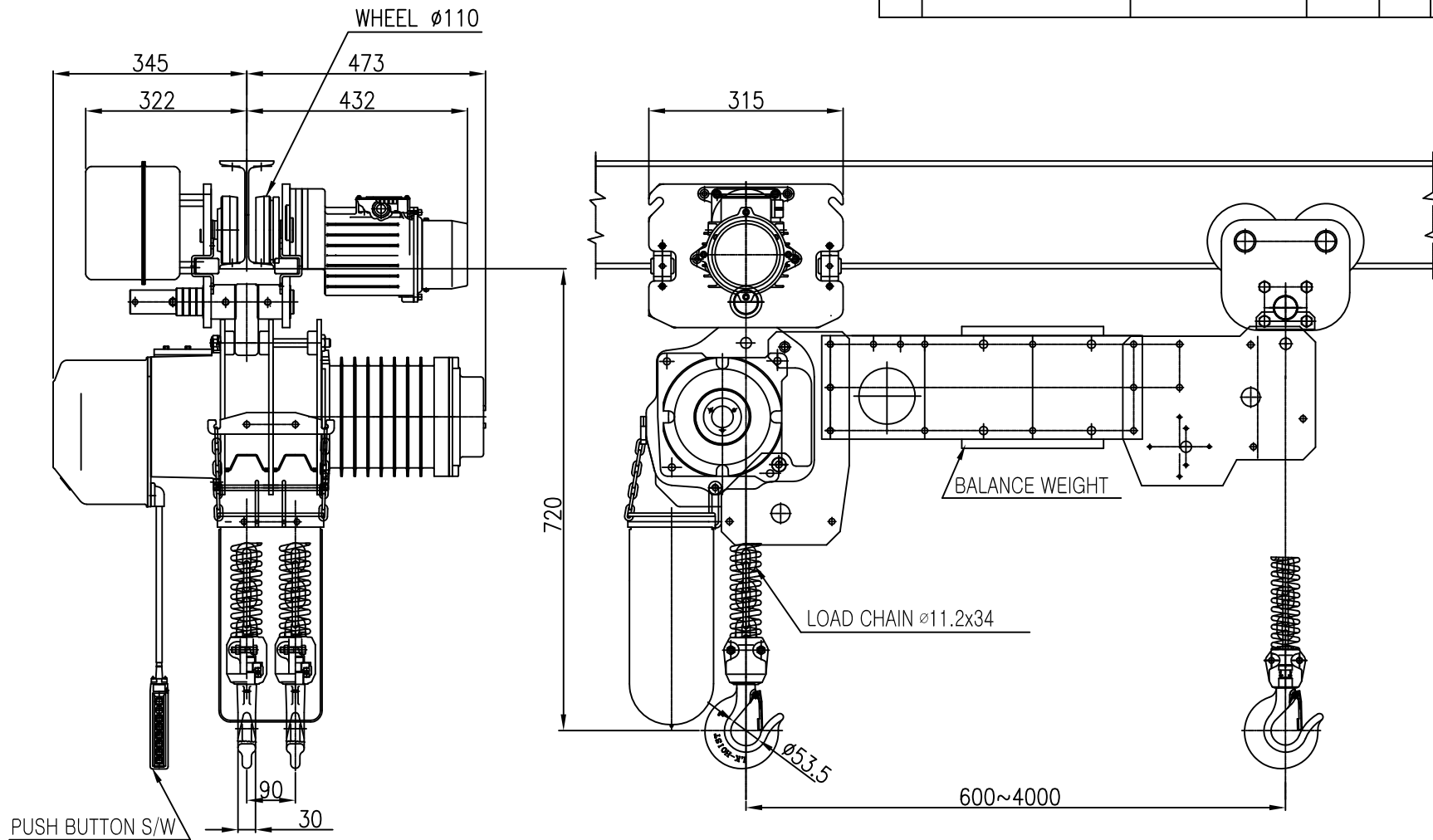
- 1) 지점간 거리: I-200X100X7/10 - 2.7M
- 2) 지점간거리 : I-250X125X7.5/12.5-4.0M
- 3) 지점간거리 : I-300X150X10/18.5-6.5M
- 4) 지점간거리 : I-450X175X13/26-11.0M
- 5) 지점간거리 : I-600X190X13/25-15.0M

SPECIFICATION	
HOISTING LOAD	2.0 TON
TESTING LOAD	2.5 TON
LIFTING HEIGHT	50 M
HOISTING	SPEED 8.1/2.7 M/MIN
	MOTOR 4.4/2.2 x 1 SET
TRAVERSING	SPEED 2.1~21(인버터)M/MIN 1.4~14(인버터)M/MIN
	MOTOR 0.75 KW x 4PX2SET 0.4KW x 6PX2SET
POWER SUPPLY	AC 220V,380V,440V,460V,480V x 3ø x 60HZ
OPERATING METHOD	P.B type on FL
WEIGHT	438 ~ 670
I-BEAM 적용폭	100 ~ 190

TITLE				PROJECTION	
ELECTRIC CHAIN HOIST LK-DHEDBM-2S					
WORK NO	WORK NAME			SCALE	Q' TY
				N/S	1
DRAWN	CHECKED	REVIEWED	APPROVED	MODEL	
김 창 기					
2017.02.28				CODE NO	

L K HOIST

NO	DESCRIPTION	SIZE	MAT' L	Q' TY	WT (kg)	REMARKS



적용 I-BEAM)

- 1) 지점간 거리: I-200X100X7/10 - 2.7M
- 2) 지점간거리 : I-250X125X7.5/12.5-4.0M
- 3) 지점간거리 : I-300X150X10/18.5-6.5M
- 4) 지점간거리 : I-450X175X13/26-11.0M
- 5) 지점간거리 : I-600X190X13/25-15.0M

SPECIFICATION		
HOISTING LOAD	2.0 TON	
TESTING LOAD	2.5 TON	
LIFTING HEIGHT	50 M	
HOISTING	SPEED	8.1/2.7 M/MIN
	MOTOR	4.4/2.2 x 1 SET
TRAVERSING	SPEED	2.1~21(인버터)M/MIN 1.4~14(인버터)M/MIN
	MOTOR	0.75 KW x 4PX1SET 0.4KW x 6PX1SET
POWER SUPPLY	AC 220V,380V,440V,460V,480V x 3 ϕ x 60HZ	
OPERATING METHOD	P.B type on FL	
WEIGHT	438 ~ 670	
I-BEAM 적용폭	100 ~ 190	

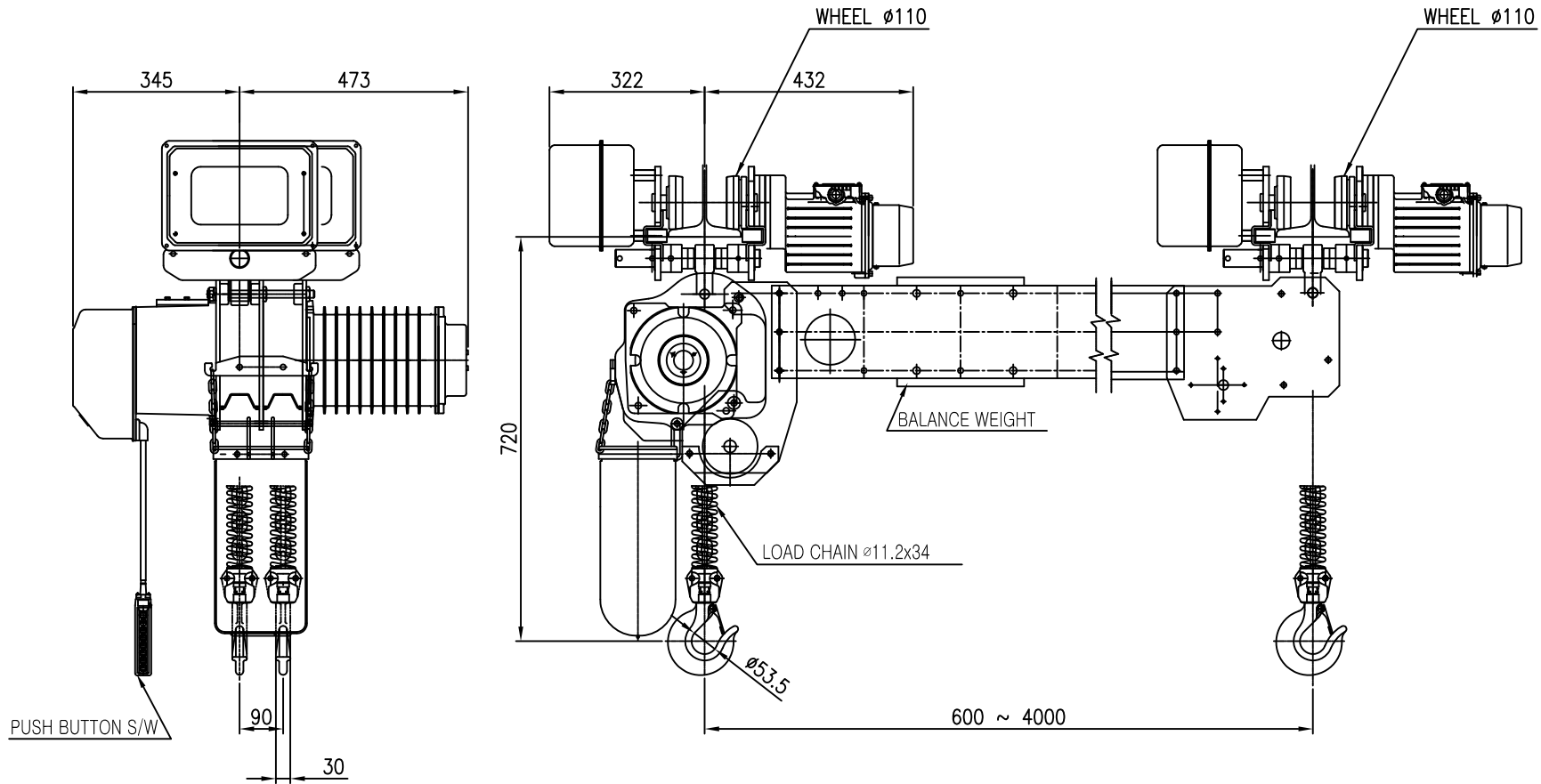
NOTE)

- 1)점검 설비를 갖출 것
- 2)인허가 서류를 제품검사시 제출 할 것

TITLE					PROJECTION	
ELECTRIC CHAIN HOIST LK-DHEDBM-2S						
WORK NO	WORK NAME				SCALE	Q' TY
					N/S	1
DRAWN	CHECKED	REVIEWED	APPROVED	MODEL		
김창기						
2017.02.28				CODE NO		

L K HOIST

NO	DESCRIPTION	SIZE	MAT' L	Q' TY	WT (kg)	REMARKS



NOTE)

- 1) 점검 설비를 갖출 것
- 2) 인허가 서류를 제품검사시 제출 할 것

적용 I-BEAM)

- 1) 지점간 거리 : I-200X100X7/10 - 2.7M
- 2) 지점간거리 : I-250X125X7.5/12.5-4.0M
- 3) 지점간거리 : I-300X150X10/18.5-6.5M
- 4) 지점간거리 : I-450X175X13/26-11.0M
- 5) 지점간거리 : I-600X190X13/25-15.0M

SPECIFICATION		
HOISTING LOAD	2.0 TON	
TESTING LOAD	2.5 TON	
LIFTING HEIGHT	50 M	
HOISTING	SPEED	8.1/2.7 M/MIN
	MOTOR	4.4/2.2KW x 1 SET
TRAVERSING	SPEED	2.1~21(인버터) M/MIN 1.4~14(인버터) M/MIN
	MOTOR	0.75 KW x 4PX2SET 0.4KW x 6PX2SET
POWER SUPPLY	AC 220V,380V,440V,460V,480V x 3 ϕ x 60HZ	
OPERATING METHOD	P.B type on FL	
WEIGHT	438 ~ 670	
I-BEAM 적용폭	100 ~ 190	

TITLE					PROJECTION	
ELECTRIC CHAIN HOIST LK-DHEDBM-2S						
WORK NO	WORK NAME				SCALE	Q' TY
					1/1	1
DRAWN	CHECKED	REVIEWED	APPROVED	MODEL		
				CODE NO		