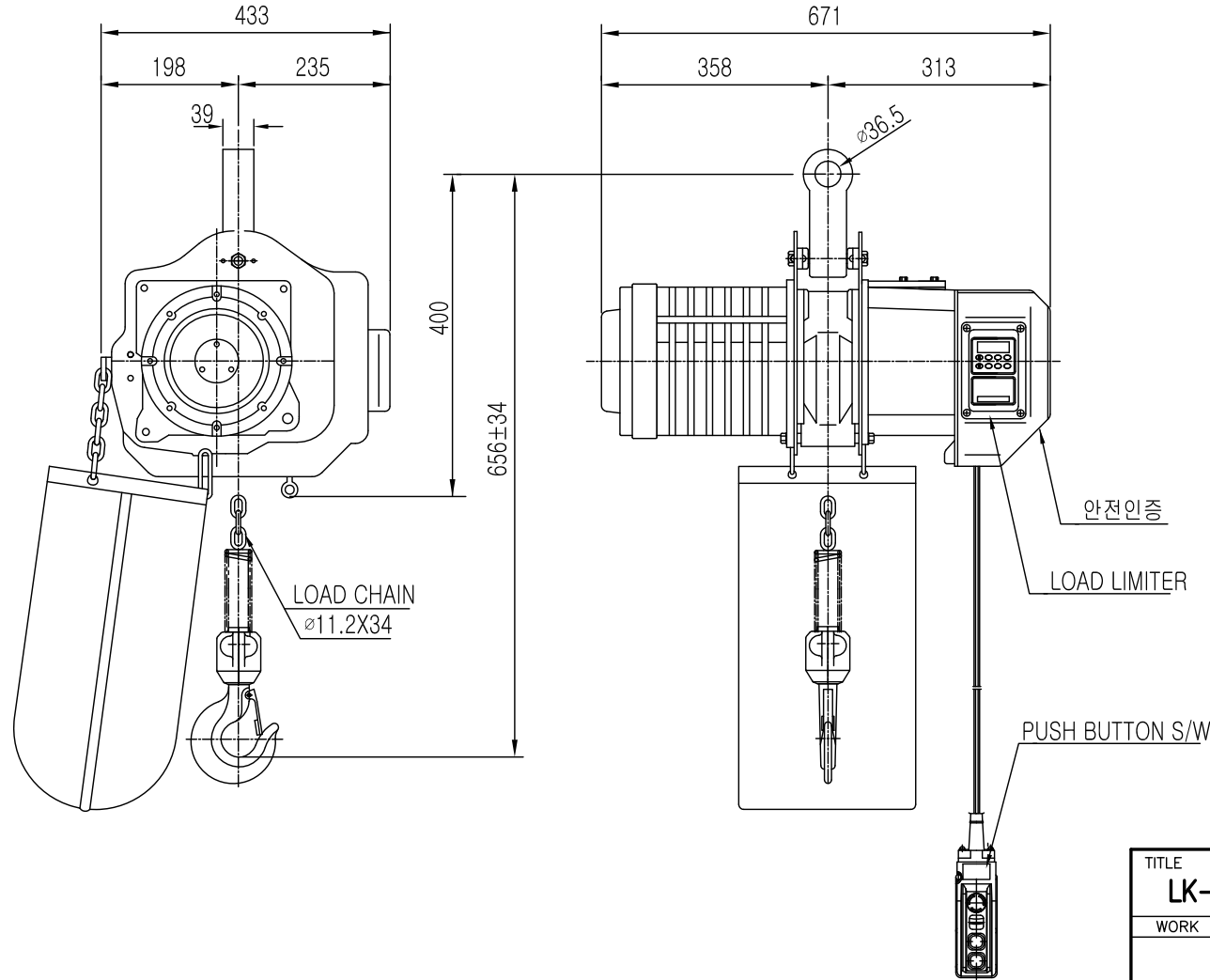


L K HOIST

ON 9MD

| NO | DESCRIPTION | SIZE | MAT' L | Q' TY | WT (kg) | REMARKS |
|----|-------------|------|--------|-------|---------|---------|
| | | | | | | |



| SPECIFICATION | | |
|------------------|---|----------------|
| RATED LOAD | 2.5 | TON |
| TESTING LOAD | 3.125 | TON |
| LIFTING HEIGHT | 100 | M |
| HOISTING | SPEED | 6.5 M/MIN |
| | MOTOR | 3.5 KW x 1 SET |
| TRAVERSING | SPEED | - M/MIN |
| | MOTOR | - KW x - SET |
| POWER SUPPLY | AC220,380,440,460,480V x 3 ϕ x60Hz | |
| OPERATING METHOD | P.B type ON . FL | |
| LOAD CHAIN | $\phi 11.2 \times 34$ (1 FALL) | |
| WIEGHT | 386 KG | |

NOTE)

- 1) 점검 설비를 갖출것.
- 2) 인허가 서류를 완성검사시 제출할것.
- 3) CHAIN BOX 형상 및 SIZE 양정에 따라 변경 됨.

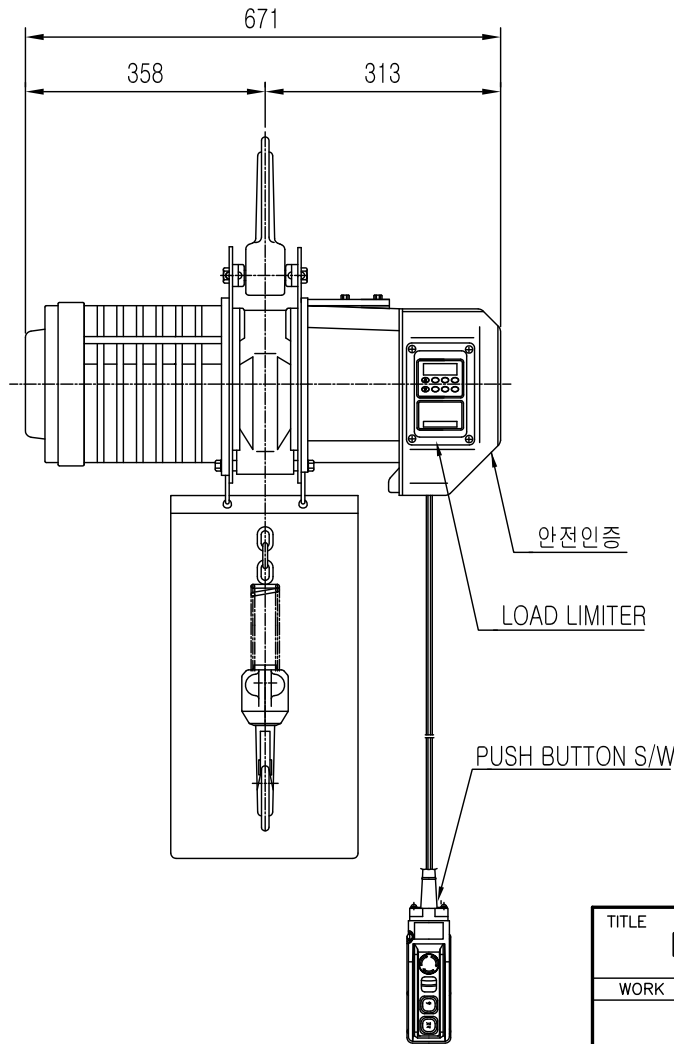
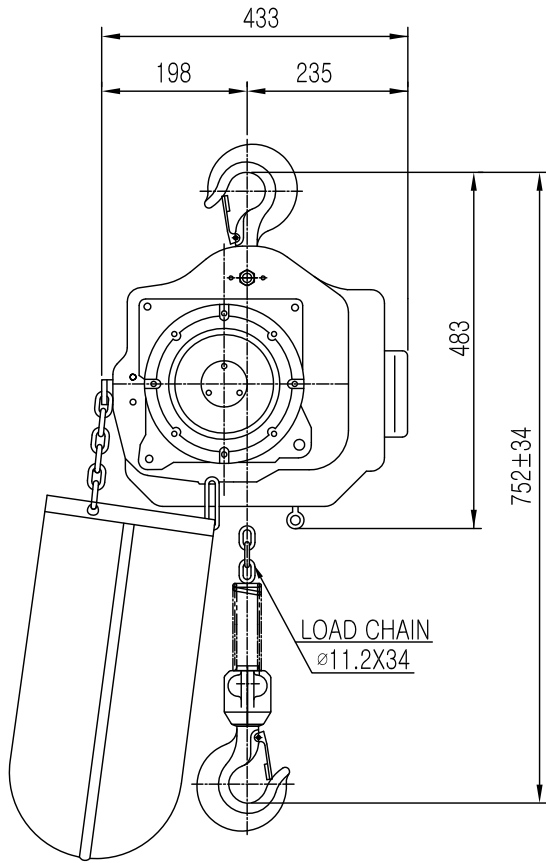
| REV.NO | DATE | REVISION | DESCRIPTION | DRAWN | CHECKED | APPROVED |
|--------|------|----------|-------------|-------|---------|----------|
| | | | | | | |

| TITLE | | | | | PROJECTION | |
|----------------------------------|----------------|----------|----------|------------|------------|--|
| LK-DAH-2.5S ELECTRIC CHAIN HOIST | | | | | | |
| WORK NO | WORK NAME | | | SCALE | Q' TY | |
| | CONNECTOR TYPE | | | N S | 1 | |
| DRAWN | CHECKED | REVIEWED | APPROVED | DRAWING NO | | |
| 김창기 | | | | | | |
| 2010.07.27 | | | | | | |
| | | | | | | |

ON 9MG

L K HOIST

| NO | DESCRIPTION | SIZE | MAT' L | Q' TY | WT (kg) | REMARKS |
|----|-------------|------|--------|-------|---------|---------|
| | | | | | | |



| SPECIFICATION | |
|------------------|----------------------------------|
| RATED LOAD | 2.5 TON |
| TESTING LOAD | 3.125 TON |
| LIFTING HEIGHT | 100 M |
| HOISTING | SPEED 6.5 M/MIN |
| | MOTOR 3.5 KW x 1 SET |
| TRAVERSING | SPEED - M/MIN |
| | MOTOR - KW x - SET |
| POWER SUPPLY | AC220,380,440,460,480V x 3øx60Hz |
| OPERATING METHOD | P.B type ON . FL |
| LOAD CHAIN | ø11.2 x 34 (1 FALL) |
| WIEGHT | 386 KG |

NOTE)

- 1) 점검 설비를 갖출것.
- 2) 인허가 서류를 완성검사시 제출할것.
- 3) CHAIN BOX 형상 및 SIZE 양정에 따라 변경 됨.

| | | | | | |
|----------------------------------|-----------|----------|----------|------------|-------|
| TITLE | | | | PROJECTION | |
| LK-DAH-2.5S ELECTRIC CHAIN HOIST | | | | | |
| WORK NO | WORK NAME | | | SCALE | Q' TY |
| | HOOK TYPE | | | N S | 1 |
| DRAWN | CHECKED | REVIEWED | APPROVED | DRAWING NO | |
| 김 창 기 | | | | | |
| 2010.07.27 | | | | | |
| L K HOIST CO., LTD. | | | | | |

| REV.NO | DATE | REVISION | DESCRIPTION | DRAWN | CHECKED | APPROVED |
|--------|------|----------|-------------|-------|---------|----------|
| | | | | | | |