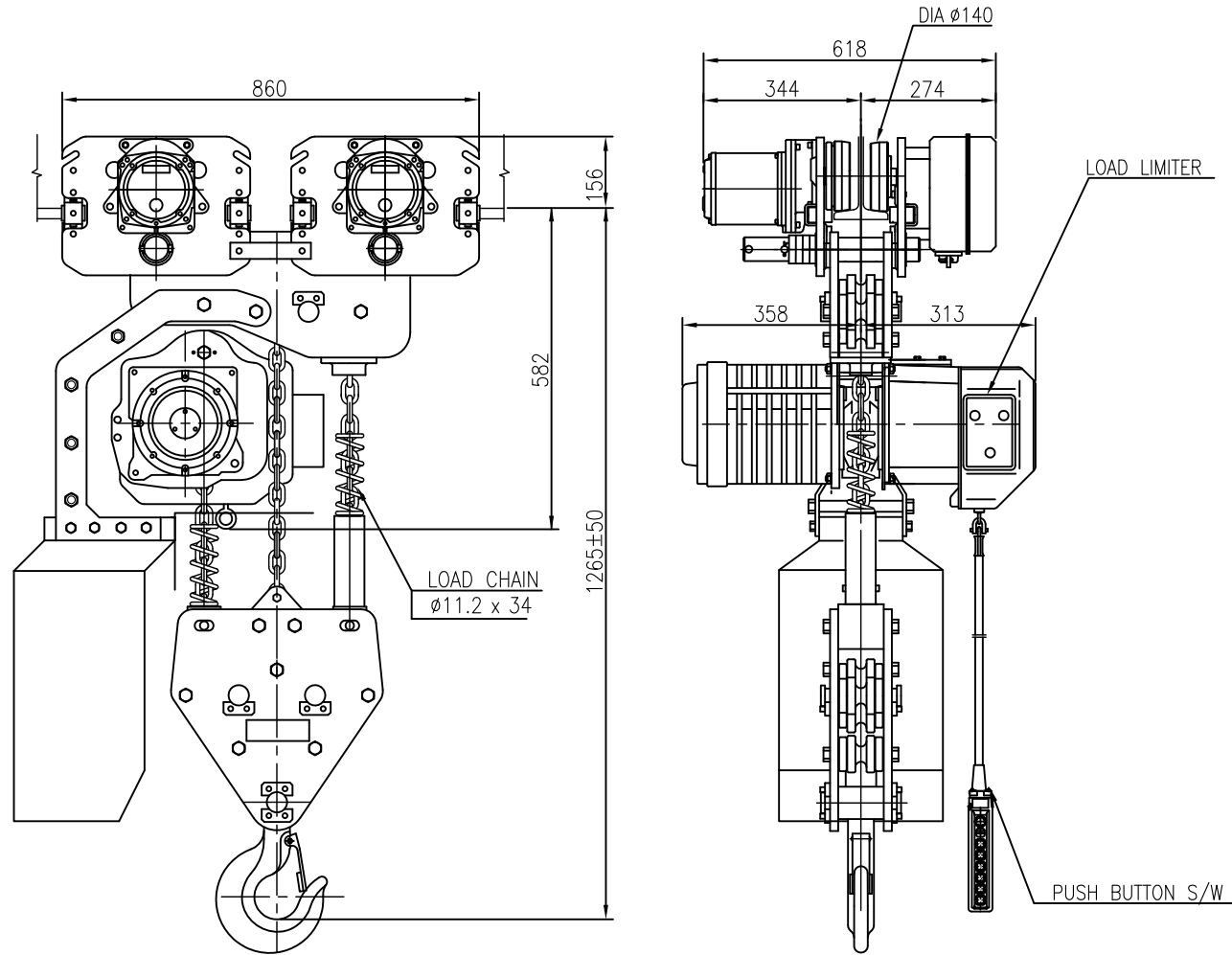


ON GMD

L K HOIST



NO	DESCRIPTION	SIZE	MAT' L	Q' TY	WT (kg)	REMARKS

SPECIFICATION

		LK-DAM-7.5W		
RATED LOAD	(TON)	7.5		
TESTING LOAD	(TON)	9.375		
LIFTING HEIGHT	(M)	50		
HOISTING	SPEED (M/MIN)	2.1		
	MOTOR (KW)	3.5kw x 4p		
TRAVERSING	SPEED (M/MIN)	20	14	20/7
	MOTOR (KW)	0.75kw x 4p (2SET)	0.4kw x 6p (2SET)	0.75/0.25kw x 4/12p (2SET)
POWER SUPPLY	AC220.380.440.460.480Vx3ø x 60 Hz			
OPERATING METHOD	P.B type ON . FL			
LOAD CHAIN	ø11.2 X 34 (3FALL)			
WEIGHT	(KG)	880KG		
I-BEAM 적용폭	125 ~ 190MM			

NOTE)

- 1) 점검 설비를 갖출 것
- 2) 인허가 서류를 완성검사시 제출 할 것

적용 I-BEAM)

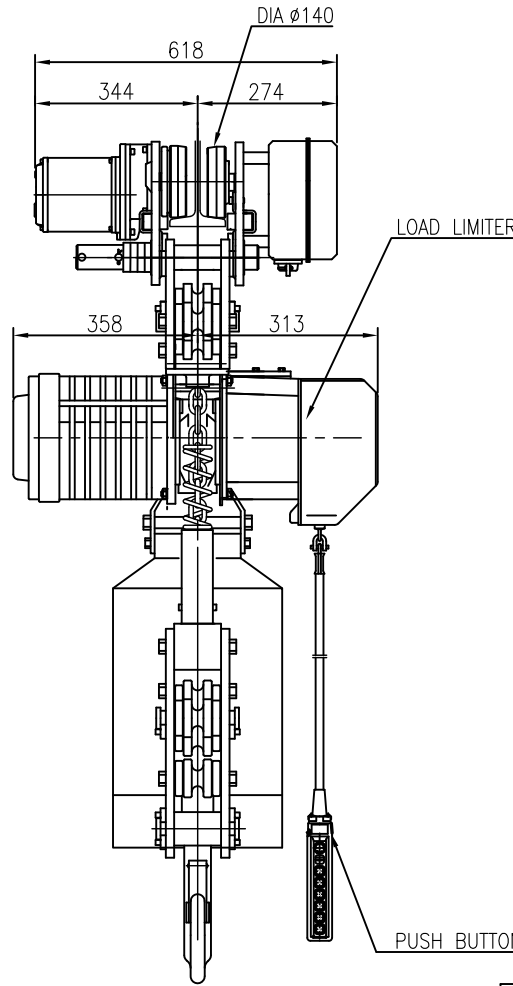
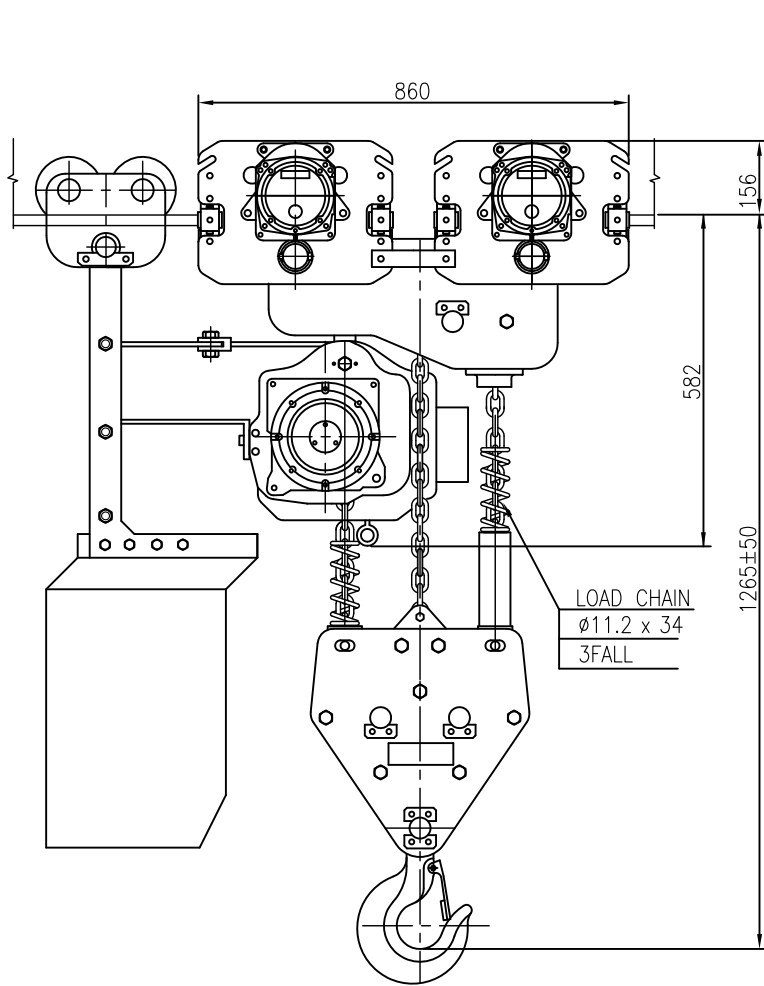
- 1) 지점간거리 : I-250X125X7.5/12.5-1.5M
- 2) 지점간거리 : I-300X150X10/18.5-3.2M
- 3) 지점간거리 : I-450X175X13/26-7.0M
- 4) 지점간거리 : I-600X190X13/25-10M

TITLE					PROJECTION	
ELECTRIC CHAIN HOIST DAM-7.5W						
WORK NO	WORK NAME			SCALE	Q' TY	
	LK-DAM-7.5W				1	
DRAWN	CHECKED	REVIEWED	APPROVED	DRAWING NO		
김 창 기						
2010.08.01				CODE NO		
L K HOIST CO., LTD.						

ON 9MD

L K HOIST

NO	DESCRIPTION	SIZE	MAT' L	Q' TY	WT (kg)	REMARKS
----	-------------	------	--------	-------	---------	---------



SPECIFICATION

		LK-DAM-7.5W		
RATED LOAD	(TON)	7.5		
TESTING LOAD	(TON)	9.375		
LIFTING HEIGHT	(M)	50		
HOISTING	SPEED (M/MIN)	2.1		
	MOTOR (KW)	3.5kw x 4p		
TRAVERSING	SPEED (M/MIN)	20	14	20/7
	MOTOR (KW)	0.75kw x 4p (2SET)	0.4kw x 6p (2SET)	0.75/0.25kw x 4/12p (2SET)
POWER SUPPLY		AC220,380,440,460,480Vx3φ x 60 Hz		
OPERATING METHOD		P.B type ON . FL		
LOAD CHAIN		ø11.2 X 34 (3FALL)		
WEIGHT	(KG)	880KG		
I-BEAM 적용폭		125 ~ 190MM		

NOTE)

- 1) 점검 설비를 갖출 것
- 2) 인허가 서류를 완성검사시 제출 할 것

적용 I-BEAM)

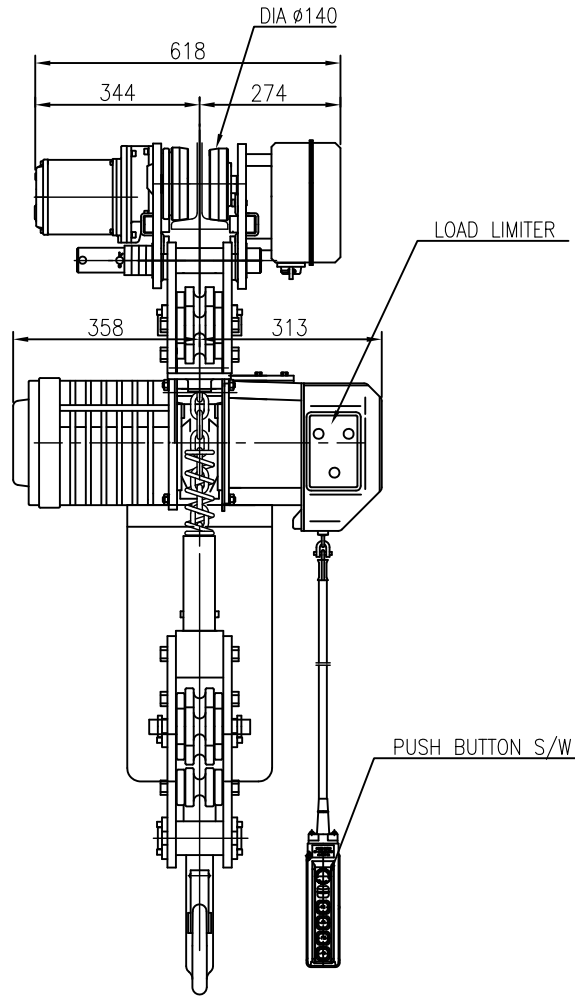
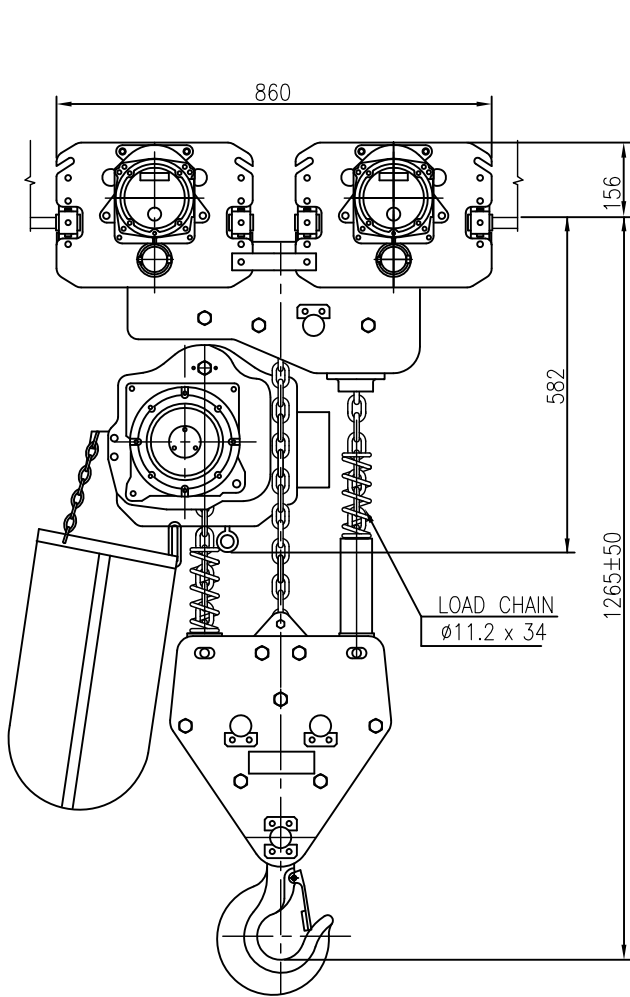
- 1) 지점간거리 : I-250X125X7.5/12.5-1.5M
- 2) 지점간거리 : I-300X150X10/18.5-3.2M
- 3) 지점간거리 : I-450X175X13/26-7.0M
- 4) 지점간거리 : I-600X190X13/25-10M

TITLE					PROJECTION	
ELECTRIC CHAIN HOIST DAM-7.5W						
WORK NO	WORK NAME			SCALE	Q' TY	
	LK-DAM-7.5W				1	
DRAWN	CHECKED	REVIEWED	APPROVED	DRAWING NO		
김 창 기						
2010.08.01				CODE NO		

ON 9MD

L K HOIST

NO	DESCRIPTION	SIZE	MAT' L	Q' TY	WT (kg)	REMARKS



SPECIFICATION

		LK-DAM-7.5W		
RATED LOAD	(TON)	7.5		
TESTING LOAD	(TON)	9.375		
LIFTING HEIGHT	(M)	50		
HOISTING	SPEED (M/MIN)	2.1		
	MOTOR (KW)	3.5kw x 4p		
TRAVERSING	SPEED (M/MIN)	20	14	20/7
	MOTOR (KW)	0.75kw x 4p (2SET)	0.4kw x 6p (2SET)	0.75/0.25kw x 4/12p (2SET)
POWER SUPPLY	AC220.380.440.460.480Vx3ø x 60 Hz			
OPERATING METHOD	P.B type ON . FL			
LOAD CHAIN	Ø11.2 X 34 (3FALL)			
WEIGHT	(KG)	880KG		
I-BEAM 적용폭	125 ~ 190MM			

NOTE)

- 1) 점검 설비를 갖출 것
- 2) 인허가 서류를 완성검사시 제출 할 것

적용 I-BEAM)

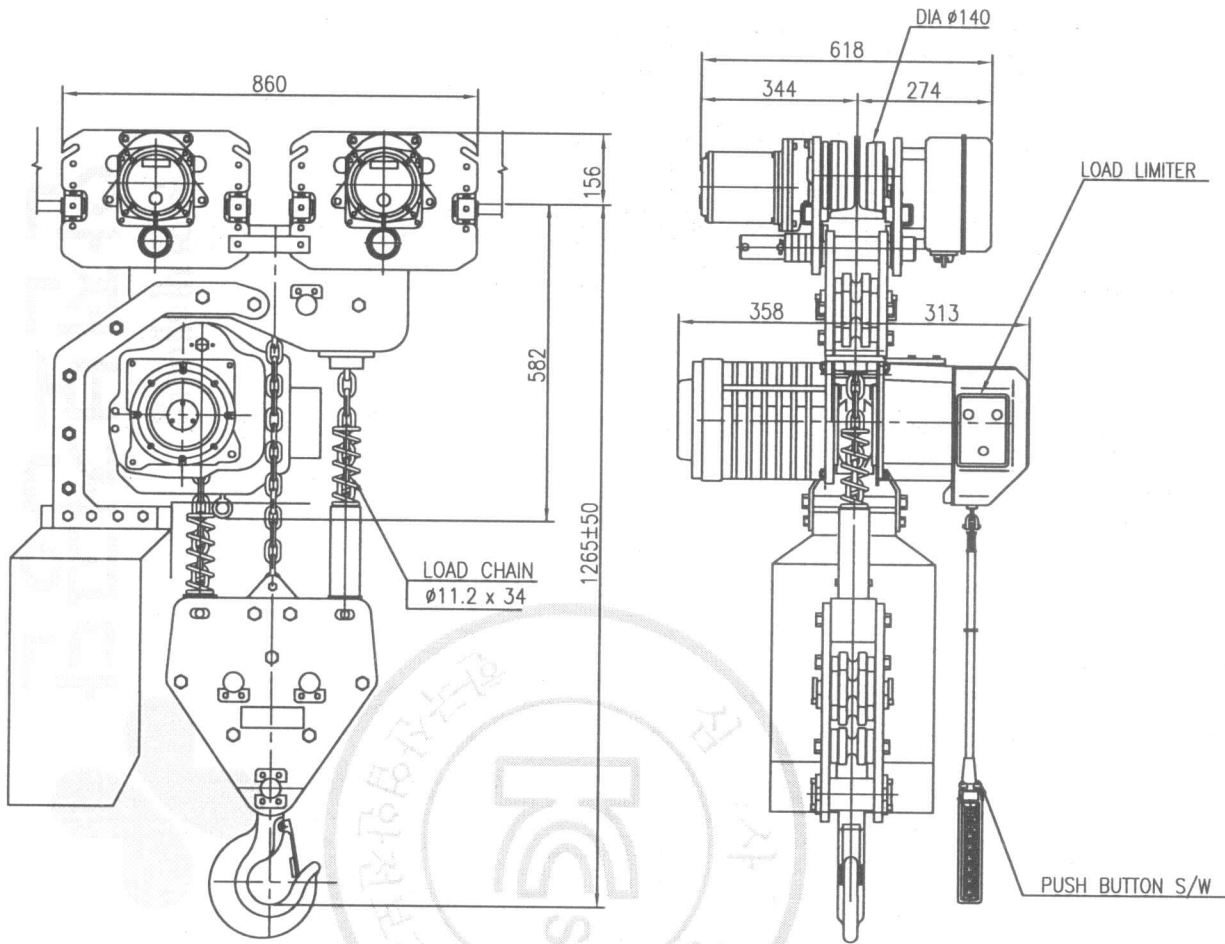
- 1) 지점간거리 : I-250X125X7.5/12.5-1.5M
- 2) 지점간거리 : I-300X150X10/18.5-3.2M
- 3) 지점간거리 : I-450X175X13/26-7.0M
- 4) 지점간거리 : I-600X190X13/25-10M

TITLE					PROJECTION	
ELECTRIC CHAIN HOIST DAM-7.5W						
WORK NO	WORK NAME				SCALE	Q' TY
	LK-DAM-7.5W					1
DRAWN	CHECKED	REVIEWED	APPROVED	DRAWING NO		
김 창 기						
2010.08.01				CODE NO		
L K HOIST CO., LTD.						

ON 5MG

L K HOIST

NO	DESCRIPTION	SIZE	MAT'L	Q'TY	WT (kg)	REMARKS



SPECIFICATION

		LK-DAM-7.5W		
RATED LOAD	(TON)	7.5		
TESTING LOAD	(TON)	9.375		
LIFTING HEIGHT	(M)	50		
HOISTING	SPEED (M/MIN)	2.1		
	MOTOR (KW)	3.5kw x 4p		
TRAVERSING	SPEED (M/MIN)	20	14	20/7
	MOTOR (KW)	0.75kw x 4p (2SET)	0.4kw x 6p (2SET)	0.75/0.25kw x 4/12p (2SET)
POWER SUPPLY	AC220.380.440.460,480Vx3ø x 60 Hz			
OPERATING METHOD	P.B type ON . FL			
LOAD CHAIN	ø11.2 X 34 (3FALL)			
WEIGHT	(KG)	880KG		
I-BEAM 적용폭	125 ~ 190MM			

NOTE)

- 1) 점검 설비를 갖출 것
- 2) 인허가 서류를 완성검사시 제출 할 것

적용 I-BEAM)

- 1) 지점간거리 : I-250X125X7.5/12.5-1.5M
- 2) 지점간거리 : I-300X150X10/18.5-3.2M
- 3) 지점간거리 : I-450X175X13/26-7.0M
- 4) 지점간거리 : I-600X190X13/25-10M

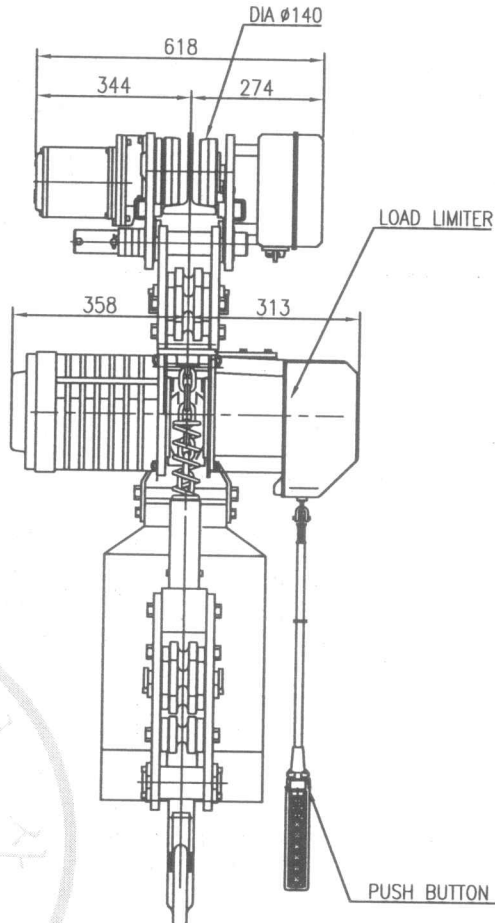
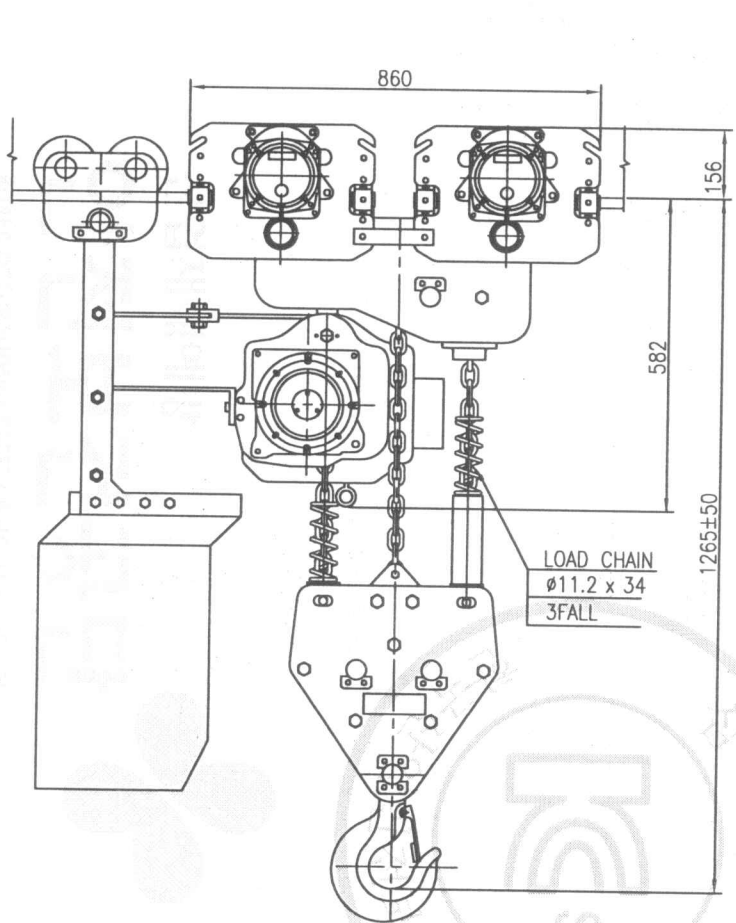
TITLE		PROJECTION	
ELECTRIC CHAIN HOIST DAM-7.5W			
WORK NO	WORK NAME	SCALE	Q'TY
	LK-DAM-7.5W		1
DRAWN	CHECKED	REVIEWED	APPROVED
김창기			
2010.08.01			
DRAWING NO		CODE NO	
L K HOIST CO., LTD.			

물범복제 및 배포금지

ON GMD

L K HOIST

NO	DESCRIPTION	SIZE	MAT' L	Q' TY	WT (kg)	REMARKS
----	-------------	------	--------	-------	---------	---------



SPECIFICATION

		LK-DAM-7.5W		
RATED LOAD (TON)		7.5		
TESTING LOAD (TON)		9.375		
LIFTING HEIGHT (M)		50		
HOISTING	SPEED (M/MIN)	2.1		
	MOTOR (KW)	3.5kw x 4p		
TRAVERSING	SPEED (M/MIN)	20	14	20/7
	MOTOR (KW)	0.75kw x 4p (2SET)	0.4kw x 6p (2SET)	0.75/0.25kw x 4/12p (2SET)
POWER SUPPLY	AC220.380.440.460.480Vx3φ x 60 Hz			
OPERATING METHOD	P.B type ON . FL			
LOAD CHAIN	φ11.2 X 34 (3FALL)			
WEIGHT (KG)	880KG			
I-BEAM 적용폭	125 ~ 190MM			

NOTE)

- 1) 점검 설비를 갖출 것
- 2) 인허가 서류를 완성검사시 제출 할 것

적용 I-BEAM)

- 1) 지점간거리 : I-250X125X7.5/12.5-1.5M
- 2) 지점간거리 : I-300X150X10/18.5-3.2M
- 3) 지점간거리 : I-450X175X13/26-7.0M
- 4) 지점간거리 : I-600X190X13/25-10M

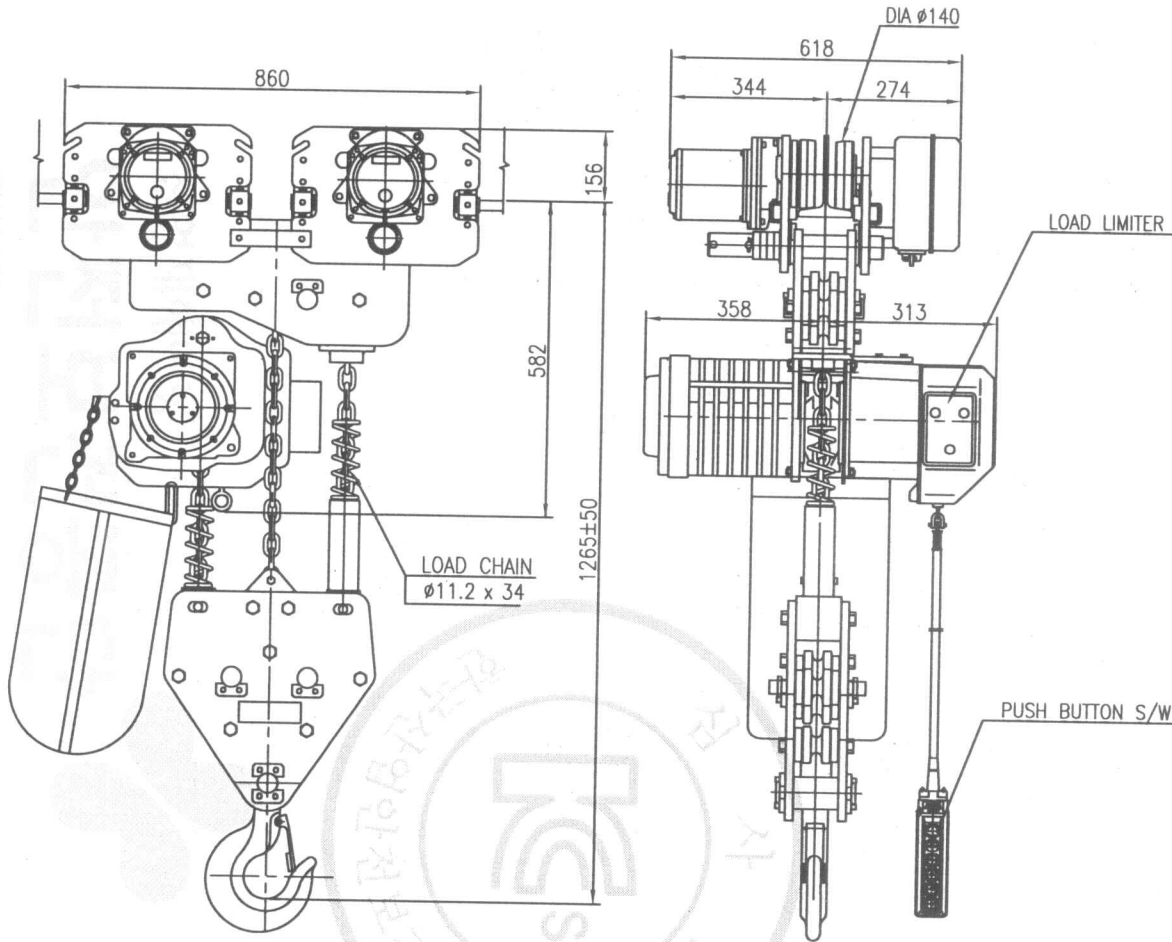
TITLE					PROJECTION	
ELECTRIC CHAIN HOIST DAM-7.5W						
WORK NO	WORK NAME				SCALE	Q' TY
	LK-DAM-7.5W					1
DRAWN	CHECKED	REVIEWED	APPROVED	DRAWING NO		
김 창 기				CODE NO		
2010.08.01						

원본복제 및 배포금지

ON GWC

L K HOIST

NO	DESCRIPTION	SIZE	MAT' L	Q' TY	WT (kg)	REMARKS



SPECIFICATION

		LK-DAM-7.5W		
RATED LOAD	(TON)	7.5		
TESTING LOAD	(TON)	9.375		
LIFTING HEIGHT	(M)	50		
HOISTING	SPEED (M/MIN)	2.1		
	MOTOR (KW)	3.5kw x 4p		
TRAVERSING	SPEED (M/MIN)	20	14	20/7
	MOTOR (KW)	0.75kw x 4p (2SET)	0.4kw x 6p (2SET)	0.75/0.25kw x 4/12p (2SET)
POWER SUPPLY	AC220.380.440.460.480Vx3ø x 60 Hz			
OPERATING METHOD	P.B type ON . FL			
LOAD CHAIN	ø11.2 X 34 (3FALL)			
WEIGHT	(KG)	880KG		
I-BEAM 적용폭	125 ~ 190MM			

NOTE)

- 1) 점검 설비를 갖추어 것
- 2) 인허가 서류를 완성검사시 제출 할 것

적용 I-BEAM)

- 1) 지점간거리 : I-250X125X7.5/12.5-1.5M
- 2) 지점간거리 : I-300X150X10/18.5-3.2M
- 3) 지점간거리 : I-450X175X13/26-7.0M
- 4) 지점간거리 : I-600X190X13/25-10M

TITLE		ELECTRIC CHAIN HOIST DAM-7.5W		PROJECTION	
WORK NO	WORK NAME	LK-DAM-7.5W		SCALE	Q' TY
					1
DRAWN	CHECKED	REVIEWED	APPROVED	DRAWING NO	
김창기				CODE NO	
2010.08.01					

LK L K HOIST CO., LTD.

물범북제 및 배포금지