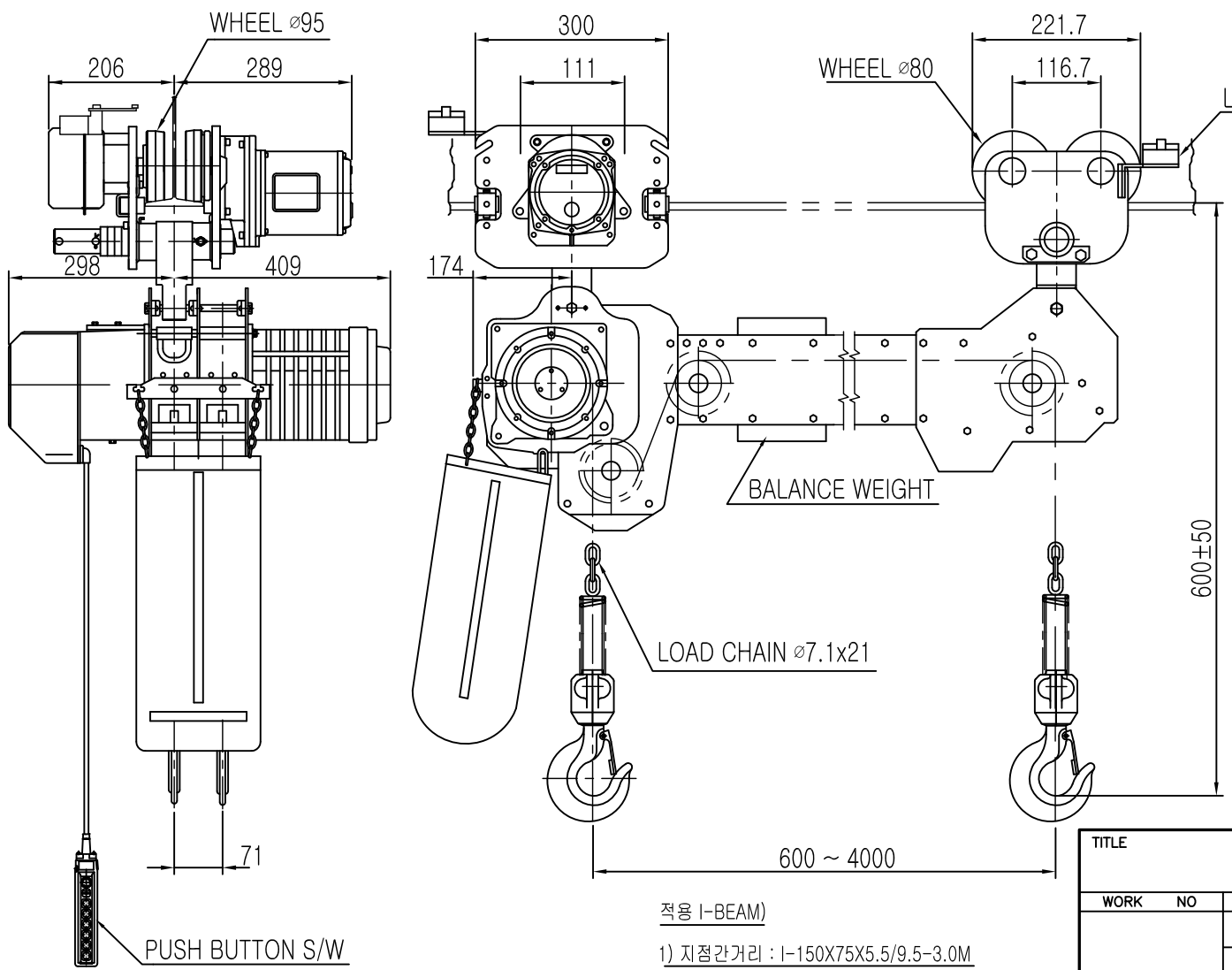


ON GMD

L K HOIST

| NO | DESCRIPTION | SIZE | MAT' L | Q' TY | WT (kg) | REMARKS |
|----|-------------|------|--------|-------|---------|---------|
| | | | | | | |



SPECIFICATION

| | | LK-DHDBM-0.5S |
|--------------------|---------------|--|
| RATED LOAD (TON) | | 0.5 |
| TESTING LOAD (TON) | | 0.625 |
| LIFTING HEIGHT (M) | | 50 |
| HOISTING | SPEED (M/MIN) | 8.2/2.7 |
| | MOTOR (KW) | 1.8/0.7kw x 2/6p |
| TRAVERSING | SPEED (M/MIN) | 22 14 22/7 |
| | MOTOR (KW) | 0.4kw x 4p 0.3kw x 6p 0.4/0.14kw x 4/12p |
| POWER SUPPLY | | AC220.380.440.460.480Vx3 ϕ x 60 Hz |
| OPERATING METHOD | | P.B type ON . FL |
| LOAD CHAIN | | $\varnothing 7.1 \times 21$ (1FALL) |
| WEIGHT (KG) | | 373 |
| I-BEAM 적용폭 | | 75 ~ 175MM |

NOTE)
 1)점검 설비를 갖출 것
 2)인허가 서류를 완성검사시 제출 할 것

- 적용 I-BEAM)
- 1) 지점간거리 : I-150X75X5.5/9.5-3.0M
 - 2) 지점간 거리: I-200X100X7/10 - 5.0M
 - 3) 지점간거리 : I-250X125X7.5/12.5-7.5M
 - 4) 지점간거리 : I-300X150X10/18.5-10M
 - 5) 지점간거리 : I-450X175X13/26-15M

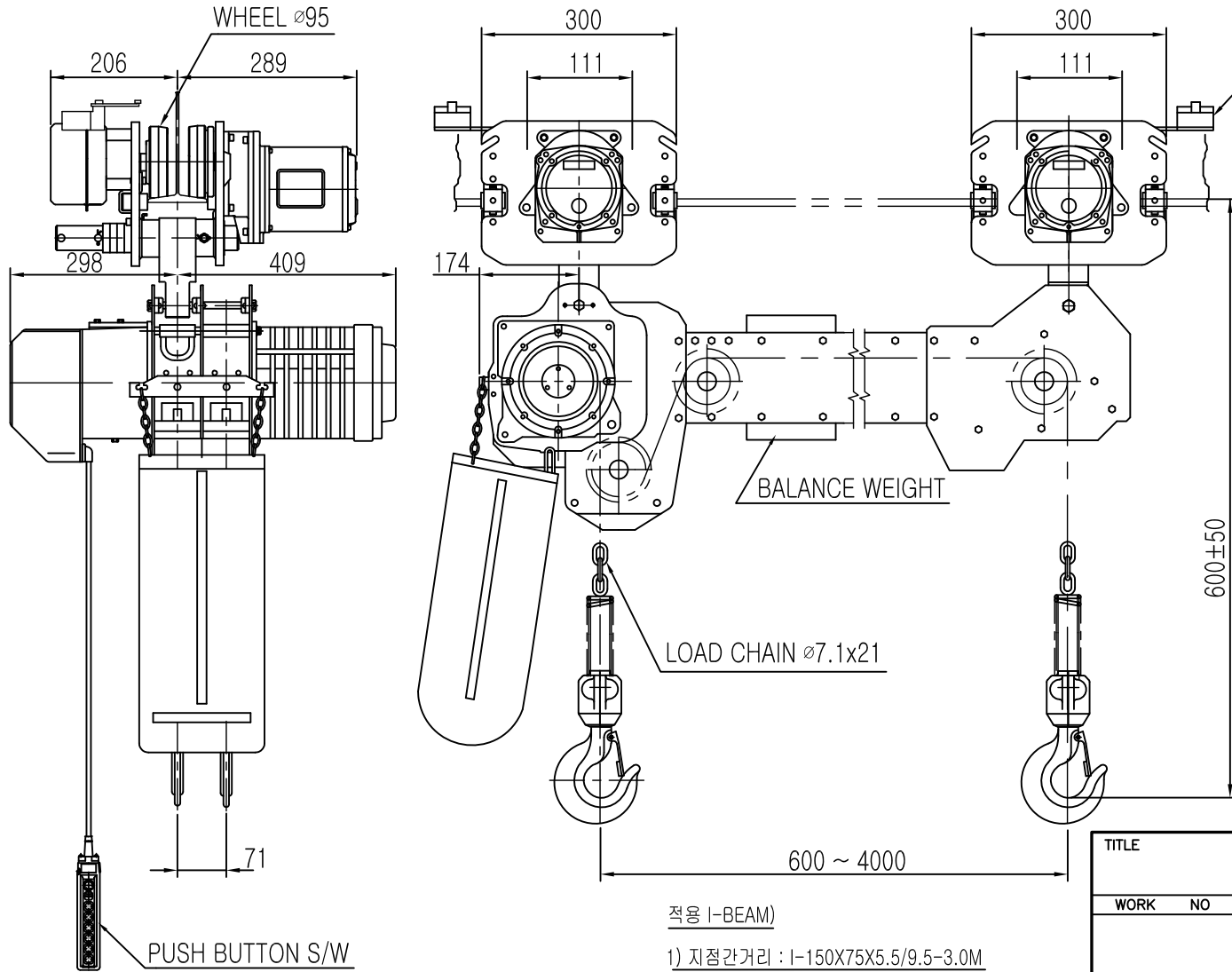
| REV.NO | DATE | REVISION | DESCRIPTION | DRAWN | CHECKED | APPROVED |
|--------|------|----------|-------------|-------|---------|----------|
| | | | | | | |

| | | | | | | | |
|------------|--|---------|--|----------------------|--|------------|--|
| TITLE | | | | ELECTRIC CHAIN HOIST | | PROJECTION | |
| WORK NO | | | | WORK NAME | | SCALE | |
| | | | | LK-DHDBM-0.5S | | N S 1 | |
| DRAWN | | CHECKED | | REVIEWED | | APPROVED | |
| 김 창 기 | | | | | | DRAWING NO | |
| 2010.08.01 | | | | | | CORD NO | |
| | | | | | | | |

ON 5MD

L K HOIST

| NO | DESCRIPTION | SIZE | MAT' L | Q' TY | WT (kg) | REMARKS |
|----|-------------|------|--------|-------|---------|---------|
|----|-------------|------|--------|-------|---------|---------|



SPECIFICATION

| | | LK-DHDBM-0.5S | | |
|--------------------|---------------|---|---------------|-----------------------|
| RATED LOAD (TON) | | 0.5 | | |
| TESTING LOAD (TON) | | 0.625 | | |
| LIFTING HEIGHT (M) | | 50 | | |
| HOISTING | SPEED (M/MIN) | 8.2/2.7 | | |
| | MOTOR (KW) | 1.8/0.7kw x 2/6p | | |
| TRAVERSING | SPEED (M/MIN) | 22 | 14 | 22/7 |
| | MOTOR (KW) | 0.4kwx4p-2set | 0.3kwx6p-2set | 0.4/0.14kwx4/12p-2set |
| POWER SUPPLY | | AC220,380,440,460,480Vx3 ϕ x 60 Hz | | |
| OPERATING METHOD | | P.B type ON, FL | | |
| LOAD CHAIN | | $\varnothing 7.1 \times 21$ (1FALL) | | |
| WEIGHT (KG) | | 373 | | |
| I-BEAM 적용폭 | | 75 ~ 175MM | | |

NOTE)

- 1) 점검 설비를 갖출 것
- 2) 인허가 서류를 완성경사시 제출 할 것

적용 I-BEAM)

- 1) 지점간거리 : I-150X75X5.5/9.5-3.0M
- 2) 지점간 거리: I-200X100X7/10 - 5.0M
- 3) 지점간거리 : I-250X125X7.5/12.5-7.5M
- 4) 지점간거리 : I-300X150X10/18.5-10M
- 5) 지점간거리 : I-450X175X13/26-15M

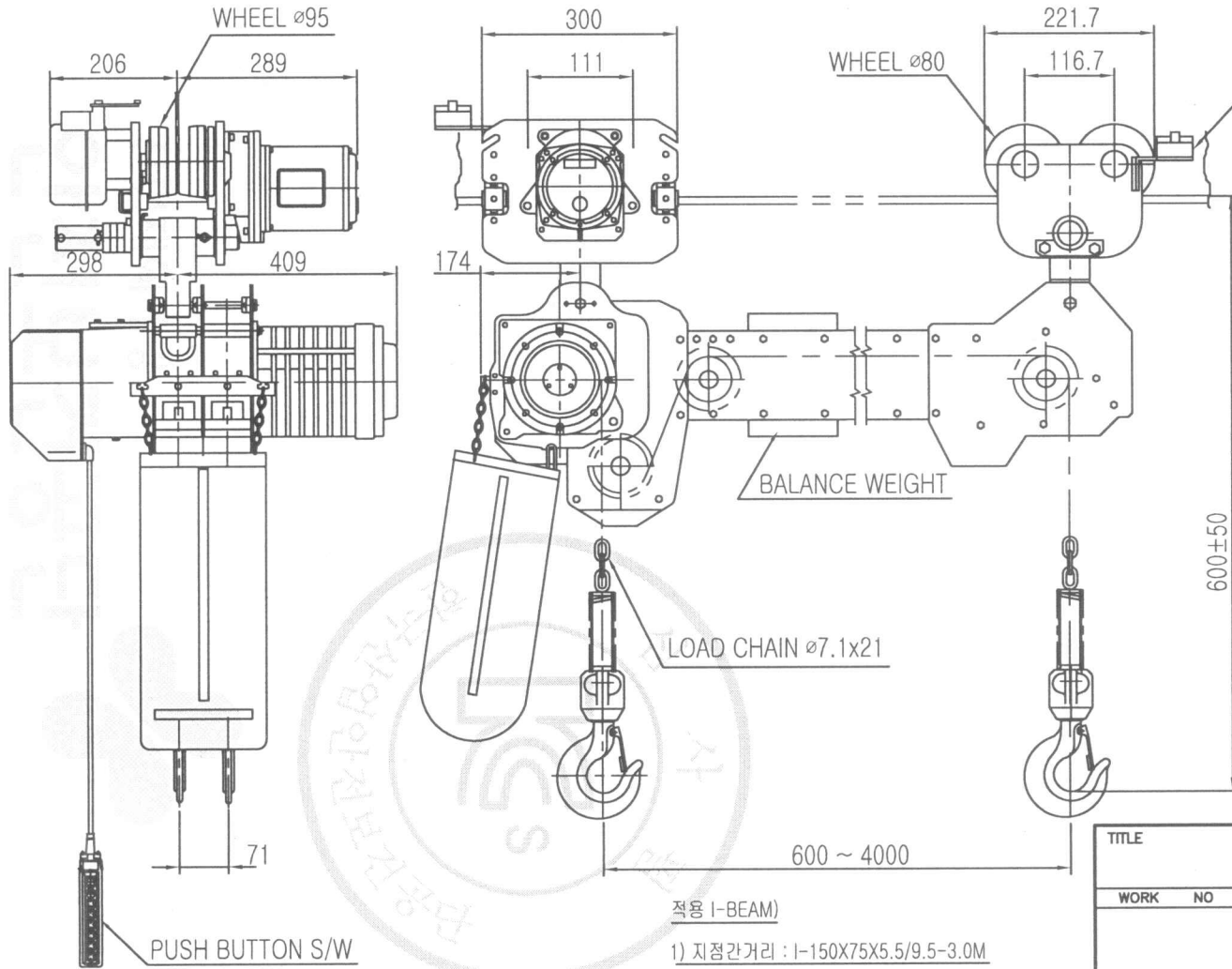
| REV.NO | DATE | REVISION | DESCRIPTION | DRAWN | CHECKED | APPROVED |
|--------|------|----------|-------------|-------|---------|----------|
|--------|------|----------|-------------|-------|---------|----------|

| TITLE | | | | | PROJECTION | |
|----------------------|---------------|----------|----------|------------|------------|-------|
| ELECTRIC CHAIN HOIST | | | | | | |
| WORK NO | WORK NAME | | | | SCALE | Q' TY |
| | LK-DHDBM-0.5S | | | | N S | 1 |
| DRAWN | CHECKED | REVIEWED | APPROVED | DRAWING NO | | |
| 김창기 | | | | CORD NO | | |
| 2010.08.01 | | | | | | |
| | | | | | | |

ON GMD

L K HOIST

| NO | DESCRIPTION | SIZE | MAT'L | Q'TY | WT (kg) | REMARKS |
|----|-------------|------|-------|------|---------|---------|
| | | | | | | |



| LK-DHDBM-0.5S | | |
|--------------------|---|--|
| RATED LOAD (TON) | 0.5 | |
| TESTING LOAD (TON) | 0.625 | |
| LIFTING HEIGHT (M) | 50 | |
| HOISTING | SPEED (M/MIN) | 8.2/2.7 |
| | MOTOR (KW) | 1.8/0.7kw x 2/6p |
| TRAVERSING | SPEED (M/MIN) | 22 14 22/7 |
| | MOTOR (KW) | 0.4kw x 4p 0.3kw x 6p 0.4/0.14kw x 4/12p |
| POWER SUPPLY | AC220,380,440,460,480Vx3 ϕ x 60 Hz | |
| OPERATING METHOD | P.B type ON . FL | |
| LOAD CHAIN | $\phi 7.1 \times 21$ (1FALL) | |
| WEIGHT (KG) | 373 | |
| I-BEAM 적용폭 | 75 ~ 175MM | |

NOTE)

- 1) 점검 설비를 갖추실 것
- 2) 인허가 서류를 완성검사시 제출 할 것

적용 I-BEAM)

- 1) 지점간거리 : I-150X75X5.5/9.5-3.0M
- 2) 지점간 거리 : I-200X100X7/10 - 5.0M
- 3) 지점간거리 : I-250X125X7.5/12.5-7.5M
- 4) 지점간거리 : I-300X150X10/18.5-10M
- 5) 지점간거리 : I-450X175X13/26-15M

| REV.NO | DATE | REVISION | DESCRIPTION | DRAWN | CHECKED | APPROVED |
|--------|------|----------|-------------|-------|---------|----------|
| | | | | | | |

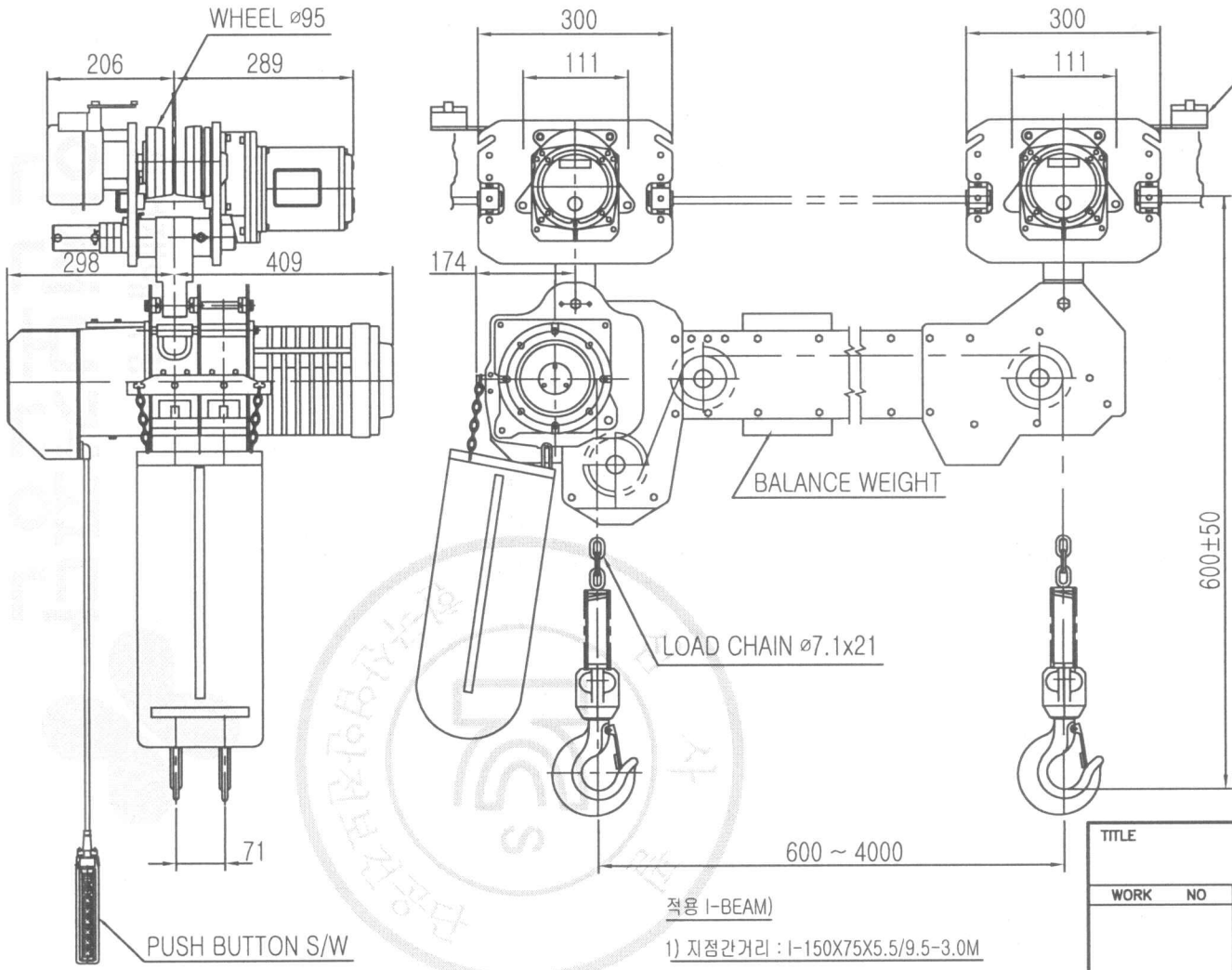
| TITLE | | | | | PROJECTION | |
|----------------------|---------------|----------|----------|------------|------------|------|
| ELECTRIC CHAIN HOIST | | | | | | |
| WORK NO | WORK NAME | | | | SCALE | Q'TY |
| | LK-DHDBM-0.5S | | | | N S | 1 |
| DRAWN | CHECKED | REVIEWED | APPROVED | DRAWING NO | | |
| 김 창 기 | | | | CORD NO | | |
| 2010.08.01 | | | | | | |
| L K HOIST CO., LTD. | | | | | | |

물범북제 및 배포금지

L K HOIST

ON 9MD

| NO | DESCRIPTION | SIZE | MAT' L | Q' TY | WT (kg) | REMARKS |
|----|-------------|------|--------|-------|---------|---------|
|----|-------------|------|--------|-------|---------|---------|



SPECIFICATION

| | | LK-DHDBM-0.5S | |
|--------------------|---------------|-----------------------------------|---------------|
| RATED LOAD (TON) | | 0.5 | |
| TESTING LOAD (TON) | | 0.625 | |
| LIFTING HEIGHT (M) | | 50 | |
| HOISTING | SPEED (M/MIN) | 8.2/2.7 | |
| | MOTOR (KW) | 1.8/0.7kw x 2/6p | |
| TRAVERSING | SPEED (M/MIN) | 22 | 14 |
| | MOTOR (KW) | 0.4kwx4p-2set | 0.3kwx6p-2set |
| POWER SUPPLY | | AC220.380.440.460.480Vx3ø x 60 Hz | |
| OPERATING METHOD | | P.B type ON, FL | |
| LOAD CHAIN | | ø7.1 X 21 (1FALL) | |
| WEIGHT (KG) | | 373 | |
| I-BEAM 적용폭 | | 75 ~ 175MM | |

NOTE)
 1) 점검 설비를 갖출 것
 2) 인허가 서류를 완성검사시 제출 할 것

- 적용 I-BEAM)
- 1) 지점간거리 : I-150X75X5.5/9.5-3.0M
 - 2) 지점간 거리 : I-200X100X7/10 - 5.0M
 - 3) 지점간거리 : I-250X125X7.5/12.5-7.5M
 - 4) 지점간거리 : I-300X150X10/18.5-10M
 - 5) 지점간거리 : I-450X175X13/26-15M

| REV.NO | DATE | REVISION | DESCRIPTION | DRAWN | CHECKED | APPROVED |
|--------|------|----------|-------------|-------|---------|----------|
|--------|------|----------|-------------|-------|---------|----------|

| | | | | | | | |
|---------------------|---------|----------|----------|----------------------|--|------------|-------|
| TITLE | | | | ELECTRIC CHAIN HOIST | | PROJECTION | |
| WORK NO | | | | WORK NAME | | | |
| | | | | LK-DHDBM-0.5S | | SCALE | Q' TY |
| | | | | | | N S | 1 |
| DRAWN | CHECKED | REVIEWED | APPROVED | DRAWING NO | | | |
| 김 창 기 | | | | CORD NO | | | |
| 2010.08.01 | | | | | | | |
| L K HOIST CO., LTD. | | | | | | | |

물범북제 및 배포금지