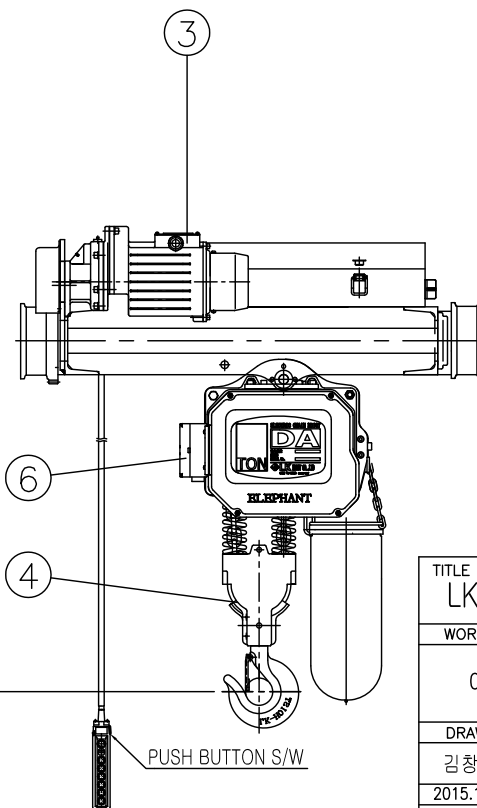
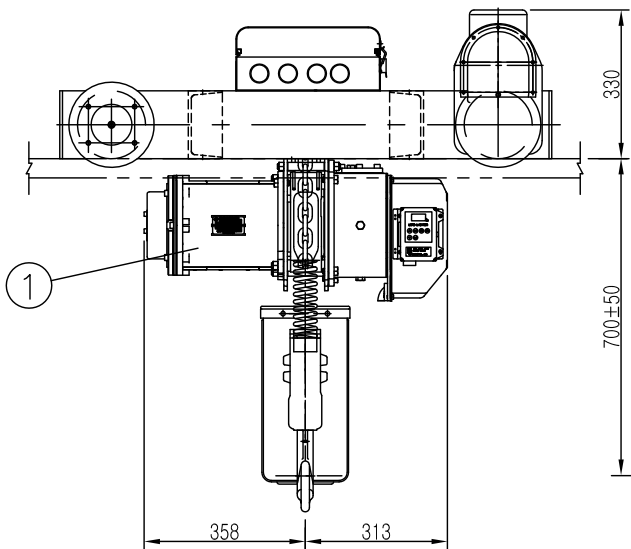
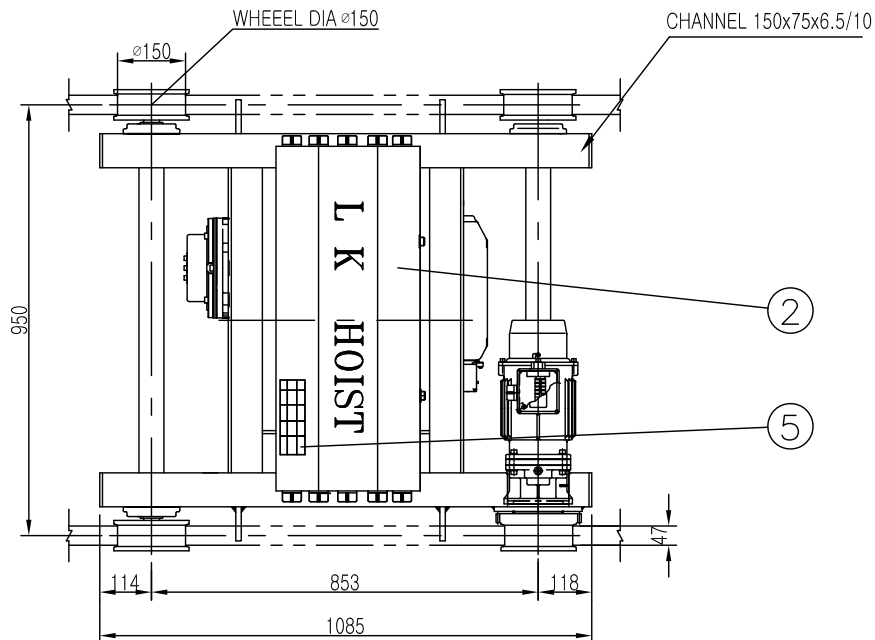


ON 9MD

# L K HOIST



NO	DESCRIPTION	SIZE	MAT'	REMARKS
1	HOISTING MOTOR ASS'Y		1	
2	HOISTING CONTROL ASS'Y		1	
3	GEARED MOTOR ASS'Y		1	
4	BOTTOM HOOK ASS'Y		1	
5	NAME PLATE		1	
6	LOAD LIMITER		1	

SPECIFICATION		
RATED LOAD	2.8	TON
TESTING LOAD	3.5	TON
LIFTING HEIGHT	30	M
HOISTING	SPEED	MOTOR
	5.15 m/min	3.5KW(4P)
TRAVERSING	24m/min	0.75KW(4P)
	16m/min	0.5KW(6P)
	24/8m/min	0.75/0.25KW *4/12P
	17/5.4m/min	0.75/0.25KW *4/12P
POWER SUPPLY	AC220,380,440,460,480V x 3ø x 60 Hz	
OPERATING METHOD	P.B type ON . FL	
WIEGHT	373KG	
RAIL	15Kg/m	
RAIL gauge	950MM	
LOAD CHAIN	9.5 X 28.6(2줄)	

## NOTE)

1. 점검 설비를 갖출 것.
2. 인허가 서류를 완성 검사시 제출 할 것.

TITLE					PROJECTION	
LK-DADS-2.8W ELECTRIC CHAIN HOIST						
WORK NO	WORK NAME				SCALE	Q' TY
000	LK-DADS-2.8W				N S	1
HOIST ASS'Y						
DRAWN	CHECKED	REVIEWED	APPROVED	MODEL		
김창기						
2015.11.05				CODE NO		
L K HOIST CO., LTD.						