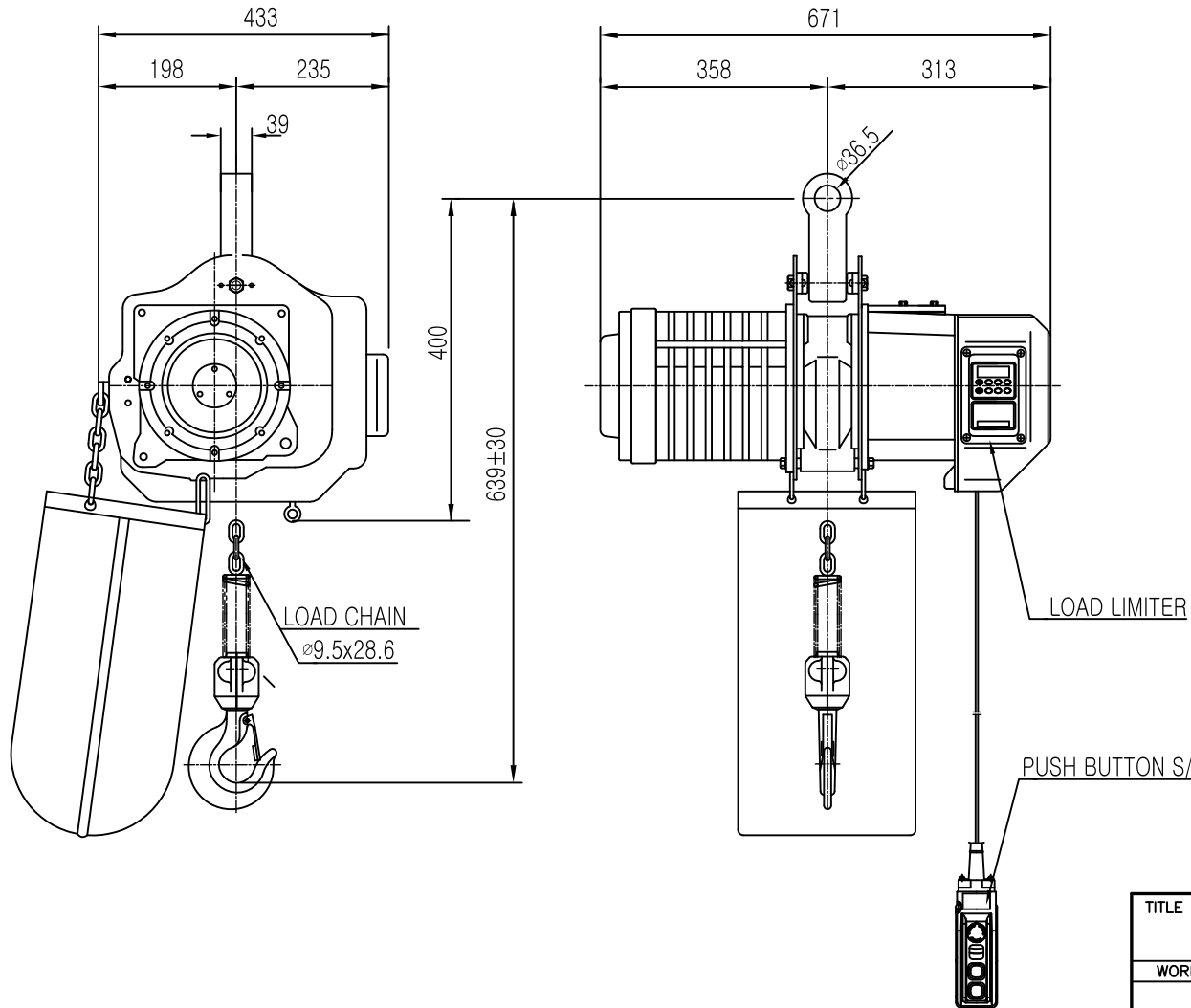


# L K HOIST

ON 5MG

NO	DESCRIPTION	SIZE	MAT' L	Q' TY	WT (kg)	REMARKS



SPECIFICATION		
HOISTING LOAD	1.5	TON
TESTING LOAD	1.875	TON
LIFTING HEIGHT	50	M
HOISTING	SPEED	10.3 M/MIN
	MOTOR	3.5 KW x 1 SET
TRAVERSING	SPEED	- M/MIN
	MOTOR	- KW x - SET
POWER SUPPLY	AC220,380,440,460,480Vx 3 $\phi$ x 60 Hz	
OPERATING METHOD	P.B type ON . FL	
LOAD CHAIN	$\phi 9.5 \times 28.6$ (1 FALL)	
WIEGHT	215 KG	

NOTE)

- 1) 점검 설비를 갖출것.
- 2) 인허가 서류를 완성검사시 제출할것.

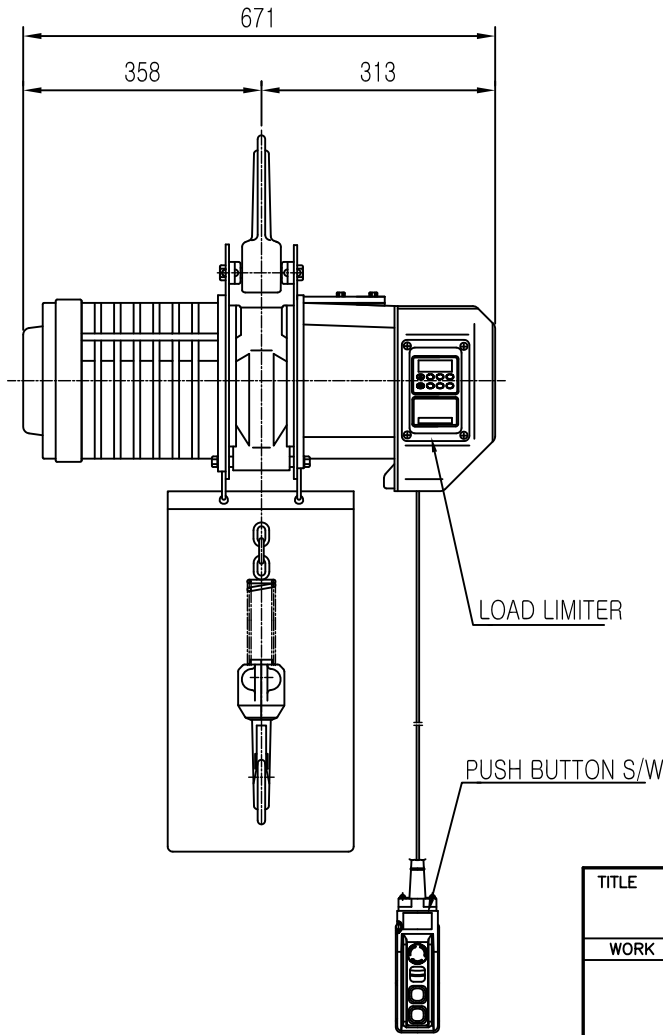
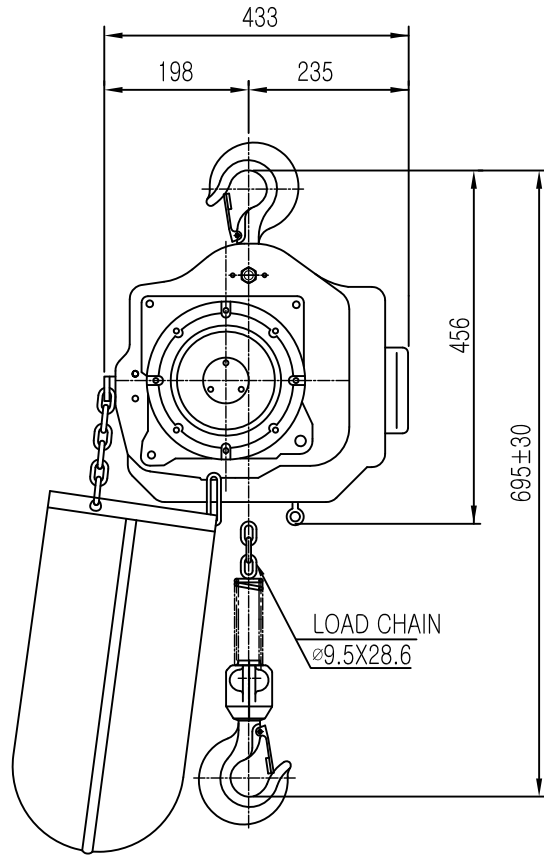
TITLE					PROJECTION	
DA-1.5S ELECTRIC CHAIN HOIST						
WORK NO	WORK NAME				SCALE	Q' TY
CONNECTOR TYPE					N	S 1
DRAWN	CHECKED	REVIEWED	APPROVED	DRAWING NO		
김 창 기						
2010.07.27						

REV.NO	DATE	REVISION	DESCRIPTION	DRAWN	CHECKED	APPROVED

ON ㉠MG

# L K HOIST

NO	DESCRIPTION	SIZE	MAT' L	Q' TY	WT (kg)	REMARKS



SPECIFICATION	
HOISTING LOAD	1.5 TON
TESTING LOAD	1.875 TON
LIFTING HEIGHT	50 M
HOISTING	SPEED 10.3 M/MIN
	MOTOR 3.5 KW x 1 SET
TRAVERSING	SPEED - M/MIN
	MOTOR - KW x - SET
POWER SUPPLY	AC220,380,440,460,480Vx 3φ x 60 Hz
OPERATING METHOD	P.B type ON . FL
LOAD CHAIN	φ9.5 x 28.6 (1 FALL)
WIEGHT	215 KG

NOTE)

- 1) 점검 설비를 갖출것.
- 2) 인허가 서류를 완성검사시 제출할것.

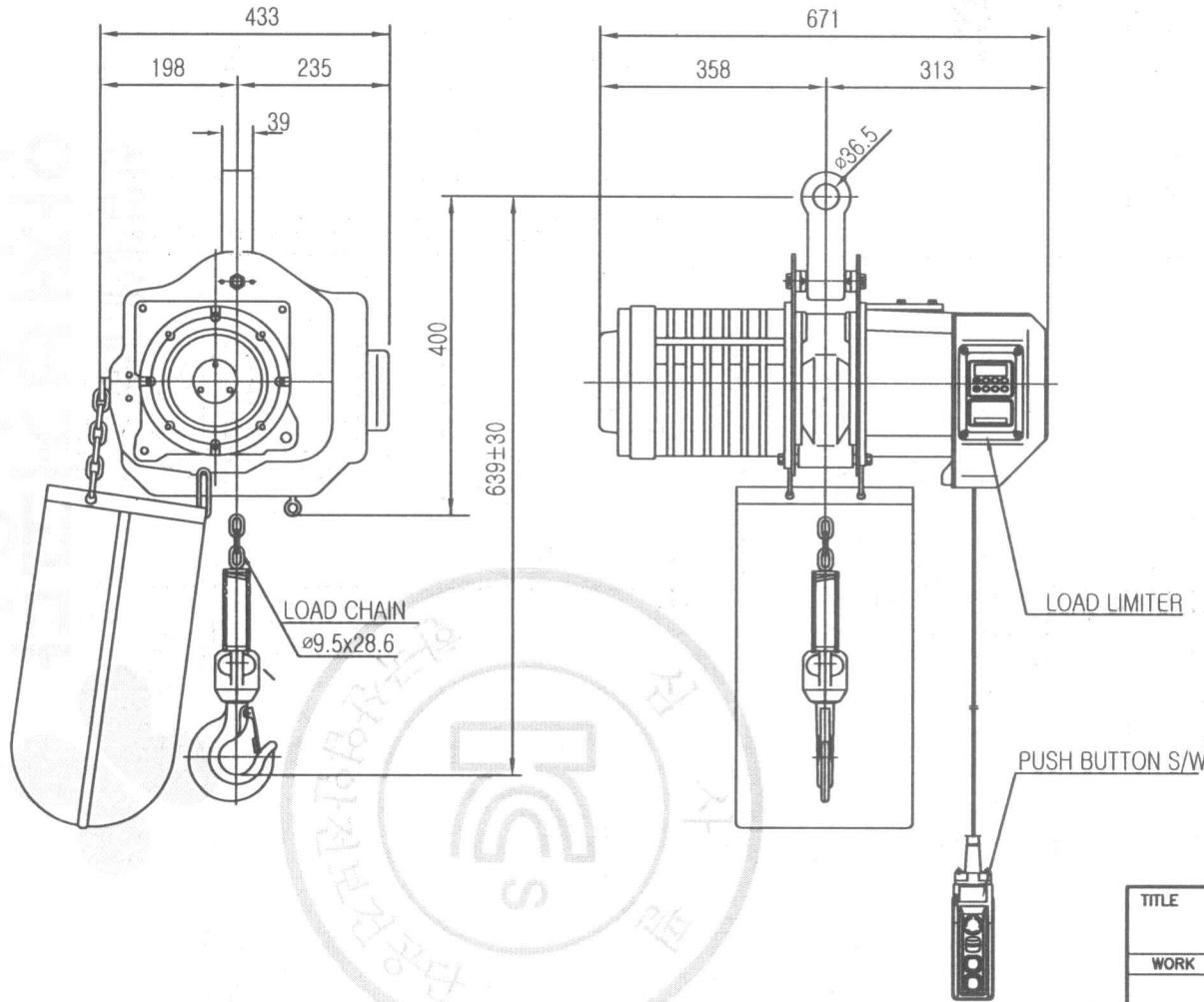
REV.NO	DATE	REVISION	DESCRIPTION	DRAWN	CHECKED	APPROVED

TITLE				PROJECTION	
DA-1.5S ELECTRIC CHAIN HOIST					
WORK NO	WORK NAME		SCALE	Q' TY	
	HOOK TYPE		N S	1	
DRAWN	CHECKED	REVIEWED	APPROVED	DRAWING NO	
김 창 기					
2010.07.27					

ON GMD

# L K HOIST

NO	DESCRIPTION	SIZE	MAT'L	Q'TY	WT (kg)	REMARKS



SPECIFICATION			
HOISTING LOAD	1.5	TON	
TESTING LOAD	1.875	TON	
LIFTING HEIGHT	50	M	
HOISTING	SPEED	10.3	M/MIN
	MOTOR	3.5	KW x 1 SET
TRAVERSING	SPEED	-	M/MIN
	MOTOR	-	KW x - SET
POWER SUPPLY	AC220,380,440,460,480V x 3ø x 60 Hz		
OPERATING METHOD	P.B type ON . FL		
LOAD CHAIN	ø9.5 x 28.6 (1 FALL)		
WIEGHT	215 KG		

NOTE)

- 1) 점검 설비를 갖출것.
- 2) 인허가 서류를 완성검사시 제출할것.

TITLE				PROJECTION		
DA-1.5S ELECTRIC CHAIN HOIST						
WORK NO	WORK NAME			SCALE	Q'TY	
	CONNECTOR TYPE			N S	1	
DRAWN	CHECKED	REVIEWED	APPROVED	DRAWING NO		
김창기						
2010.07.27						
L K HOIST CO., LTD.						

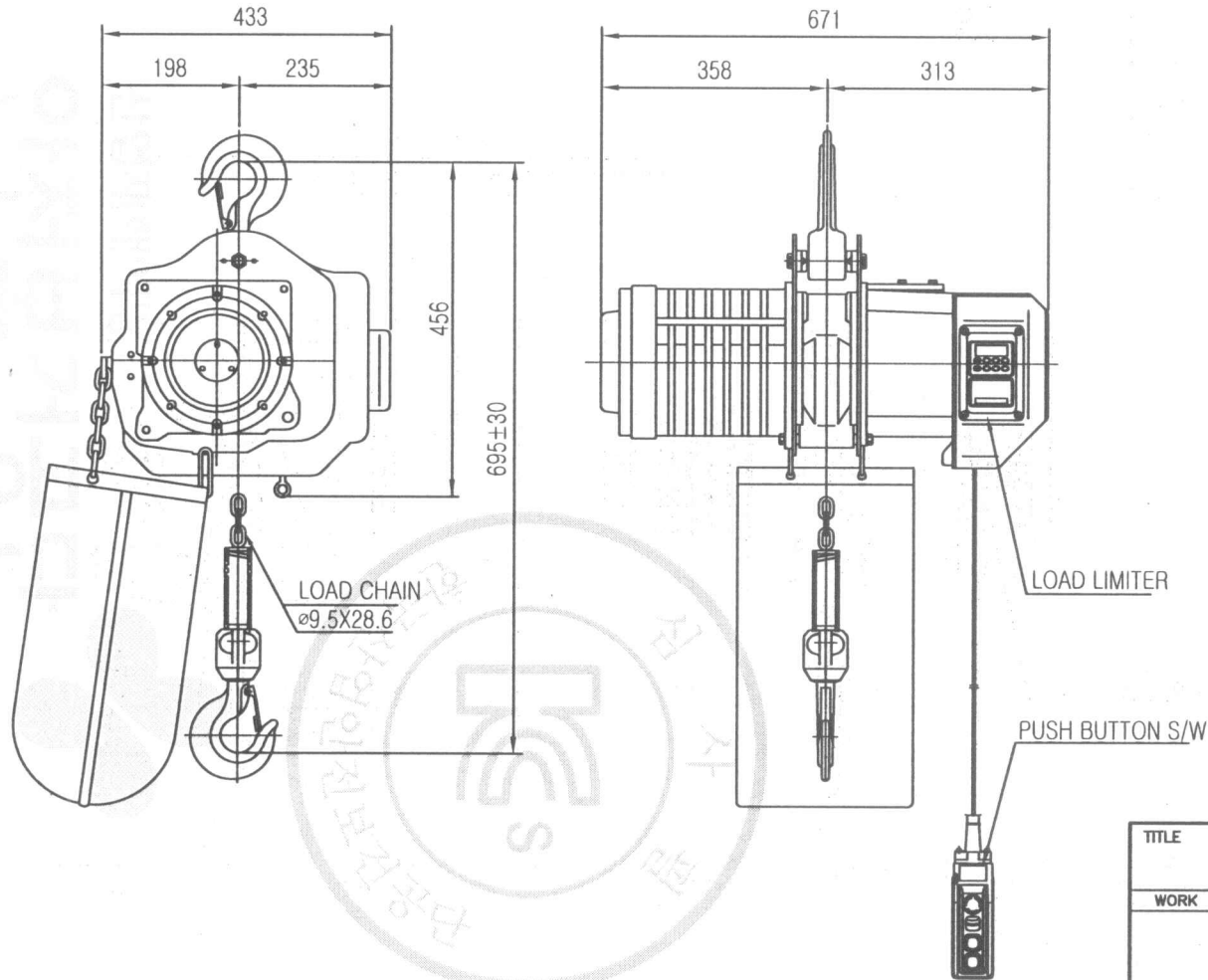
REV.NO	DATE	REVISION	DESCRIPTION	DRAWN	CHECKED	APPROVED

물범복지 및 배포금지

# L K HOIST

ON 9MG

NO	DESCRIPTION	SIZE	MAT' L	Q' TY	WT (kg)	REMARKS



SPECIFICATION	
HOISTING LOAD	1.5 TON
TESTING LOAD	1.875 TON
LIFTING HEIGHT	50 M
HOISTING	SPEED 10.3 M/MIN
	MOTOR 3.5 KW x 1 SET
TRAVERSING	SPEED - M/MIN
	MOTOR - KW x - SET
POWER SUPPLY	AC220,380,440,460,480V x 3ø x 60 Hz
OPERATING METHOD	P.B type ON . FL
LOAD CHAIN	ø9.5 x 28.6 (1 FALL)
WIEGHT	215 KG

**NOTE)**

- 1) 점검 설비를 갖출것.
- 2) 인허가 서류를 완성검사시 제출할것.

물범복제 및 배포금지

REV.NO	DATE	REVISION	DESCRIPTION	DRAWN	CHECKED	APPROVED

TITLE				PROJECTION		
DA-1.5S ELECTRIC CHAIN HOIST						
WORK NO	WORK NAME		SCALE	Q' TY		
	HOOK TYPE		N S	1		
DRAWN	CHECKED	REVIEWED	APPROVED	DRAWING NO		
김창기						
2010.07.27						
L K HOIST CO., LTD.						