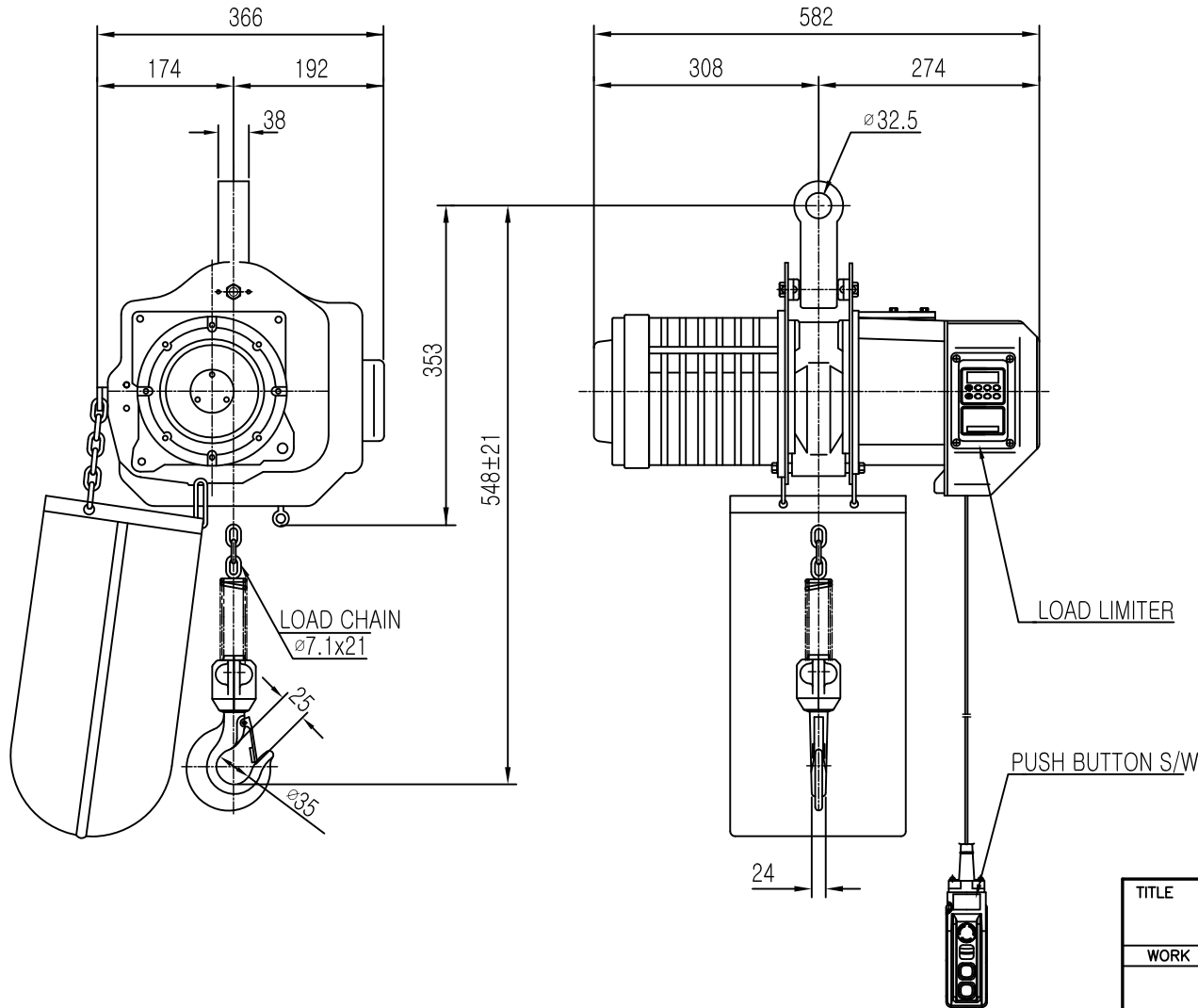


# L K HOIST

ON OMD

NO	DESCRIPTION	SIZE	MAT' L	Q' TY	WT (kg)	REMARKS



SPECIFICATION			
HOISTING LOAD	1.0	TON	
TESTING LOAD	1.25	TON	
LIFTING HEIGHT	50	M	
HOISTING	SPEED	8.2	M/MIN
	MOTOR	1.8	KW x 1 SET
TRAVERSING	SPEED	-	M/MIN
	MOTOR	-	KW x - SET
POWER SUPPLY	AC220,380,440,460,480Vx 3ø x 60 Hz		
OPERATING METHOD	P.B type ON . FL		
LOAD CHAIN	ø7.1 x 21 (1FALL)		
WIEGHT	125 KG		

**NOTE)**

- 1) 점검 설비를 갖출것.
- 2) 인허가 서류를 완성검사시 제출할것.

TITLE				PROJECTION	
DA-1S ELECTRIC CHAIN HOIST					
WORK NO	WORK NAME			SCALE	Q' TY
	CONNECTOR TYPE			N S	1
DRAWN	CHECKED	REVIEWED	APPROVED	DRAWING NO	
김창기					
2010.08.01					

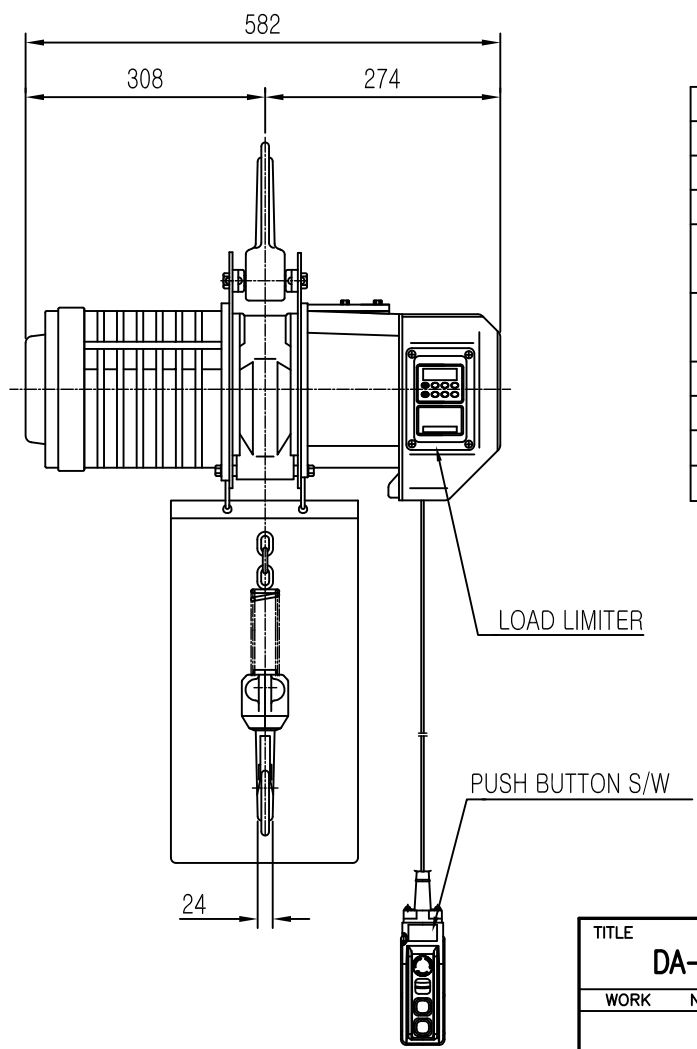
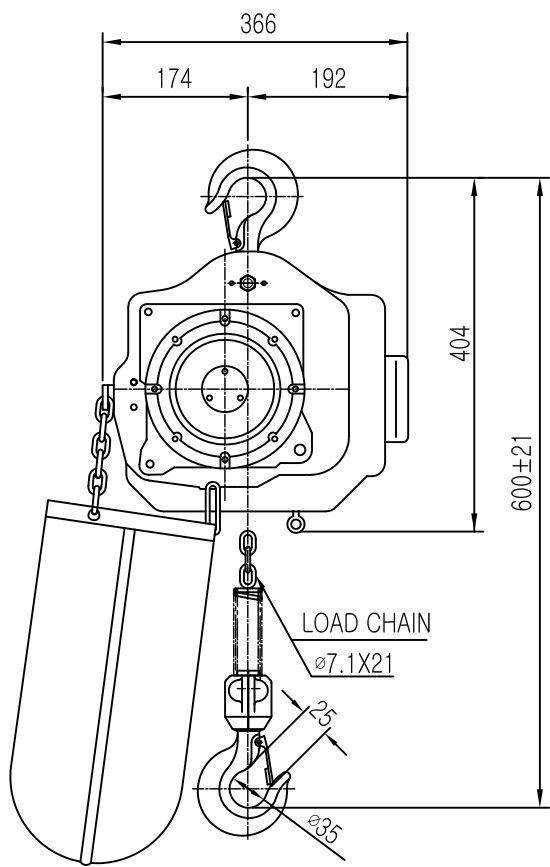
REV.NO	DATE	REVISION	DESCRIPTION	DRAWN	CHECKED	APPROVED

**LK L K HOIST CO., LTD.**

# L K HOIST

ON 3MG

NO	DESCRIPTION	SIZE	MAT' L	Q' TY	WT (kg)	REMARKS



SPECIFICATION			
HOISTING LOAD	1.0 TON		
TESTING LOAD	1.25 TON		
LIFTING HEIGHT	50 M		
HOISTING	SPEED	8.2 M/MIN	
	MOTOR	1.8 KW x 1 SET	
TRAVERSING	SPEED	- M/MIN	
	MOTOR	- KW x - SET	
POWER SUPPLY	AC220,380,440,460,480Vx 3ø x 60 Hz		
OPERATING METHOD	P.B type ON . FL		
LOAD CHAIN	ø7.1 x 21 (1FALL)		
WIEGHT	125 KG		

NOTE)  
 1) 점검 설비를 갖출것.  
 2) 인허가 서류를 완성검사시 제출할것.

TITLE					PROJECTION	
DA-1S ELECTRIC CHAIN HOIST						
WORK NO	WORK NAME				SCALE	Q' TY
	HOOK TYPE				N S	1
DRAWN	CHECKED	REVIEWED	APPROVED	DRAWING NO		
김 창 기						
2010.08.01						

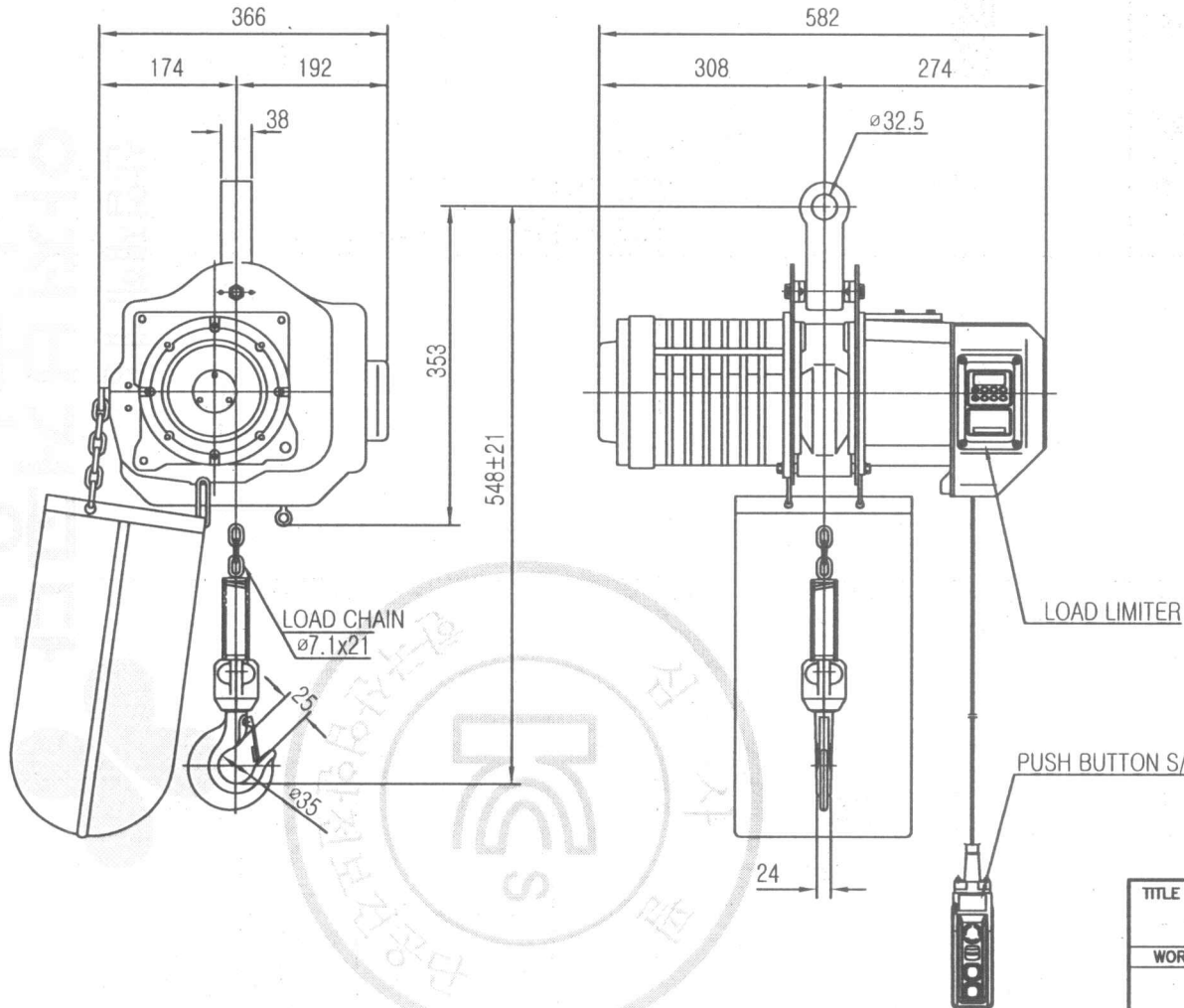
REV.NO	DATE	REVISION	DESCRIPTION	DRAWN	CHECKED	APPROVED

**LK** L K HOIST CO., LTD.

ON 5MG

# L K HOIST

NO	DESCRIPTION	SIZE	MAT'L	Q'TY	WT (kg)	REMARKS



SPECIFICATION		
HOISTING LOAD	1.0	TON
TESTING LOAD	1.25	TON
LIFTING HEIGHT	50	M
HOISTING	SPEED	8.2 M/MIN
	MOTOR	1.8 KW x 1 SET
TRAVERSING	SPEED	- M/MIN
	MOTOR	- KW x - SET
POWER SUPPLY	AC220,380,440,460,480Vx 3ø x 60 Hz	
OPERATING METHOD	P.B type ON . FL	
LOAD CHAIN	ø7.1 x 21 (1FALL)	
WIEGHT	125 KG	

**NOTE)**

- 1) 점검 설비를 갖출것.
- 2) 인허가 서류를 완성검사시 제출할것.

별첨 별지 및 배포금지

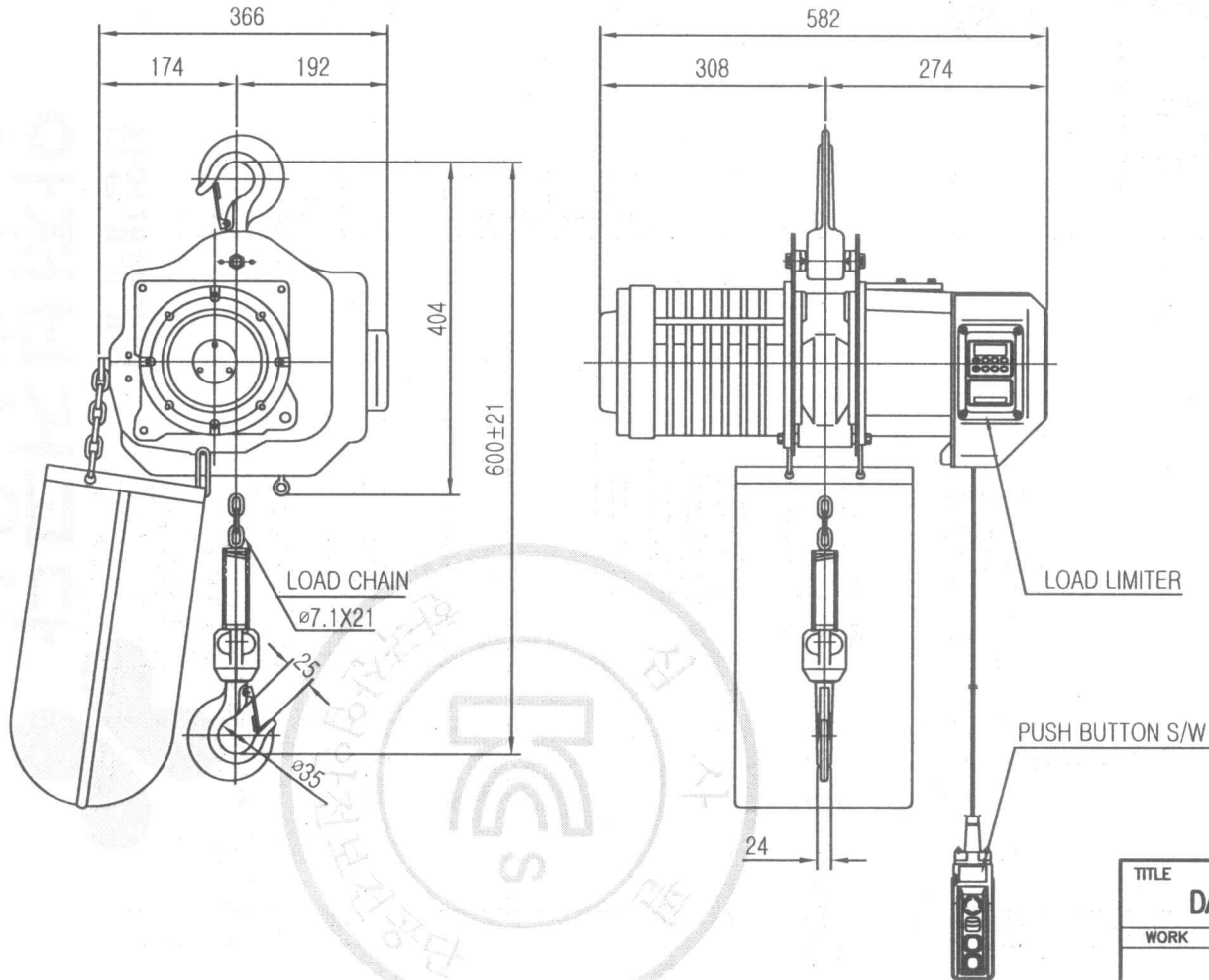
REV.NO	DATE	REVISION	DESCRIPTION	DRAWN	CHECKED	APPROVED

TITLE				PROJECTION	
DA-1S ELECTRIC CHAIN HOIST					
WORK NO	WORK NAME			SCALE	Q'TY
	CONNECTOR TYPE			N S	1
DRAWN	CHECKED	REVIEWED	APPROVED	DRAWING NO	
김창기					
2010.08.01					
L K HOIST CO., LTD.					

ON 5MD

# L K HOIST

NO	DESCRIPTION	SIZE	MAT'L	Q'TY	WT (kg)	REMARKS



SPECIFICATION	
HOISTING LOAD	1.0 TON
TESTING LOAD	1.25 TON
LIFTING HEIGHT	50 M
HOISTING	SPEED 8.2 M/MIN
	MOTOR 1.8 KW x 1 SET
TRAVERSING	SPEED - M/MIN
	MOTOR - KW x - SET
POWER SUPPLY	AC220,380,440,460,480Vx 3ø x 60 Hz
OPERATING METHOD	P.B type ON . FL
LOAD CHAIN	ø7.1 x 21 (1FALL)
WIEGHT	125 KG

**NOTE)**

- 1) 점검 설비를 갖출것.
- 2) 인허가 서류를 완성검사시 제출할것.

물범복제 및 배포금지

REV.NO	DATE	REVISION DESCRIPTION	DRAWN	CHECKED	APPROVED

TITLE				PROJECTION	
DA-1S ELECTRIC CHAIN HOIST					
WORK NO	WORK NAME			SCALE	Q'TY
	HOOK TYPE			N S	1
DRAWN	CHECKED	REVIEWED	APPROVED	DRAWING NO	
김창기					
2010.08.01					
L K HOIST CO., LTD.					