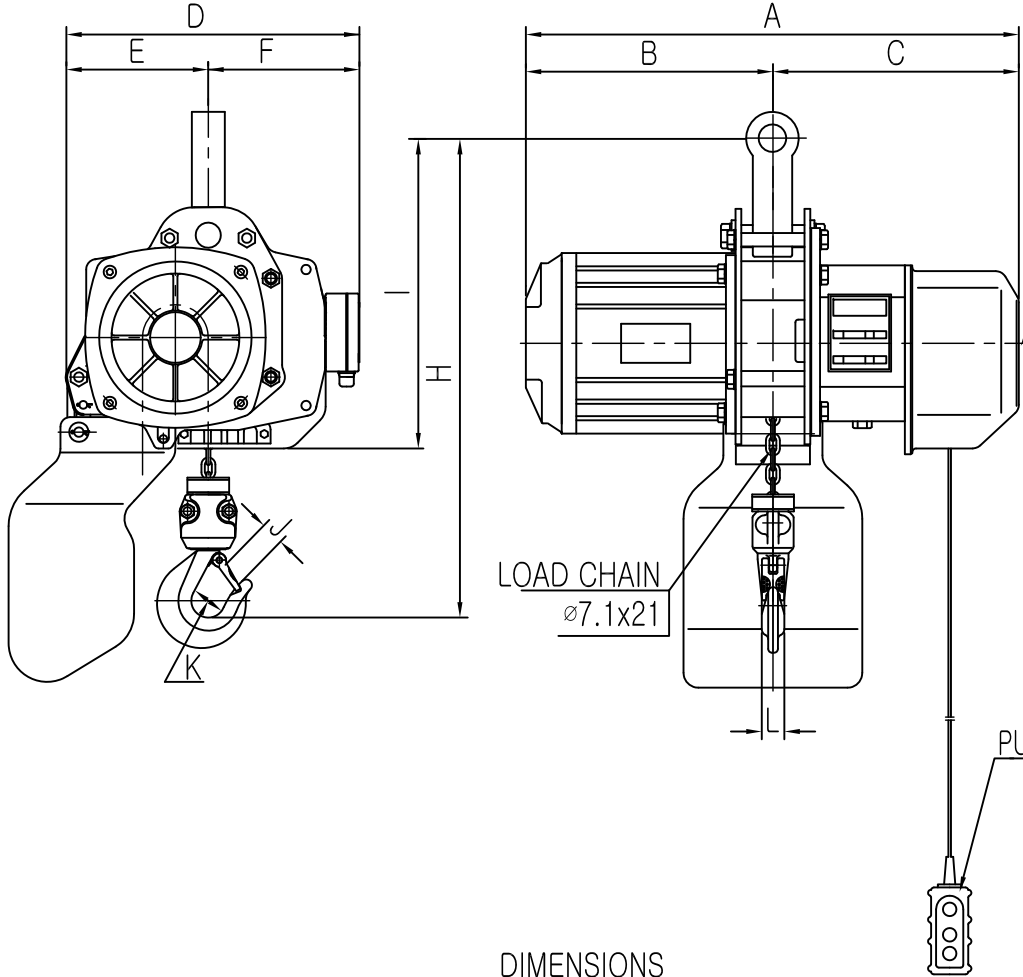


ON 9MG

L K HOIST

NO	DESCRIPTION	SIZE	MAT' L	Q' TY	WT (kg)	REMARKS

제조일 : 0000-00-00
 형식번호 : 00-000-00
 정격하중 : 00-000-00
 제조자 : (주)LK



SPECIFICATION

		LT-1S	
RATED LOAD	(TON)	1.0	
TESTING LOAD	(TON)	1.25	
LIFTING HEIGHT	(M)	50	
HOISTING	SPEED (M/MIN)	8.2	5.4
	MOTOR (KW)	1.8 x 4p	1.2 x 6p
WEIGHT	(KG)	106	
POWER SUPPLY	AC220.380.440.460.480V x3ø x 60 Hz		
OPERATING METHOD	P.B type ON . FL		
LOAD CHAIN	ø7.1 X 21 (1FALL)		

NOTE)

- 1)점검 설비를 갖출 것
- 2)인허가 서류를 완성검사시 제출 할 것

DIMENSIONS

MODEL	CAPACITY (ton)	A	B	C	D	E	F	H	I	J	K	L
LT-1S	1	535	262	273	336	145	191	410	326	25	35	24

TITLE				PROJECTION	
CHAIN HOIST LT-1S					
WORK NO	WORK NAME			SCALE	Q' TY
	CONNECTOR TYPE			N S	1
DRAWN	CHECKED	REVIEWED	APPROVED	DRAWING NO	
김 창 기					
2010.07.15					
L K HOIST CO., LTD.					

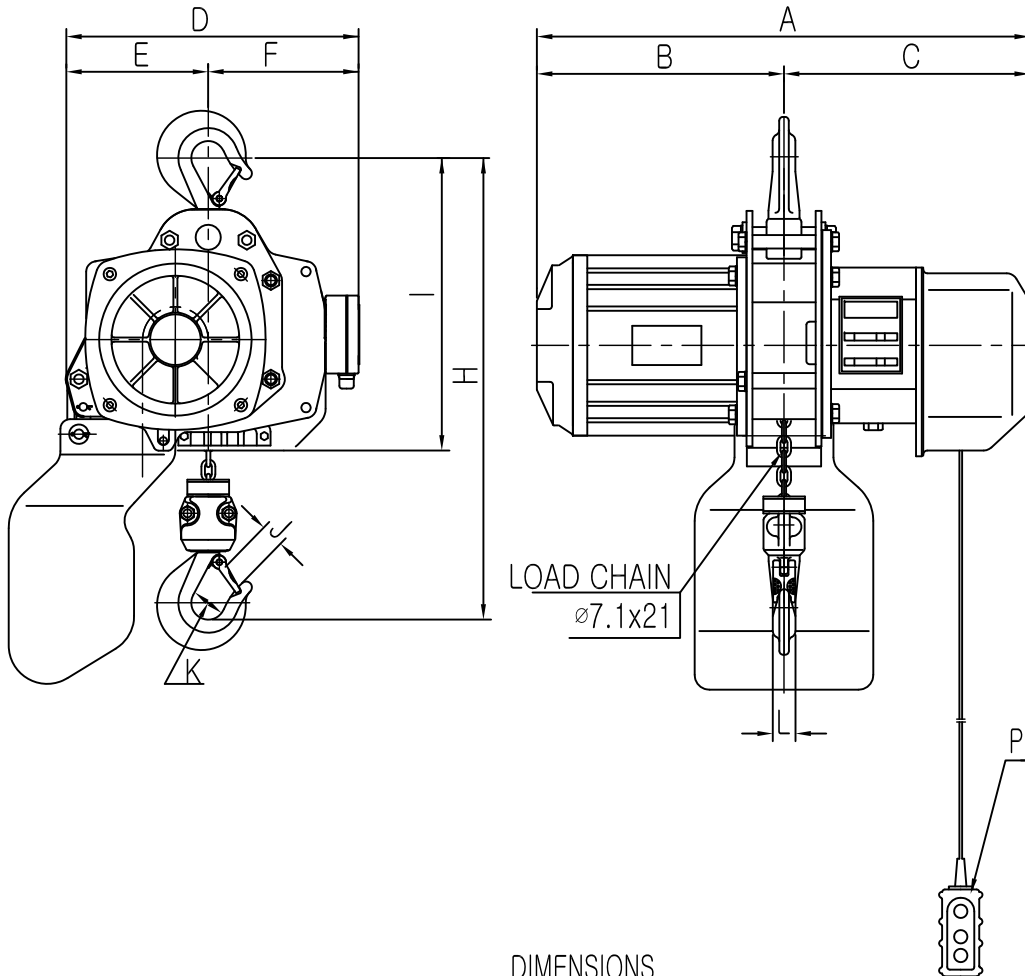
REV.NO	DATE	REVISION	DESCRIPTION	DRAWN	CHECKED	APPROVED

ON 9MG

L K HOIST

NO	DESCRIPTION	SIZE	MAT' L	Q' TY	WT (kg)	REMARKS

제조일 : 0000-00-00
 형식번호 : 00-000-00
 정격하중 : 00-000-00
 제조자 : (주)LK



SPECIFICATION

		LT-1S	
RATED LOAD	(TON)	1.0	
TESTING LOAD	(TON)	1.25	
LIFTING HEIGHT	(M)	50	
HOISTING	SPEED (M/MIN)	8.2	5.4
	MOTOR (KW)	1.8 x 4p	1.2 x 6p
WEIGHT	(KG)	106	
POWER SUPPLY		AC220.380.440.460,480V x3ø x 60 Hz	
OPERATING METHOD		P.B type ON . FL	
LOAD CHAIN		ø7.1 X 21 (1FALL)	

NOTE)

- 1)점검 설비를 갖출 것
- 2)인허가 서류를 완성검사시 제출 할 것

DIMENSIONS

MODEL	CAPACITY (ton)	A	B	C	D	E	F	H	I	J	K	L
LT-1S	1	535	262	273	336	145	191	410	326	25	35	24

TITLE				PROJECTION	
CHAIN HOIST LT-1S					
WORK NO	WORK NAME			SCALE	Q' TY
	HOOK TYPE			N S	1
DRAWN	CHECKED	REVIEWED	APPROVED	DRAWING NO	
김창기					
2010.07.15					

REV.NO	DATE	REVISION DESCRIPTION	DRAWN	CHECKED	APPROVED



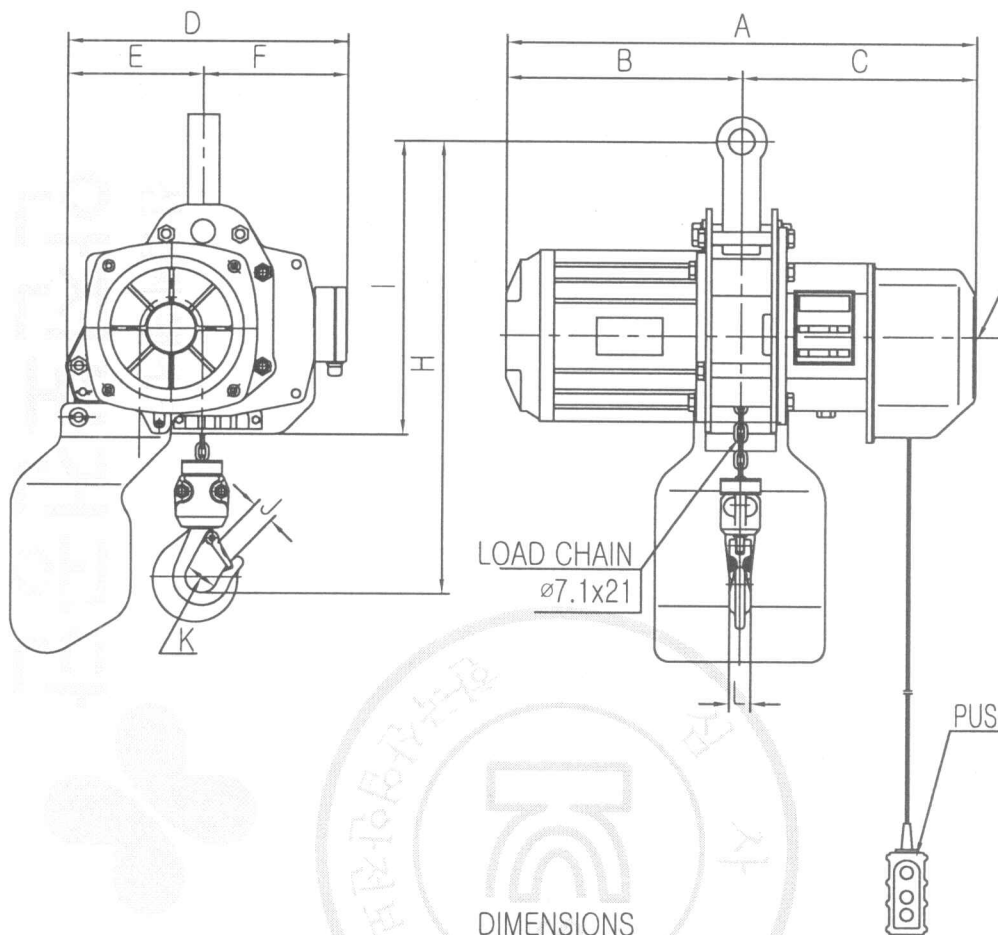
L K HOIST CO., LTD.

ON GMD

L K HOIST

NO	DESCRIPTION	SIZE	MAT'L	Q'TY	WT (kg)	REMARKS

제조일 : 0000-00-00
 형식번호 : 00-000-00
 정격하중 : 00-000-00
 제조자 : (주)LK



SPECIFICATION

		LT-1S	
RATED LOAD	(TON)	1.0	
TESTING LOAD	(TON)	1.25	
LIFTING HEIGHT	(M)	50	
HOISTING	SPEED (M/MIN)	8.2	5.4
	MOTOR (KW)	1.8 x 4p	1.2 x 6p
WEIGHT	(KG)	106	
POWER SUPPLY	AC220.380.440.460.480V x3ø x 60 Hz		
OPERATING METHOD	P.B type ON . FL		
LOAD CHAIN	ø7.1 X 21 (1FALL)		

NOTE)

- 1)점검 설비를 갖출 것
- 2)인허가 서류를 완성검사시 제출 할 것

MODEL	CAPACITY (ton)	A	B	C	D	E	F	H	I	J	K	L
LT-1S	1	535	262	273	336	145	191	410	326	25	35	24

REV.NO	DATE	REVISION	DESCRIPTION	DRAWN	CHECKED	APPROVED

TITLE				PROJECTION	
CHAIN HOIST LT-1S					
WORK NO	WORK NAME			SCALE	Q'TY
	CONNECTOR TYPE			N S	1
DRAWN	CHECKED	REVIEWED	APPROVED	DRAWING NO	
김 창 기					
2010.07.15					

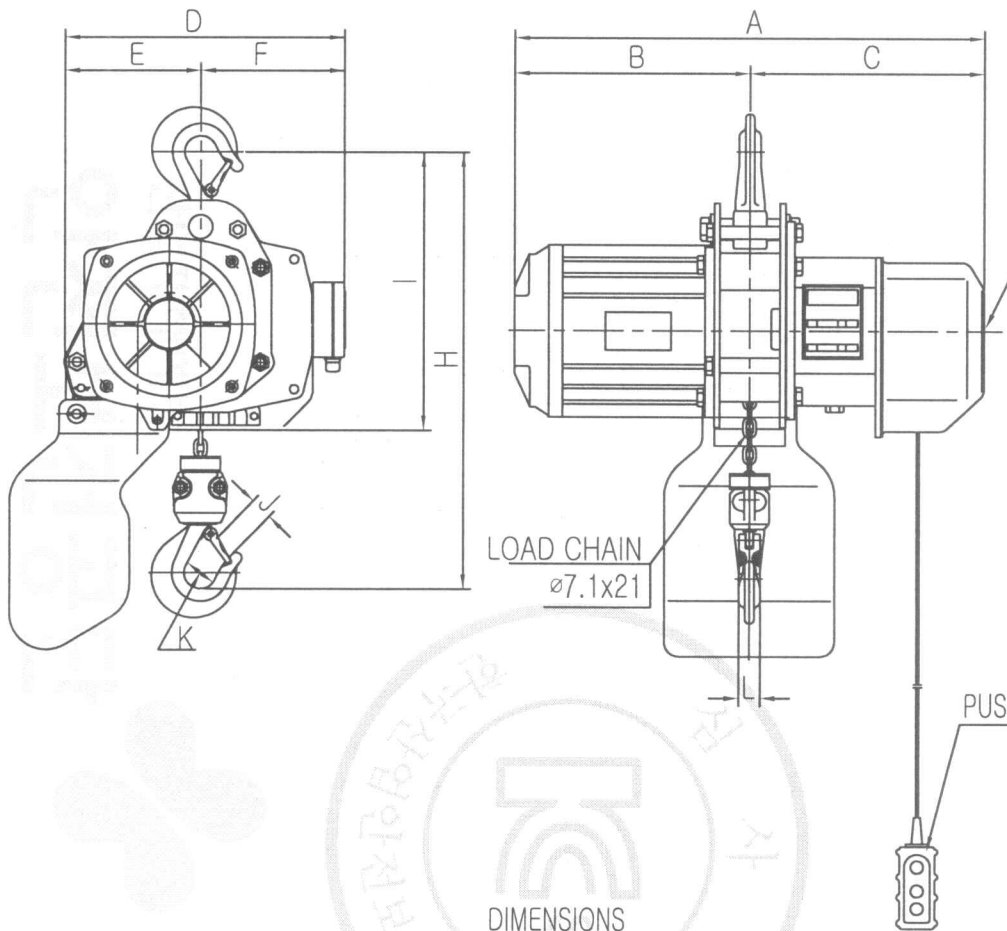
물범북제 및 배포금지

ON 5MG

L K HOIST

NO	DESCRIPTION	SIZE	MAT L	Q' TY	WT (kg)	REMARKS

제조일 : 0000-00-00
 형식번호 : 00-000-00
 정격하중 : 00-000-00
 제조자 : (주)LK



SPECIFICATION

		LT-1S	
RATED LOAD	(TON)	1.0	
TESTING LOAD	(TON)	1.25	
LIFTING HEIGHT	(M)	50	
HOISTING	SPEED (M/MIN)	8.2	5.4
	MOTOR (KW)	1.8 x 4p	1.2 x 6p
WEIGHT	(KG)	106	
POWER SUPPLY		AC220.380.440.460.480V x3ø x 60 Hz	
OPERATING METHOD		P.B type ON . FL	
LOAD CHAIN		ø7.1 X 21 (1FALL)	

PUSH BUTTON 2POINT

NOTE)

- 1)점검 설비를 갖출 것
- 2)인허가 서류를 완성검사시 제출 할 것

DIMENSIONS

MODEL	CAPACITY (ton)	A	B	C	D	E	F	H	I	J	K	L
LT-1S	1	535	262	273	336	145	191	410	326	25	35	24

TITLE					PROJECTION	
CHAIN HOIST LT-1S						
WORK NO	WORK NAME				SCALE	Q' TY
	HOOK TYPE				N S	1
DRAWN	CHECKED	REVIEWED	APPROVED	DRAWING NO		
김창기						
2010.07.15						

REV.NO	DATE	REVISION	DESCRIPTION	DRAWN	CHECKED	APPROVED

물범복제 및 배포금지