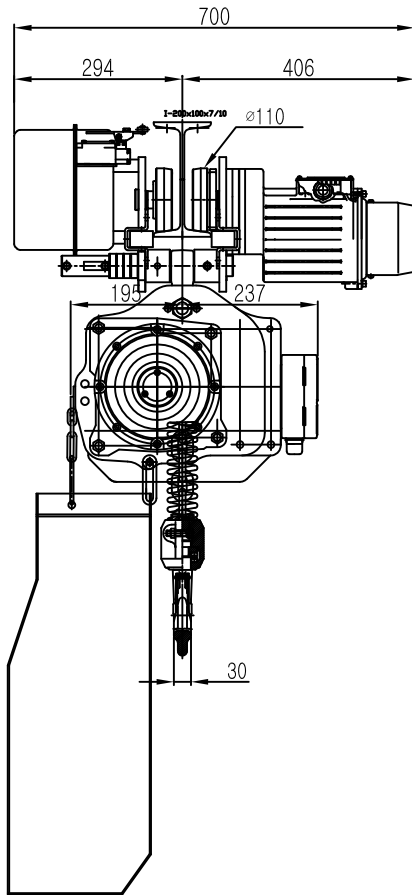


L K HOIST

NO	DESCRIPTION	MAT' L	Q' TY	WT (kg)	REMARKS

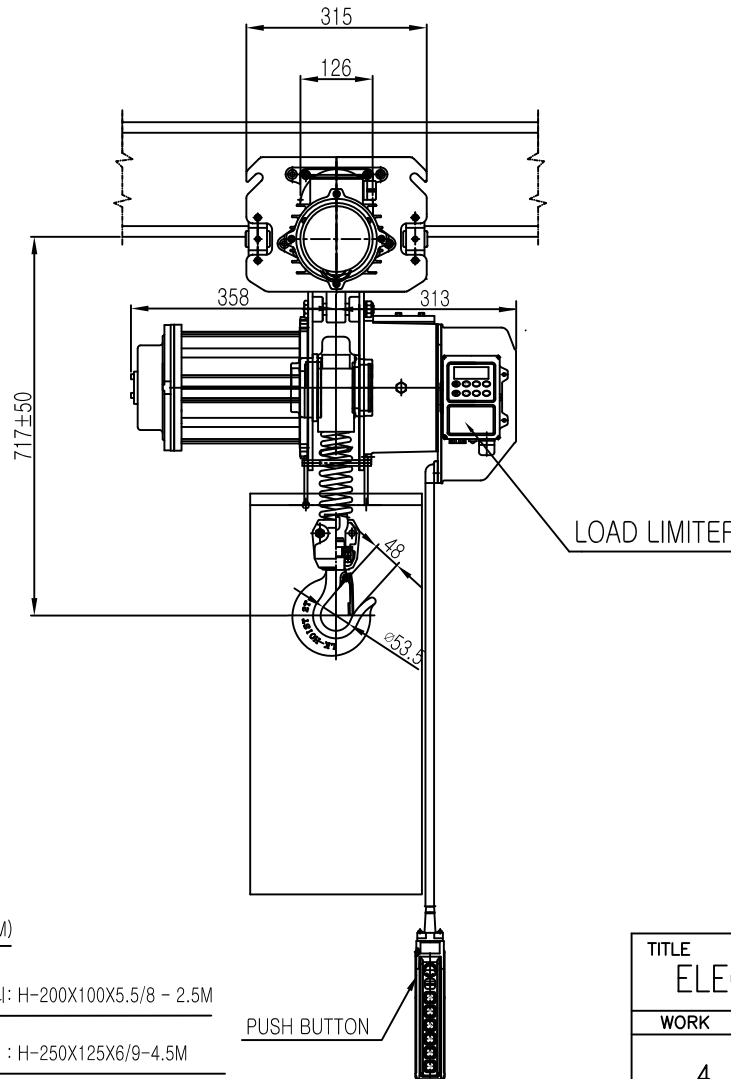
SPECIFICATION

		LK-EDAM-1.9S	
RATED LOAD	(TON)	1.9	
TESTING LOAD	(TON)	2.375	
LIFTING HEIGHT	(M)	50	
HOISTING	SPEED (M/MIN)	0.81 ~ 8.1	
	MOTOR (KW)	3.5kw x 4p	
TRAVERSING	SPEED (M/MIN)	2.1 ~ 21	1.4 ~ 14
	MOTOR (KW)	0.75kw x 4p	0.4kw x 6p
POWER SUPPLY	AC220.380.440.460.480Vx3ø x 60 Hz		
OPERATING METHOD	P.B type ON . FL		
LOAD CHAIN	ø11.2 X 34(1FALL)		
WEIGHT	(KG)	300KG	
I-BEAM 적용폭	100 ~ 190MM		
H-BEAM 적용폭	100 ~ 200MM		



적용 I-BEAM)

- 1) 지점간 거리: I-200X100X7/10 - 3.0M
- 2) 지점간거리 : I-250X125X7.5/12.5-5.0M
- 3) 지점간거리 : I-300X150X10/18.5-7.5M
- 4) 지점간거리 : I-450X175X13/26-12M
- 5) 지점간거리 : I-600X190X13/25-15M



적용 H-BEAM)

- 1) 지점간 거리: H-200X100X5.5/8 - 2.5M
- 2) 지점간거리 : H-250X125X6/9-4.5M
- 3) 지점간거리 : H-300X150X6.5/9-6.0M
- 4) 지점간거리 : H-450X200X9/14-11.5M
- 5) 지점간거리 : H-600X200X11/17-15M

NOTE)

- 1)점검 설비를 갖출 것
- 2)인허가 서류를 완성검사시 제출 할 것

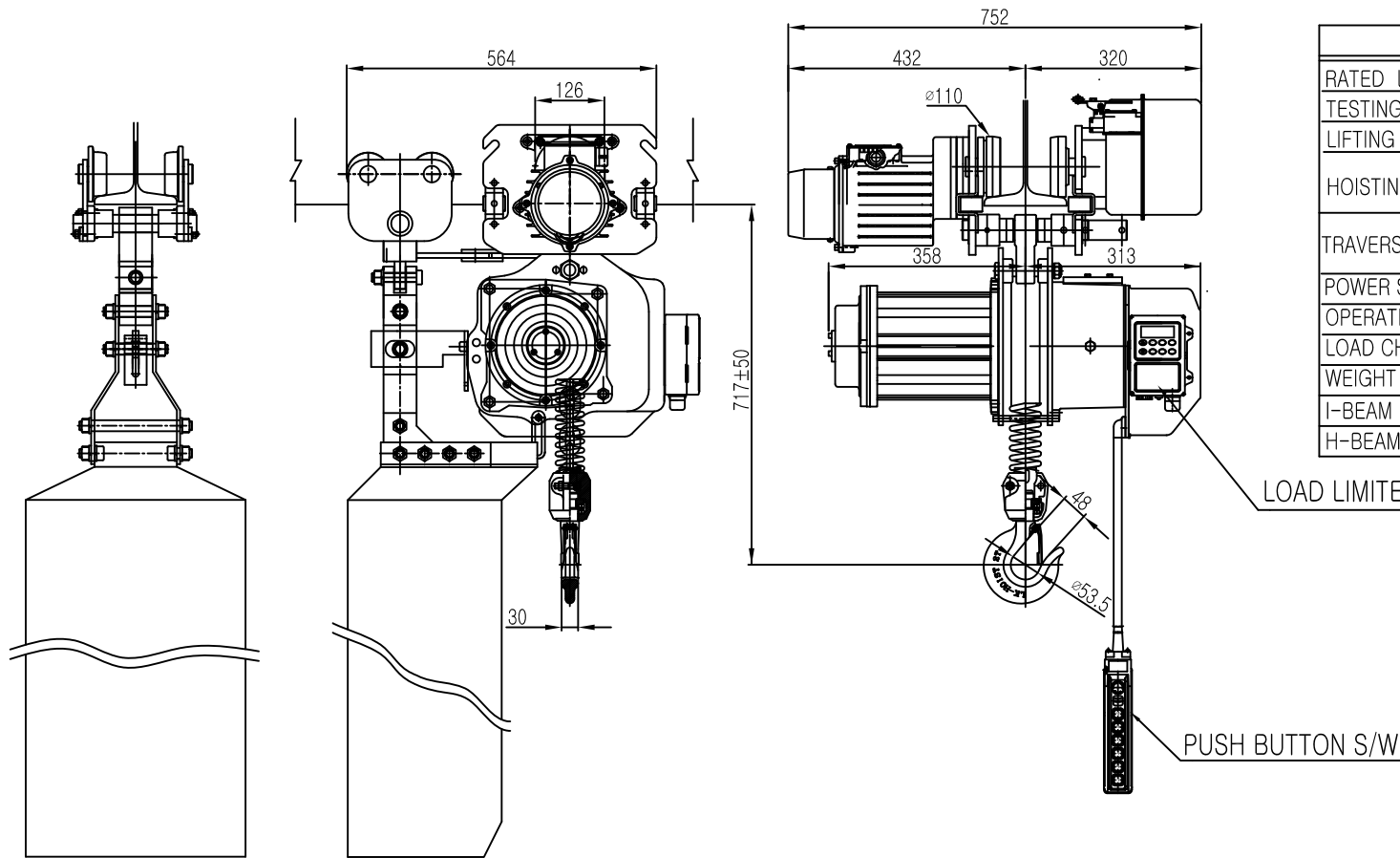
TITLE					PROJECTION	
ELECTRIC CHAIN HOIST LK-EDAM-1.9S						
WORK NO	WORK NAME				SCALE	Q' TY
4	LK-EDAM-1.9S				1/1	1
DRAWN	CHECKED	REVIEWED	APPROVED	DRAWING NO		
김창기						
2013.11.05				CODE NO		
L K HOIST CO., LTD.						

L K HOIST

NO	DESCRIPTION	MAT' L	Q' TY	WT (kg)	REMARKS

SPECIFICATION

		LK-EDAM-1.9S	
RATED LOAD (TON)		1.9	
TESTING LOAD (TON)		2.375	
LIFTING HEIGHT (M)		50	
HOISTING	SPEED (M/MIN)	0.81 ~ 8.1	
	MOTOR (KW)	3.5kw x 4p	
TRAVERSING	SPEED (M/MIN)	2.1 ~ 21	1.4 ~ 14
	MOTOR (KW)	0.75kw x 4p	0.4kw x 6p
POWER SUPPLY		AC220.380.440.460.480Vx3ø x 60 Hz	
OPERATING METHOD		P.B type ON . FL	
LOAD CHAIN		ø11.2 X 34(1FALL)	
WEIGHT (KG)		300KG	
I-BEAM 적용폭		100 ~ 190MM	
H-BEAM 적용폭		100 ~ 200MM	



적용 I-BEAM)

- 1) 지점간 거리 : I-200X100X7/10 - 3.0M
- 2) 지점간거리 : I-250X125X7.5/12.5-5.0M
- 3) 지점간거리 : I-300X150X10/18.5-7.5M
- 4) 지점간거리 : I-450X175X13/26-12M
- 5) 지점간거리 : I-600X190X13/25-15M

적용 H-BEAM)

- 1) 지점간 거리 : H-200X100X5.5/8 - 2.5M
- 2) 지점간거리 : H-250X125X6/9-4.5M
- 3) 지점간거리 : H-300X150X6.5/9-6.0M
- 4) 지점간거리 : H-450X200X9/14-11.5M
- 5) 지점간거리 : H-600X200X11/17-15M

NOTE)

- 1) 점검 설비를 갖출 것
- 2) 인허가 서류를 완성검사시 제출 할 것

TITLE					PROJECTION	
ELECTRIC CHAIN HOIST LK-EDAM-1.9S						
WORK NO	WORK NAME				SCALE	Q' TY
4	LK-EDAM-1.9S				1/1	1
DRAWN	CHECKED	REVIEWED	APPROVED	DRAWING NO		
김 창 기						
2013.11.05				CODE NO		



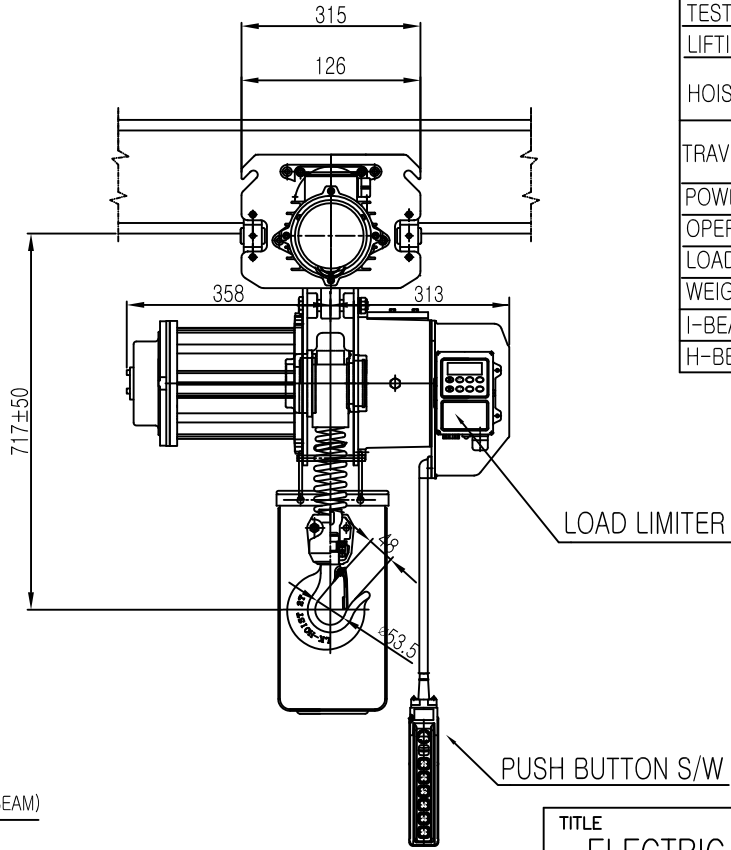
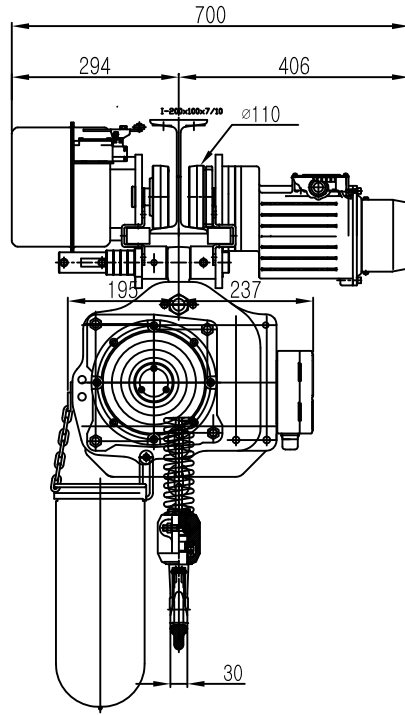
L K HOIST CO., LTD.

L K HOIST

NO	DESCRIPTION	MAT' L	Q' TY	WT (kg)	REMARKS

SPECIFICATION

		LK-EDAM-1.9S	
RATED LOAD	(TON)	1.9	
TESTING LOAD	(TON)	2.375	
LIFTING HEIGHT	(M)	50	
HOISTING	SPEED (M/MIN)	0.81 ~ 8.1	
	MOTOR (KW)	3.5kw x 4p	
TRAVERSING	SPEED (M/MIN)	2.1 ~ 21	1.4 ~ 14
	MOTOR (KW)	0.75kw x 4p	0.4kw x 6p
POWER SUPPLY	AC220.380.440.460.480Vx3φ x 60 Hz		
OPERATING METHOD	P.B type ON . FL		
LOAD CHAIN	φ11.2 X 34(1FALL)		
WEIGHT	(KG)	300KG	
I-BEAM 적용폭		100 ~ 190MM	
H-BEAM 적용폭		100 ~ 200MM	



NOTE)

- 1) 점검 설비를 갖출 것
- 2) 인허가 서류를 완성검사시 제출 할 것

적용 I-BEAM)

- 1) 지점간 거리 : I-200X100X7/10 - 3.0M
- 2) 지점간거리 : I-250X125X7.5/12.5-5.0M
- 3) 지점간거리 : I-300X150X10/18.5-7.5M
- 4) 지점간거리 : I-450X175X13/26-12M
- 5) 지점간거리 : I-600X190X13/25-15M

적용 H-BEAM)

- 1) 지점간 거리 : H-200X100X5.5/8 - 2.5M
- 2) 지점간거리 : H-250X125X6/9-4.5M
- 3) 지점간거리 : H-300X150X6.5/9-6.0M
- 4) 지점간거리 : H-450X200X9/14-11.5M
- 5) 지점간거리 : H-600X200X11/17-15M

TITLE					PROJECTION	
ELECTRIC CHAIN HOIST LK-EDAM-1.9S						
WORK NO	WORK NAME				SCALE	Q' TY
4	LK-EDAM-1.9S				1/1	1
DRAWN	CHECKED	REVIEWED	APPROVED	DRAWING NO		
김 창 기						
2013.11.05				CODE NO		
L K HOIST CO., LTD.						