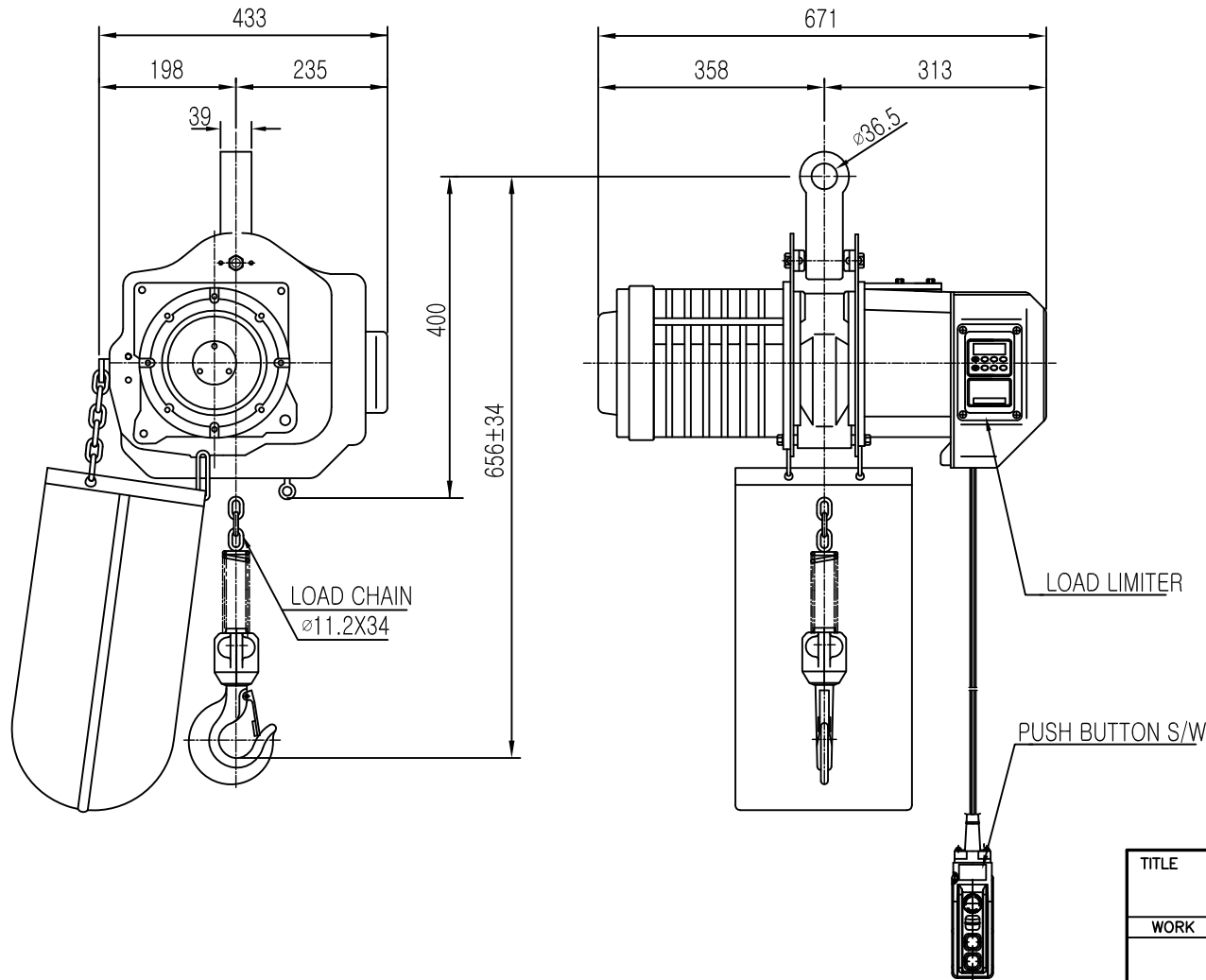


L K HOIST

ON GMD

NO	DESCRIPTION	SIZE	MAT' L	Q' TY	WT (kg)	REMARKS



SPECIFICATION		
RATED LOAD	2.5	TON
TESTING LOAD	3.125	TON
LIFTING HEIGHT	50	M
HOISTING	SPEED	6.5 M/MIN
	MOTOR	3.5 KW x 1 SET
TRAVERSING	SPEED	- M/MIN
	MOTOR	- KW x - SET
POWER SUPPLY	AC220,380,440,460,480V x 3øx60Hz	
OPERATING METHOD	P.B type ON . FL	
LOAD CHAIN	ø11.2 x 34 (1 FALL)	
WIEGHT	253 KG	

NOTE)

- 1) 점검 설비를 갖출것.
- 2) 인허가 서류를 완성검사시 제출할것.

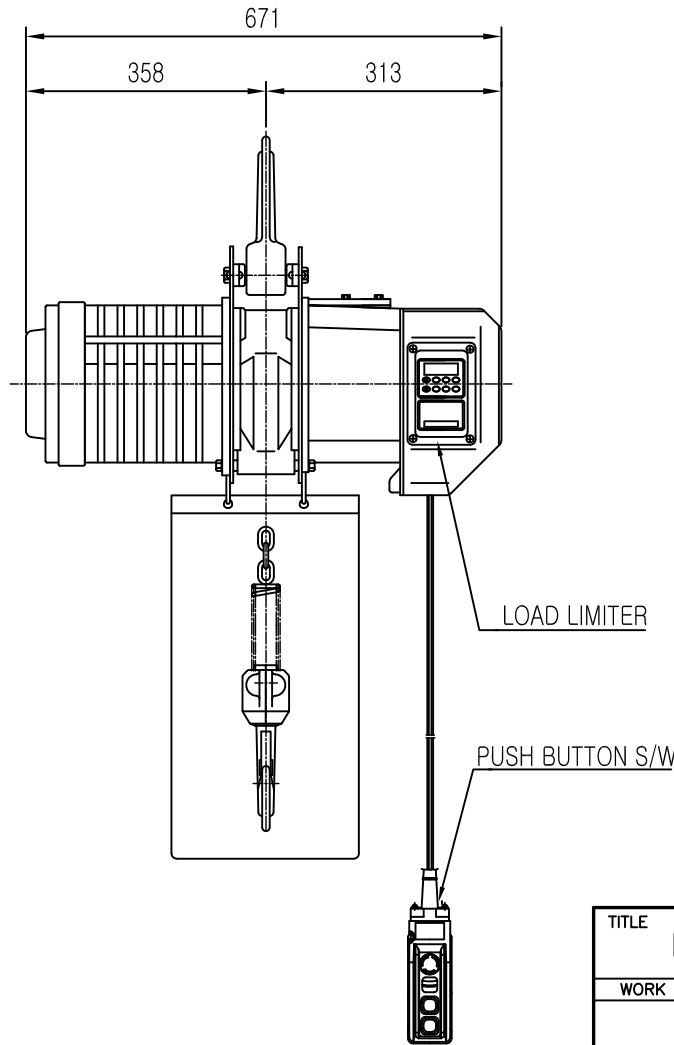
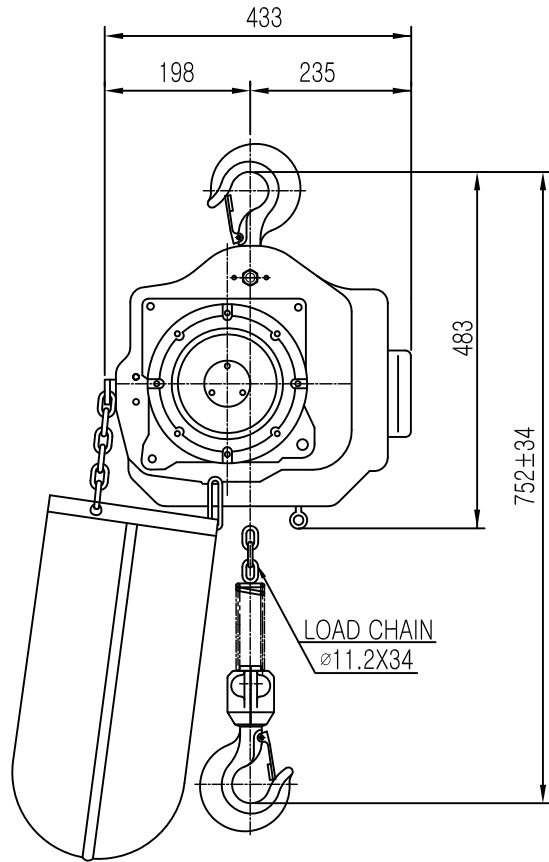
TITLE				PROJECTION	
DA-2.5S ELECTRIC CHAIN HOIST					
WORK NO	WORK NAME			SCALE	Q' TY
	CONNECTOR TYPE			N S	1
DRAWN	CHECKED	REVIEWED	APPROVED	DRAWING NO	
김 창 기					
2010.07.27					

REV.NO	DATE	REVISION	DESCRIPTION	DRAWN	CHECKED	APPROVED

L K HOIST

ON GMD

NO	DESCRIPTION	SIZE	MAT'L	Q'TY	WT (kg)	REMARKS



SPECIFICATION			
RATED LOAD	2.5	TON	
TESTING LOAD	3.125	TON	
LIFTING HEIGHT	50	M	
HOISTING	SPEED	6.5	M/MIN
	MOTOR	3.5	KW x 1 SET
TRAVERSING	SPEED	-	M/MIN
	MOTOR	-	KW x - SET
POWER SUPPLY	AC220,380,440,460,480Vx 3øx60Hz		
OPERATING METHOD	P.B type ON . FL		
LOAD CHAIN	ø11.2 x 34 (1 FALL)		
WIEGHT	253 KG		

NOTE)

- 1) 점검 설비를 갖출것.
- 2) 인허가 서류를 완성검사시 제출할것.

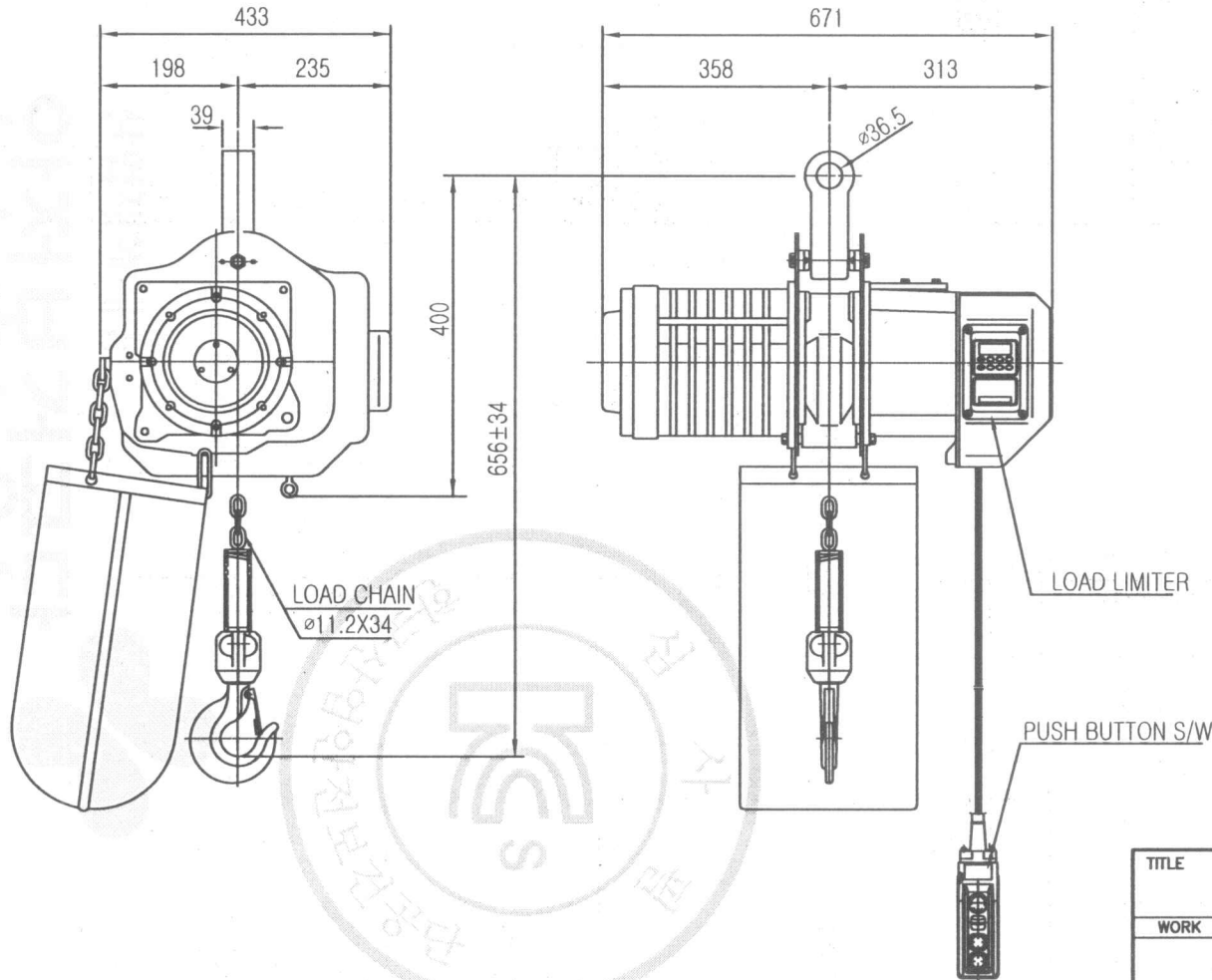
REV.NO	DATE	REVISION	DESCRIPTION	DRAWN	CHECKED	APPROVED

TITLE				PROJECTION		
DA-2.5S ELECTRIC CHAIN HOIST						
WORK NO	WORK NAME			SCALE	Q' TY	
	HOOK TYPE			N S	1	
DRAWN	CHECKED	REVIEWED	APPROVED	DRAWING NO		
김창기						
2010.07.27						

L K HOIST

ON GMD

NO	DESCRIPTION	SIZE	MAT L	Q' TY	WT (kg)	REMARKS



SPECIFICATION		
RATED LOAD	2.5	TON
TESTING LOAD	3.125	TON
LIFTING HEIGHT	50	M
HOISTING	SPEED	6.5 M/MIN
	MOTOR	3.5 KW x 1 SET
TRAVERSING	SPEED	- M/MIN
	MOTOR	- KW x - SET
POWER SUPPLY	AC220,380,440,460,480V x 3øx60Hz	
OPERATING METHOD	P.B type ON . FL	
LOAD CHAIN	ø11.2 x 34 (1 FALL)	
WIEGHT	253 KG	

NOTE)

- 1) 점검 설비를 갖출것.
- 2) 인허가 서류를 완성검사시 제출할것.

물범복제 및 배포금지

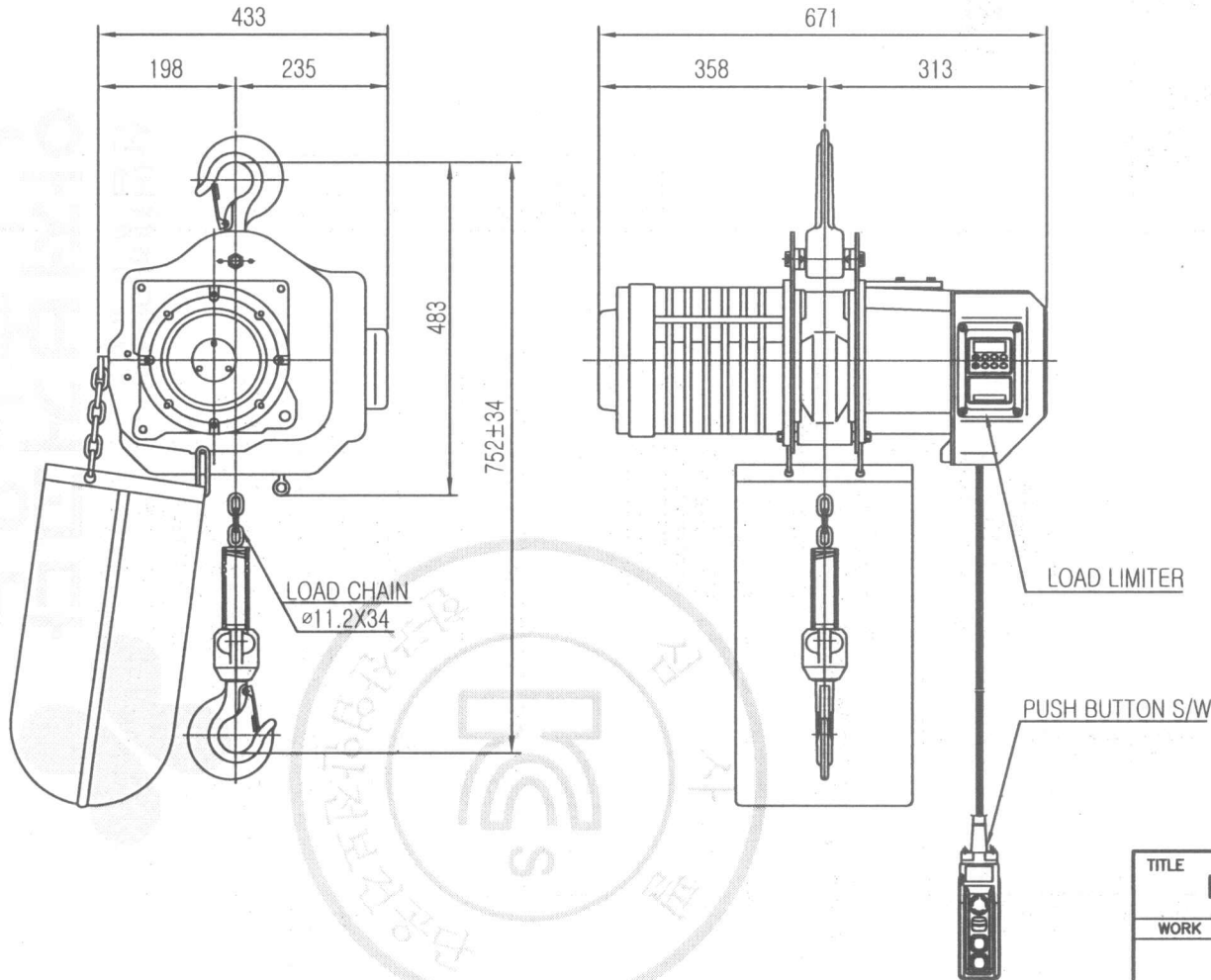
TITLE					PROJECTION		
DA-2.5S ELECTRIC CHAIN HOIST							
WORK NO	WORK NAME				SCALE	Q' TY	
	CONNECTOR TYPE				N S	1	
DRAWN	CHECKED	REVIEWED	APPROVED	DRAWING NO			
김창기							
2010.07.27							
L K HOIST CO., LTD.							

REV.NO	DATE	REVISION	DESCRIPTION	DRAWN	CHECKED	APPROVED

ON 9MD

L K HOIST

NO	DESCRIPTION	SIZE	MAT' L	Q' TY	WT (kg)	REMARKS



SPECIFICATION		
RATED LOAD	2.5	TON
TESTING LOAD	3.125	TON
LIFTING HEIGHT	50	M
HOISTING	SPEED	6.5 M/MIN
	MOTOR	3.5 KW x 1 SET
TRAVERSING	SPEED	- M/MIN
	MOTOR	- KW x - SET
POWER SUPPLY	AC220,380,440,460,480V x 3øx60Hz	
OPERATING METHOD	P.B type ON . FL	
LOAD CHAIN	ø11.2 x 34 (1' FALL)	
WIEGHT	253 KG	

NOTE)

- 1) 점검 설비를 갖출것.
- 2) 인허가 서류를 완성검사시 제출할것.

물범복제 및 배포금지

REV.NO	DATE	REVISION	DESCRIPTION	DRAWN	CHECKED	APPROVED

TITLE					PROJECTION	
DA-2.5S ELECTRIC CHAIN HOIST						
WORK NO	WORK NAME				SCALE	Q' TY
	HOOK TYPE				N S	1
DRAWN	CHECKED	REVIEWED	APPROVED	DRAWING NO		
김창기						
2010.07.27						
L K HOIST CO., LTD.						