

POWER CIRCUIT
TRAVELLING POWER SUPPLY SYSTEM

ADDRESS NO.
A1



-NOTE-

- 1. - - - - MARKED OWNER SCOPE
- 2. ———— MARKED CRANE MAKER SCOPE

| | | | | | |
|--------------------------------------|-----------|----------|----------|----------------|-------|
| TITLE MAIN POWER CIRCUIT DIAGRAM1 | | | | PROJECTION | |
| WORK NO | WORK NAME | | | SCALE | Q' TY |
| 601 | DHDAM | | | 1/1 | 1 |
| 220V, 380V, 440V, 460V, 480V | | | | | |
| DRAWN | CHECKED | REVIEWED | APPROVED | DRAWING NO | DHDAM |
| LEE G.H. | | | | CODE NO | |
| 2010.07.30 | | | | | |
| L K HOIST CO., LTD. | | | | | |

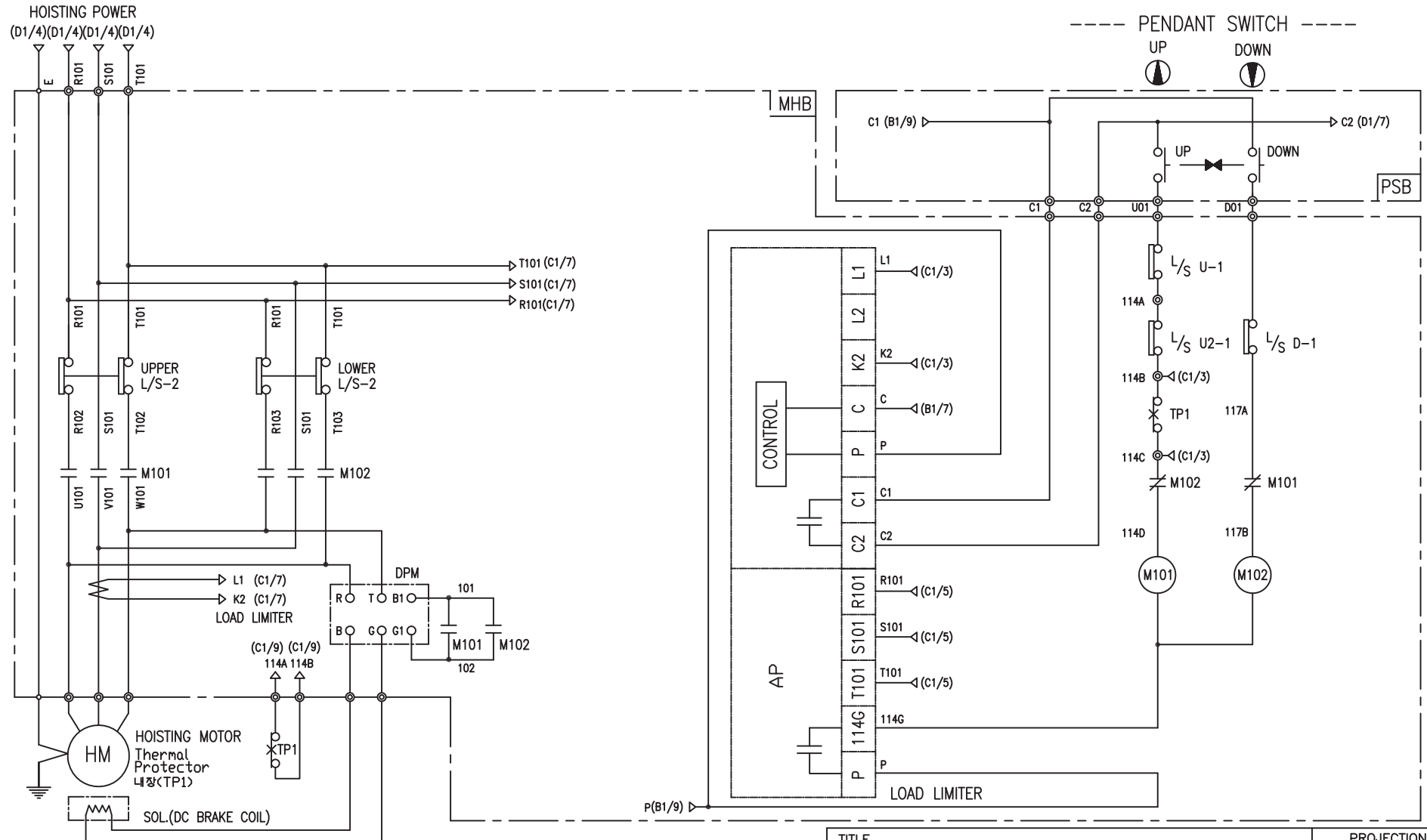


-NOTE-

1. ----- MARKER OWNER SCOPE
2. 24V인 경우 F21는 3A 적용

| SPECIFICATION | NO FUSE BREAKER | MAGNET CONTACT | TRANSFORMER | FUZE |
|---------------|-----------------|----------------|-------------|---------------|
| SYMBOLS | MCCBO | MO | TR10 | F11, F12, F21 |
| DESCRIPTION | 220V | 30A | 30VA | 1A |
| | 380V | 15A | | |
| | 440V | 15A | | |
| | 460V | 15A | | |
| | 480V | 15A | | |
| MAKER | LS | LS | DONGA | LK |

| | | | | | | | |
|---|--|--------------------|--|----------|--|----------------|--|
| TITLE MAIN POWER & CONTROL CIRCUIT DIAGRAM | | | | | | PROJECTION | |
| WORK NO 602 | | WORK NAME DHDAM | | | | SCALE 1/1 | |
| DRAWN LEE.G.H | | CHECKED | | REVIEWED | | APPROVED | |
| 2010.07.30 | | MODEL DHDAM | | CODE NO | | 1 | |
| L K HOIST CO., LTD. | | | | | | | |



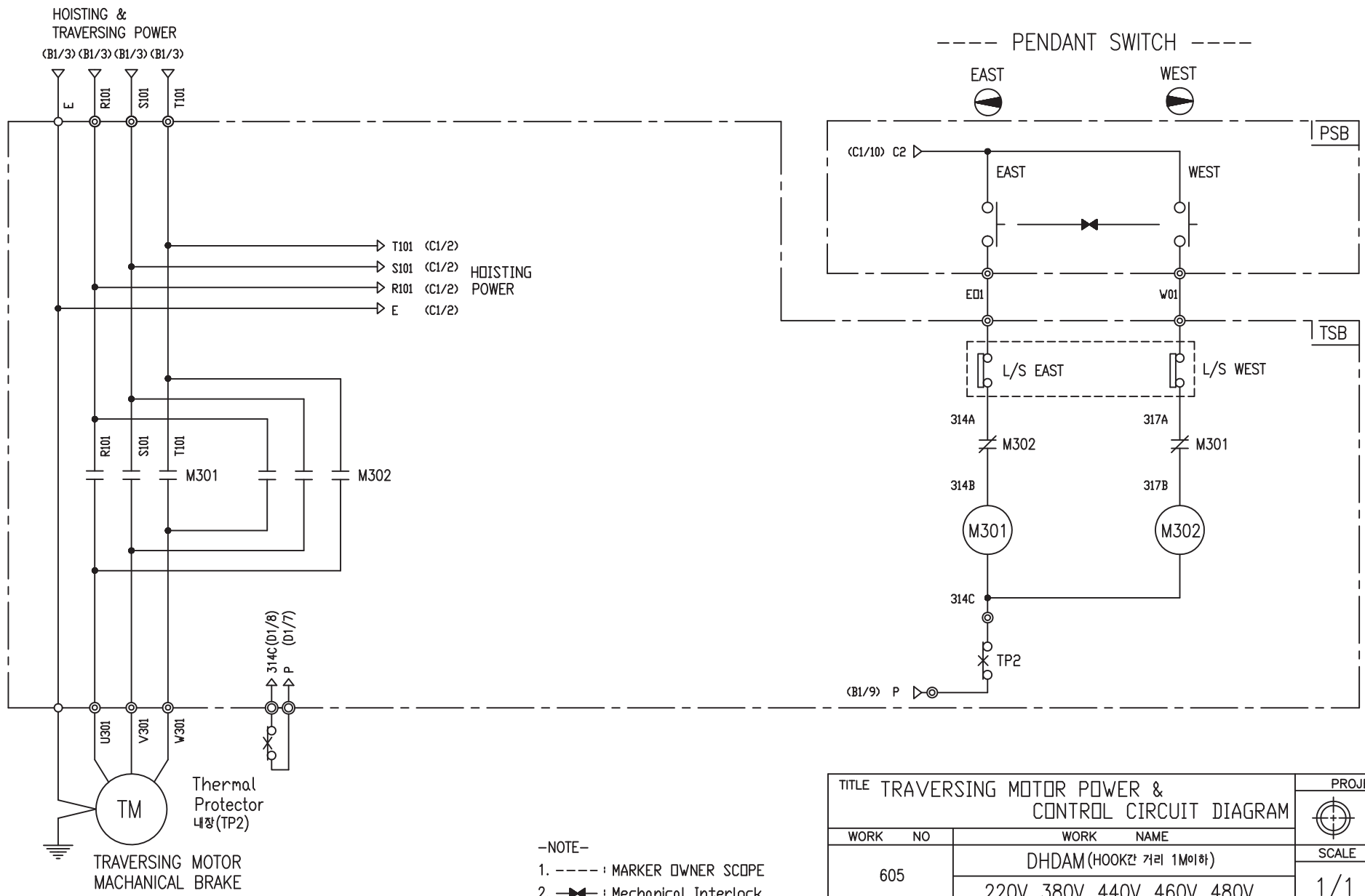
-NOTE-
 1. : Mechanical Interlock

| | | | | | | | | | |
|---------------|----------------|--------------|-------------------|--------|--------|--------|-------------------|-------------|------------|
| SPECIFICATION | MAGNET CONTACT | LOAD LIMITER | SILICON RECTIFIER | | | | Thermal Protector | HOIST MOTOR | |
| SYMBOLS | M101, M102 | - | DPM | | | | TP1 | HM | |
| DESCRIPTION | DMC-12 | GMC-12 | LKDL-601 | AC220V | AC440V | AC460V | AC480V | 17AM032 | 1.8Kw * 4P |
| | | | | DC99V | DC198V | DC207V | DC216V | | |
| MAKER | DONG-A | LS | LK | LK | | | Texas Instruments | LK | |

| | | | | | | | |
|---|--|--------------------|----------|----------|----------------|----------------|------------|
| TITLE HOIST POWER & CONTROL CIRCUIT DIAGRAM | | | | | | PROJECTION | |
| WORK NO 603 | | WORK NAME DHDAM | | | | SCALE 1/1 | Q' TY 1 |
| DRAWN LEE.G.H | | CHECKED | REVIEWED | APPROVED | MODEL DHDAM | CODE NO | |
| 2010.07.30 | | | | | | | |
| L K HOIST CO., LTD. | | | | | | | |

TRAVERSING POWER CIRCUIT

TRAVERSING CONTROL CIRCUIT



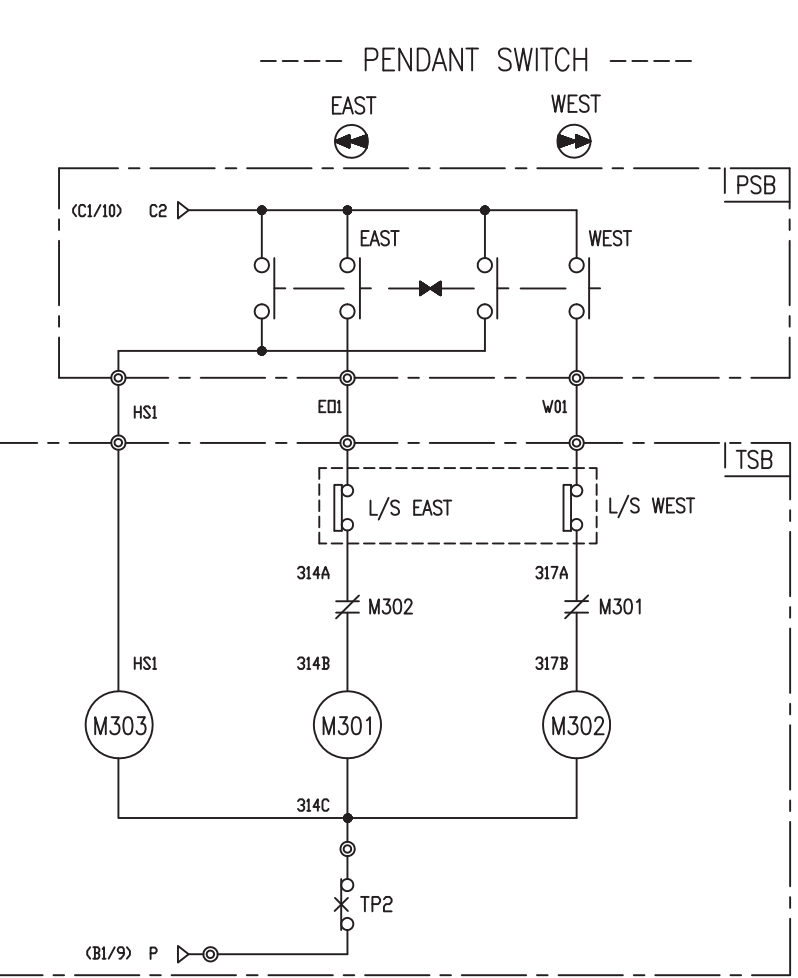
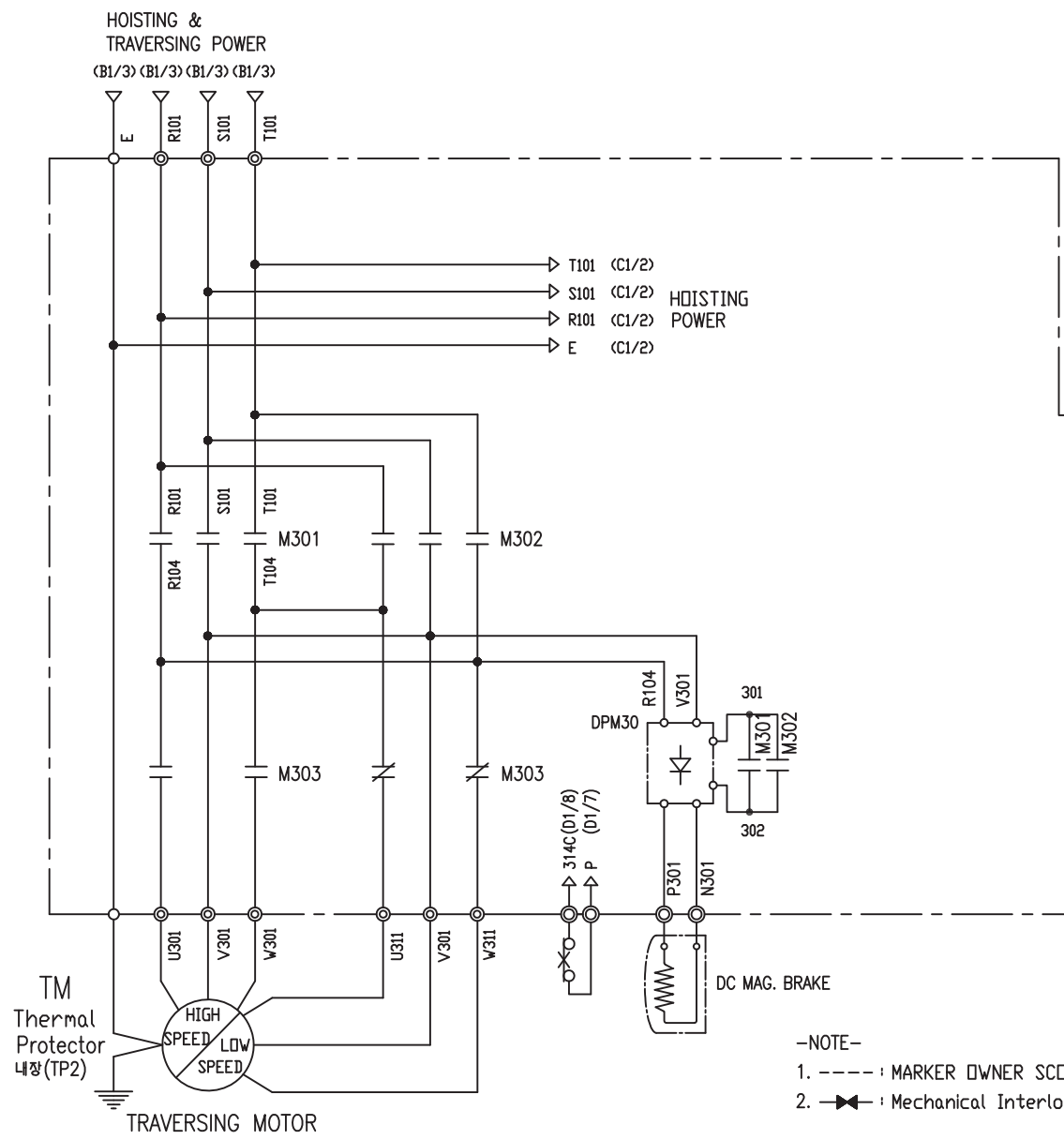
-NOTE-

1. ----- : MARKER OWNER SCOPE

2. —|—|— : Mechanical Interlock

| | | | | | | | |
|--|---------|----------|----------|---------|-------|--------------------------------|---------|
| TITLE TRAVERSING MOTOR POWER & CONTROL CIRCUIT DIAGRAM | | | | | | PROJECTION | |
| WORK NO 605 | | | | | | WORK NAME DHDAM(HOOK장 거리 1M이하) | |
| 220V, 380V, 440V, 460V, 480V | | | | | | SCALE 1/1 | Q' TY 1 |
| DRAWN LEE.G.H | CHECKED | REVIEWED | APPROVED | MODEL | DHDAM | | |
| 2010.07.30 | | | | CODE NO | | | |
| LK L K HOIST CO., LTD. | | | | | | | |

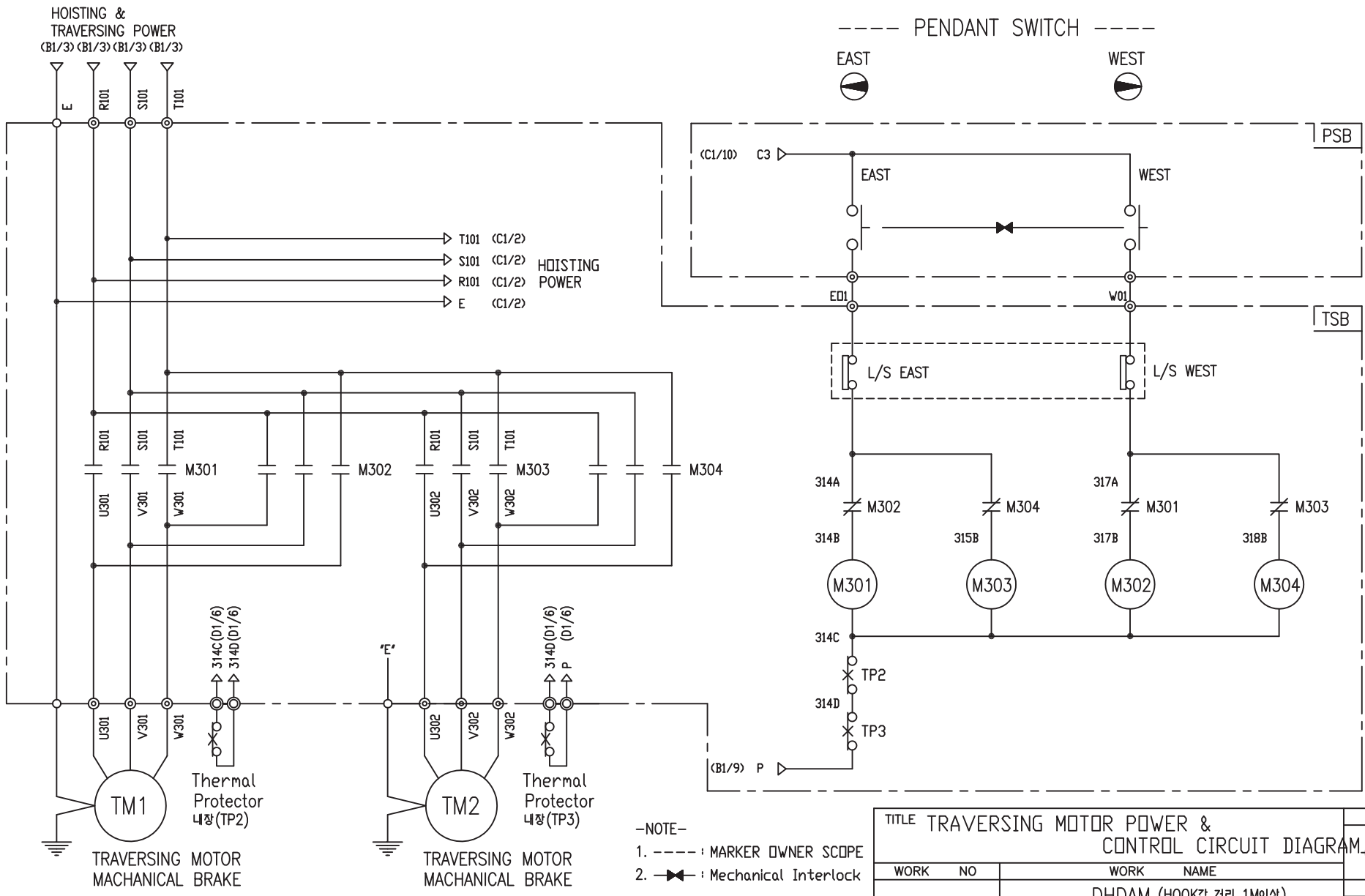
| | | | | |
|---------------|----------------|-------------------|------------------|-----------|
| SPECIFICATION | MAGNET CONTACT | Thermal Protector | TRAVERSING MOTOR | |
| SYMBOLS | M301, M302 | TP2 | TM | |
| DESCRIPTION | GMC12 DMC12 | 17AM032 | 0.4KW *4P | 0.3KW *6P |
| MAKER | LS DONGA | Texas Instruments | LK | |



-NOTE-
 1. ----- : MARKER OWNER SCOPE
 2. —▶— : Mechanical Interlock

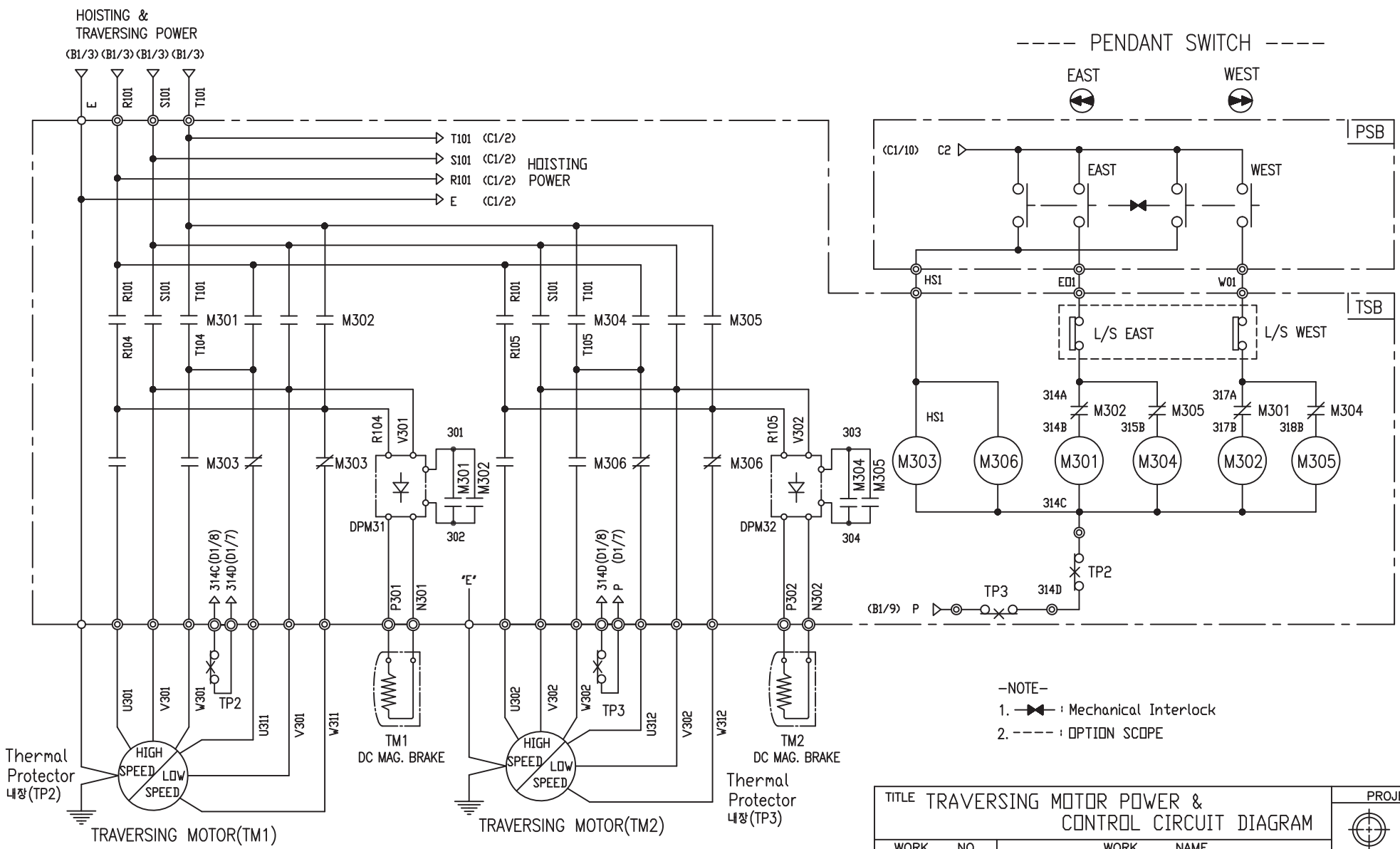
| | | | | | | | |
|--|---------|----------|----------|---------|-------|----------------------|---------|
| TITLE TRAVERSING MOTOR POWER & CONTROL CIRCUIT DIAGRAM | | | | | | PROJECTION | |
| WORK NO 606 | | | | | | DHDAM(HOOK간 거리 1M이하) | |
| 220V, 380V, 440V, 460V, 480V | | | | | | SCALE 1/1 | Q' TY 1 |
| DRAWN LEE.G.H | CHECKED | REVIEWED | APPROVED | MODEL | DHDAM | | |
| 2010.07.30 | | | | CODE NO | | | |
| LK L K HOIST CO., LTD. | | | | | | | |

| SPECIFICATION | MAGNET CONTACT | | Thermal Protector | SILICON RECTIFIER | | | | | TRAVERSING MOTOR |
|---------------|------------------|-------|-------------------|-------------------|--------|--------|--------|--------|-------------------|
| SYMBOLS | M301, M302, M303 | | TP2 | DPM30 | | | | | TM |
| DESCRIPTION | GMC12 | DMC12 | 17AM032 | AC220V | AC380V | AC440V | AC460V | AC480V | 0.4/0.14KW *4/12P |
| MAKER | LS | DONGA | Texas Instruments | DC99V | DC171V | DC198V | DC207V | DC216V | |



| | | | | |
|---------------|------------------------|-------------------|-------------------|-----------------|
| SPECIFICATION | MAGNET CONTACT | Thermal Protector | TRAVERSING MOTOR | |
| SYMBOLS | M301, M302, M303, M304 | TP2, TP3 | TM1, TM2 | |
| DESCRIPTION | GMC12 | DMC12 | 0.4KW *4P(2set) | 0.3KW *6P(2set) |
| MAKER | LS | DONGA | Texas Instruments | |

| | | | | | | | |
|--|---------|------------------------------|----------|---------|-------|------------|--|
| TITLE TRAVERSING MOTOR POWER & CONTROL CIRCUIT DIAGRAM | | | | | | PROJECTION | |
| WORK NO | | WORK NAME | | | | | |
| 607 | | DHDAM (HOOK간 거리 1M이상) | | | | SCALE | |
| | | 220V, 380V, 440V, 460V, 480V | | | | Q' TY | |
| | | 1/1 | | | | 1 | |
| DRAWN | CHECKED | REVIEWED | APPROVED | MODEL | DHDAM | | |
| LEE.G.H | | | | CODE NO | | | |
| 2010.07.30 | | | | | | | |
| L K HOIST CO., LTD. | | | | | | | |



-NOTE-

1. : Mechanical Interlock
2. - - - - : OPTION SCOPE

| | | | | | | | |
|---------------|--------------------------------------|-------------------|-------------------|--------|--------|--------|-----------------------------|
| SPECIFICATION | MAGNET CONTACT | Thermal Protector | SILICON RECTIFIER | | | | TRAVERSING MOTOR |
| SYMBOLS | M301, M302, M303 M304, M305, M306 | TP2, TP3 | DPM31, DPM32 | | | | TM1, TM2 |
| DESCRIPTION | GMC12 | DMC12 | 17AM032 | AC220V | AC380V | AC440V | 0.4/0.14KW ※4/12P (2set) |
| | | | | DC99V | DC171V | DC198V | |
| MAKER | LS | DONGA | Texas Instruments | | | | LK |

| | | | | | | | |
|--|---------|------------------------------|----------|---------|-------|------------|-------|
| TITLE TRAVERSING MOTOR POWER & CONTROL CIRCUIT DIAGRAM | | | | | | PROJECTION | |
| WORK NO | | WORK NAME | | | | | |
| 608 | | DHDAM (HOOK간 거리 1M이상) | | | | SCALE | Q' TY |
| | | 220V, 380V, 440V, 460V, 480V | | | | 1/1 | 1 |
| DRAWN | CHECKED | REVIEWED | APPROVED | MODEL | DHDAM | | |
| LEE.G.H | | | | CODE NO | | | |
| 2010.07.30 | | | | | | | |
| L K HOIST CO., LTD. | | | | | | | |

SCHEDULE OF TECHNICAL DATA

| | |
|---|-----------------------------|
| 1. SERVICE | HOISTING |
| 2. MANUFACTURE | LK HOIST CO. LTD |
| 3. MOTOR MODEL NO | 1.8 - 4 - 46 |
| 4. RATED POWER | 1.8 KW × 4 P |
| 5. RATED VOLTAGE AND FREQUENCY | 460 V 60HZ |
| 6. MOTOR TYPE | SQUIRREL CAGE ROTOR TYPE |
| 7. RATING | 30 MIN |
| 8. LOCATION | IN-DOOR , OUTDOOR |
| 9. INSULATION CLASS | B |
| 10. DESIGN TEMPERATURE RISE (BY RESISTANCE) | 80℃ |
| 11. FULL LOAD SPEED | 1740 RPM |
| 12. FULL LOAD CURRENT | 4.5 A |
| 13. STARTING CURRENT AT RATED VOLTAGE | 22.2 A |
| 14. MINIMUM STARTING VOLTAGE | 397 V |
| 15. EFFICIENCY AT 100% RATED LOAD | 72.4 % |
| 16. POWER FACTOR AT 100% RATED LOAD | 69.4 % |
| 17. STARTING TORQUE | 246 % |
| 18. TYPE OF ENCLOSURE | 전폐형 |
| 19. TYPE OF BEARING | PL : 6008DD OPL : 6207ZZ |
| 20. MOUNTING | VERTICAL |
| 21. MAXIMUM AMBIENT TEMPURE | 40℃ |
| 22. BEARING LUBRICATION | GREASE |
| 23. STARTING METHOD | FULL VOLTAGE |

SCHEDULE OF TECHNICAL DATA

| | |
|---|-----------------------------|
| 1. SERVICE | TRAVERSING |
| 2. MANUFACTURE | LK HOIST CO. LTD |
| 3. MOTOR MODEL NO | 0.4 - 4 - 46 |
| 4. RATED POWER | 0.4 KW × 4 P |
| 5. RATED VOLTAGE AND FREQUENCY | 460 V 60HZ |
| 6. ROTOR TYPE | SQUIRREL CAGE ROTOR TYPE |
| 7. RATING | 15 MIN |
| 8. LOCATION | IN-DOOR , OUTDOOR |
| 9. INSULATION CLASS | B |
| 10. DESIGN TEMPERATURE RISE (BY RESISTANCE) | 100℃ |
| 11. FULL LOAD SPEED | 1710 RPM |
| 12. FULL LOAD CURRENT | 1.43 A |
| 13. STARTING CURRENT AT RATED VOLTAGE | 6.6 A |
| 14. MINIMUM STARTING VOLTAGE | 405 V |
| 15. EFFICIENCY AT 100% RATED LOAD | 59 % |
| 16. POWER FACTOR AT 100% RATED LOAD | 59.5 % |
| 17. STARTING TORQUE | 249 % |
| 18. TYPE OF ENCLOSURE | 전폐형 |
| 19. TYPE OF BEARING | PL : 6202DD OPL : 6004ZZ |
| 20. MOUNTING | VERTICAL |
| 21. MAXIMUM AMBIENT TEMPERATURE | 40℃ |
| 22. BEARING LUBRICATION | GREASE |
| 23. STARTING METHOD | FULL VOLTAGE |

SCHEDULE OF TECHNICAL DATA

| | |
|---|-----------------------------|
| 1. SERVICE | TRAVERSING |
| 2. MANUFACTURE | LK HOIST CO. LTD |
| 3. MOTOR MODEL NO | 0.3 - 6 - 46 |
| 4. RATED POWER | 0.3 KW × 6 P |
| 5. RATED VOLTAGE AND FREQUENCY | 460 V 60HZ |
| 6. ROTOR TYPE | SQUIRREL CAGE ROTOR TYPE |
| 7. RATING | 15 MIN |
| 8. LOCATION | IN-DOOR , OUTDOOR |
| 9. INSULATION CLASS | B |
| 10. DESIGN TEMPERATURE RISE (BY RESISTANCE) | 100℃ |
| 11. FULL LOAD SPEED | 1140 RPM |
| 12. FULL LOAD CURRENT | 1.4 A |
| 13. STARTING CURRENT AT RATED VOLTAGE | 7.66 A |
| 14. MINIMUM STARTING VOLTAGE | 414 V |
| 15. EFFICIENCY AT 100% RATED LOAD | 53 % |
| 16. POWER FACTOR AT 100% RATED LOAD | 51 % |
| 17. STARTING TORQUE | 249 % |
| 18. TYPE OF ENCLOSURE | 전폐형 |
| 19. TYPE OF BEARING | PL : 6008DD OPL : 6207ZZ |
| 20. MOUNTING | VERTICAL |
| 21. MAXIMUM AMBIENT TEMPERATURE | 40℃ |
| 22. BEARING LUBRICATION | GREASE |
| 23. STARTING METHOD | FULL VOLTAGE |

SCHEDULE OF TECHNICAL DATA

| | |
|---|-----------------------------|
| 1. SERVICE | TRAVERSING |
| 2. MANUFACTURE | LK HOIST CO. LTD |
| 3. MOTOR MODEL NO | 0.4/0.14 - 4/12 - 46 |
| 4. RATED POWER | 0.4/0.14 KW × 4/12 P |
| 5. RATED VOLTAGE AND FREQUENCY | 460 V 60HZ |
| 6. MOTOR TYPE | SQUIRREL CAGE ROTOR TYPE |
| 7. RATING | 15 MIN |
| 8. LOCATION | IN-DOOR , OUTDOOR |
| 9. INSULATION CLASS | B |
| 10. DESIGN TEMPERATURE RISE (BY RESISTANCE) | 100℃ |
| 11. FULL LOAD SPEED | 1710 / 550 RPM |
| 12. FULL LOAD CURRENT | 1.43 / 0.94 A |
| 13. STARTING CURRENT AT RATED VOLTAGE | 7.1 / 4.7 A |
| 14. MINIMUM STARTING VOLTAGE | 414 V |
| 15. EFFICIENCY AT 100% RATED LOAD | 62 / 49 % |
| 16. POWER FACTOR AT 100% RATED LOAD | 56.5 / 41 % |
| 17. STARTING TORQUE | 230 / 231 % |
| 18. TYPE OF ENCLOSURE | 전폐형 |
| 19. TYPE OF BEARING | PL : 6008DD OPL : 6207ZZ |
| 20. MOUNTING | VERTICAL |
| 21. MAXIMUM AMBIENT TEMPURE | 40℃ |
| 22. BEARING LUBRICATION | GREASE |
| 23. STARTING METHOD | FULL VOLTAGE |