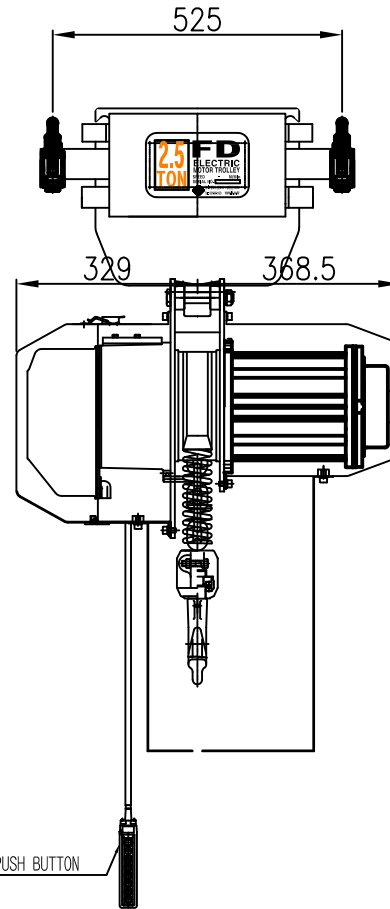
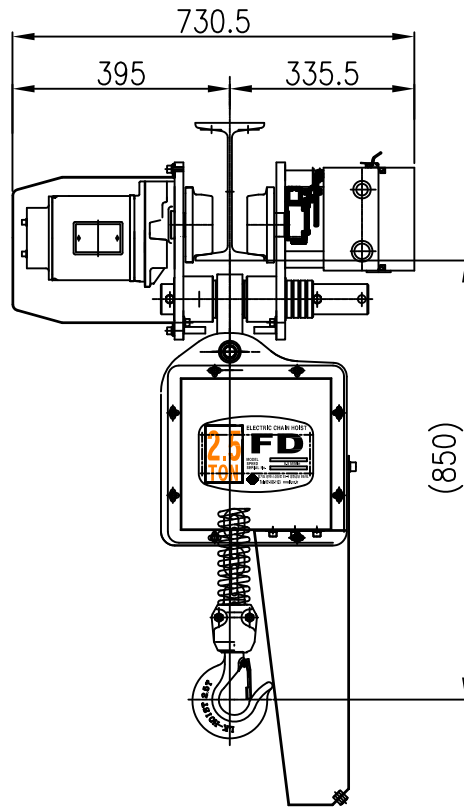


ON 9MD

# L K HOIST

| NO | DESCRIPTION | SIZE | MAT' L | Q' TY | WT (kg) | REMARKS |
|----|-------------|------|--------|-------|---------|---------|
|    |             |      |        |       |         |         |



| SPECIFICATION    |                                      |
|------------------|--------------------------------------|
| HOISTING LOAD    | 2.5 TON                              |
| TESTING LOAD     | 3.125 TON                            |
| LIFTING HEIGHT   | 20 M                                 |
| HOISTING SPEED   | 6.5 M/MIN                            |
| MOTOR            | 3.5 KW x 4p                          |
| TRAVERSING SPEED | 16 M/MIN                             |
| MOTOR            | 0.75 KW x 4p                         |
|                  | 11 M/MIN                             |
|                  | 0.4 KW x 6p                          |
| POWER SUPPLY     | AC 220,380,440,460,480V x 3φ x 50 Hz |
| OPERATING METHOD | P.B type ON . FL                     |
| WEIGHT           | 265 KG                               |
| I-BEAM SIZE      | 100 ~ 175 MM                         |
| H-BEAM SIZE      | 100 ~ 200 MM                         |

적용 I-BEAM)

- 1) 지점간 거리: I-200X100X7/10 - 2.5 M
- 2) 지점간거리 : I-250X125X7.5/12.5 - 4.5M
- 3) 지점간거리 : I-300X150X10/18.5 - 7.0M
- 4) 지점간거리 : I-450X175X13/26 - 12M

적용 H-BEAM)

- 1) 지점간 거리: H-200X100X5.5/8 - 2.0M
- 2) 지점간거리 : H-250X125X6/9 - 3.5M
- 3) 지점간거리 : H-300X150X6.5/9 - 5.0M
- 4) 지점간거리 : H-450X200X9/14 - 10.5M

| TITLE                |              |          |          |            | PROJECTION |       |
|----------------------|--------------|----------|----------|------------|------------|-------|
| ELECTRIC CHAIN HOIST |              |          |          |            |            |       |
| WORK NO              | WORK NAME    |          |          |            | SCALE      | Q' TY |
|                      | LK-FDAM-2.5S |          |          |            | 1/1        |       |
| DRAWN                | CHECKED      | REVIEWED | APPROVED | DRAWING NO |            |       |
| 김 창 기                |              |          |          | CODE NO    |            |       |
| 23.08.08             |              |          |          |            |            |       |
|                      |              |          |          |            |            |       |

| REV.NO | DATE | REVISION | DESCRIPTION | DRAWN | CHECKED | APPROVED |
|--------|------|----------|-------------|-------|---------|----------|
|        |      |          |             |       |         |          |