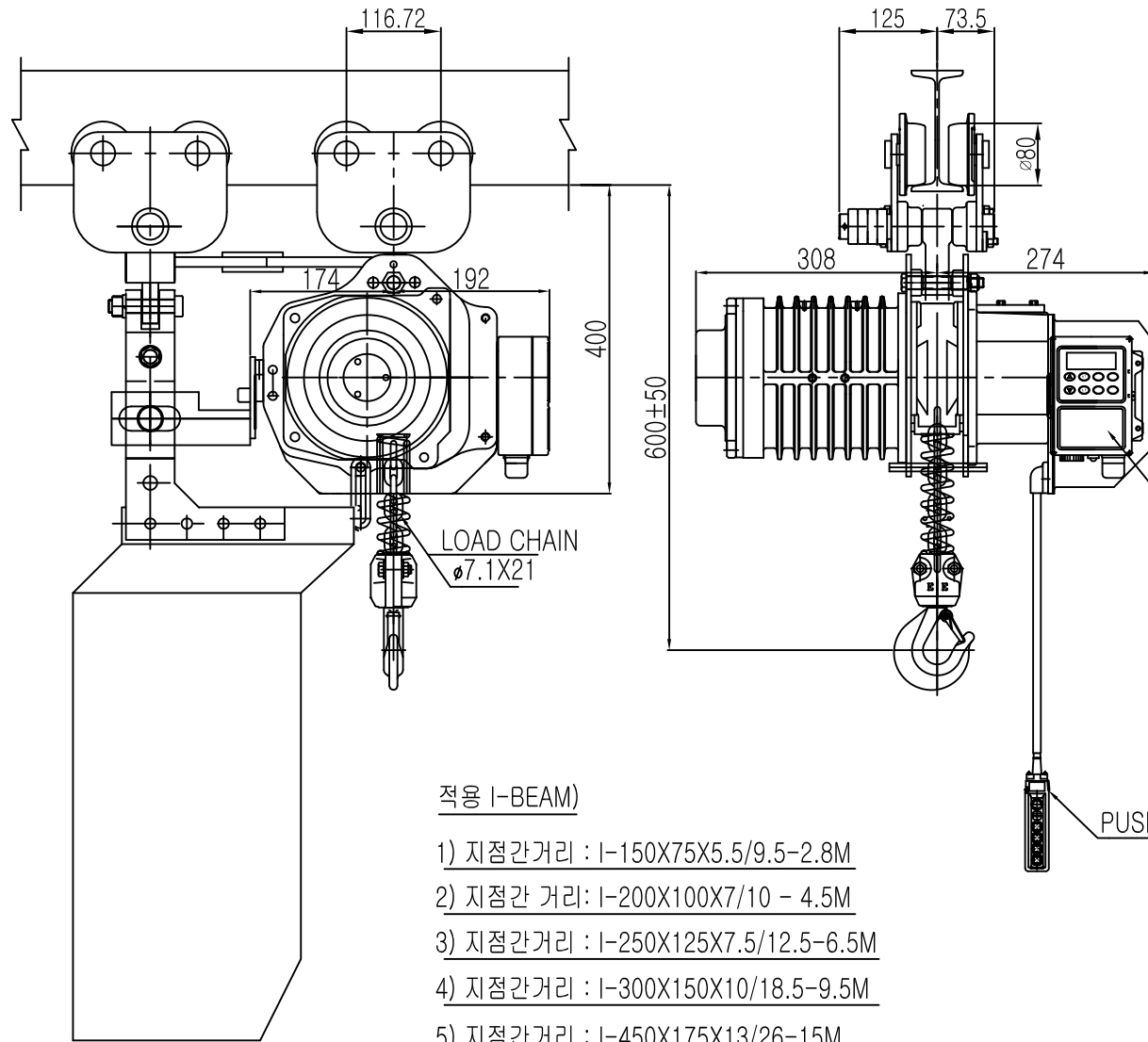


L K HOIST

NO	DESCRIPTION	SIZE	MAT'L	Q'TY	WT (kg)	REMARKS



SPECIFICATION

		LK-DAP-1S	
RATED LOAD	(TON)	1.0	
TESTING LOAD	(TON)	1.25	
LIFTING HEIGHT	(M)	50	
HOISTING	SPEED (M/MIN)	8.2	
	MOTOR (KW)	1.8kw x 4p	
TRAVERSING	SPEED (M/MIN)	-	-
	MOTOR (KW)	-	-
POWER SUPPLY	AC220.380.440.460.480Vx3ø x 60 Hz		
OPERATING METHOD	P.B type ON . FL		
LOAD CHAIN	ø7.1 X 21 (1FALL)		
WEIGHT	(KG)	145	
I-BEAM 적용폭	75 ~ 175MM		

LOAD LIMITER

PUSH BUTTON S/W

NOTE)

- 1) 점검 설비를 갖출 것
- 2) 인허가 서류를 완성검사시 제출 할 것

적용 I-BEAM)

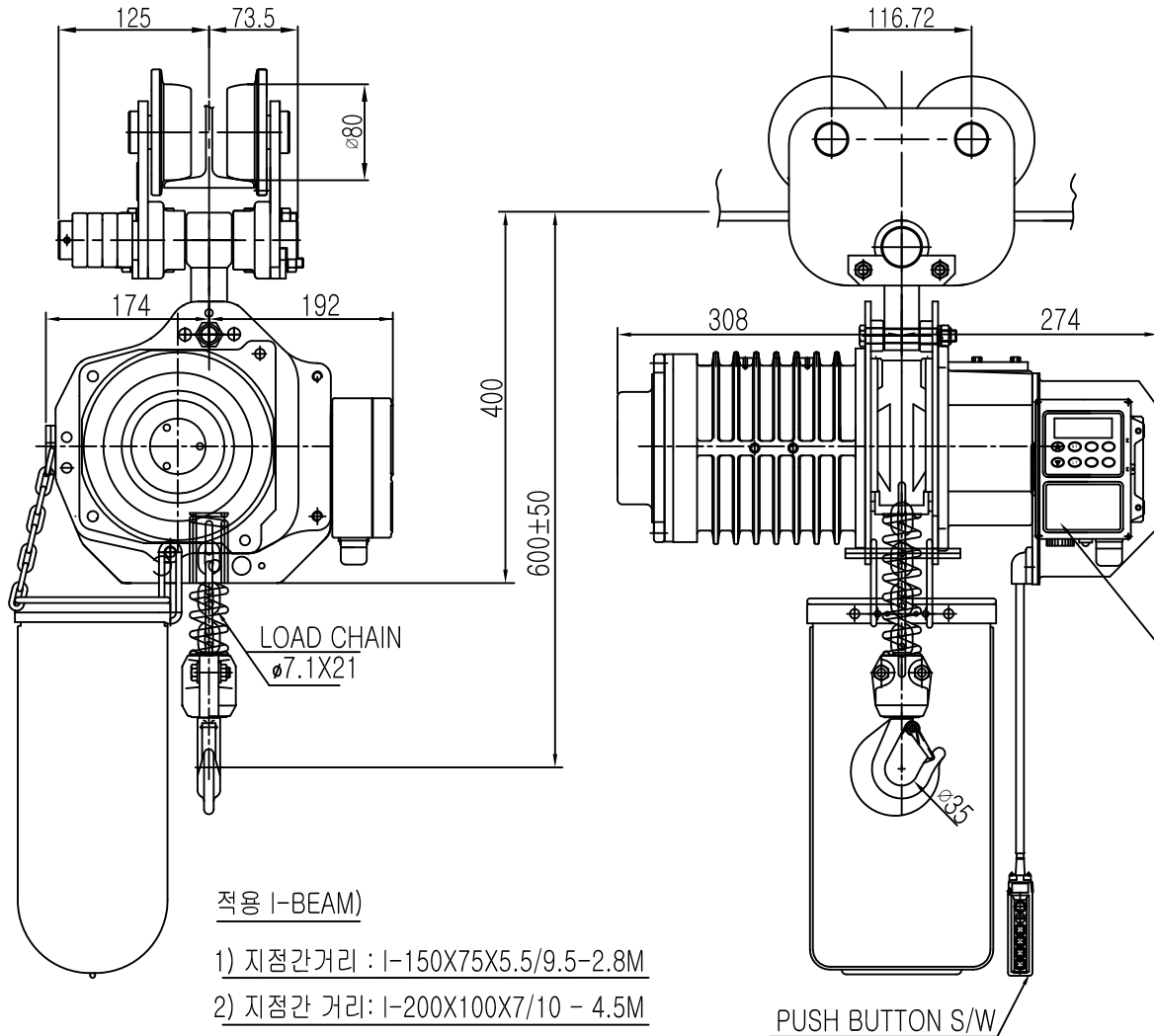
- 1) 지점간거리 : I-150X75X5.5/9.5-2.8M
- 2) 지점간 거리: I-200X100X7/10 - 4.5M
- 3) 지점간거리 : I-250X125X7.5/12.5-6.5M
- 4) 지점간거리 : I-300X150X10/18.5-9.5M
- 5) 지점간거리 : I-450X175X13/26-15M

REV.NO	DATE	REVISION	DESCRIPTION	DRAWN	CHECKED	APPROVED

TITLE					PROJECTION	
ELECTRIC CHAIN HOIST DAP-1S						
WORK NO	WORK NAME				SCALE	Q' TY
	LK-DAP-1S					1
DRAWN	CHECKED	REVIEWED	APPROVED	DRAWING NO		
김 창 기						
2010.08.01				CODE NO		
L K HOIST CO., LTD.						

L K HOIST

NO	DESCRIPTION	SIZE	MAT' L	Q' TY	WT (kg)	REMARKS



SPECIFICATION

		LK-DAP-1S	
RATED LOAD (TON)		1.0	
TESTING LOAD (TON)		1.25	
LIFTING HEIGHT (M)		50	
HOISTING	SPEED (M/MIN)	8.2	
	MOTOR (KW)	1.8kw x 4p	
TRAVERSING	SPEED (M/MIN)	-	-
	MOTOR (KW)	-	-
POWER SUPPLY	AC220,380,440,460,480Vx3ø x 60 Hz		
OPERATING METHOD	P.B type ON . FL		
LOAD CHAIN	ø7.1 X 21 (1FALL)		
WEIGHT (KG)	145		
I-BEAM 적용폭	75 ~ 175MM		

적용 I-BEAM)

- 1) 지점간거리 : I-150X75X5.5/9.5-2.8M
- 2) 지점간 거리: I-200X100X7/10 - 4.5M
- 3) 지점간거리 : I-250X125X7.5/12.5-6.5M
- 4) 지점간거리 : I-300X150X10/18.5-9.5M
- 5) 지점간거리 : I-450X175X13/26-15M

NOTE)

- 1) 점검 설비를 갖출 것
- 2) 인허가 서류를 완성검사시 제출 할 것

TITLE					PROJECTION	
ELECTRIC CHAIN HOIST						
WORK NO	WORK NAME				SCALE	Q' TY
	LK-DAP-1S				N/S	1
DRAWN	CHECKED	REVIEWED	APPROVED	DRAWING NO		
김창기						
2010.08.01				CODE NO		
L K HOIST CO., LTD.						

REV.NO	DATE	REVISION	DESCRIPTION	DRAWN	CHECKED	APPROVED