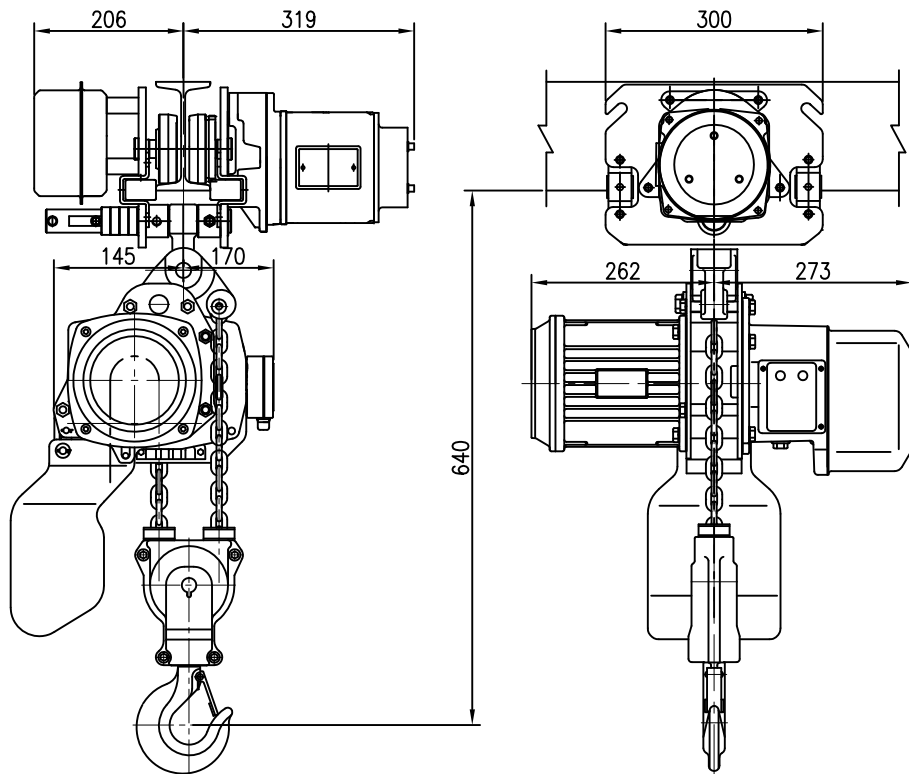


ON 9MG

L K HOIST

NO	DESCRIPTION	SIZE	MAT' L	Q' TY	WT (kg)	REMARKS



SPECIFICATION

		LTSM-2W
RATED LOAD	(TON)	2
TESTING LOAD	(TON)	2.5
LIFTING HEIGHT	(M)	50
HOISTING	SPEED (M/MIN)	3.25
	MOTOR (KW)	1.5 x 4p
TRAVERSING	SPEED (M/MIN)	21
	MOTOR (KW)	0.5 x 4p
WEIGHT	(KG)	202
POWER SUPPLY		AC220 V x 1φ x 60Hz
OPERATING METHOD		P.B type ON . FL
LOAD CHAIN		φ7.1 X 21 (2FALL)
I-BEAM 적용표		100 ~ 175MM

적용 I-BEAM)

- 1) I- 200 X100 X7/10 - 3.0M
- 2) I- 250 X125 X7.5/12.5 - 5.0M
- 3) I- 300 X150 X10/18.5 - 7.5M
- 4) I- 450 X175 X13/26.0 - 12M

NOTE)

- 1)점검 설비를 갖출 것
- 2)인허가 서류를 완성검사시 제출 할 것

REV.NO	DATE	REVISION	DESCRIPTION	DRAWN	CHECKED	APPROVED

TITLE				PROJECTION	
CHAIN HOIST LTSM-2W					
WORK NO	WORK NAME			SCALE	Q' TY
				N S	1
DRAWN	CHECKED	REVIEWED	APPROVED	DRAWING NO	
김 창 기					
2010.07.15					
L K HOIST CO., LTD.					