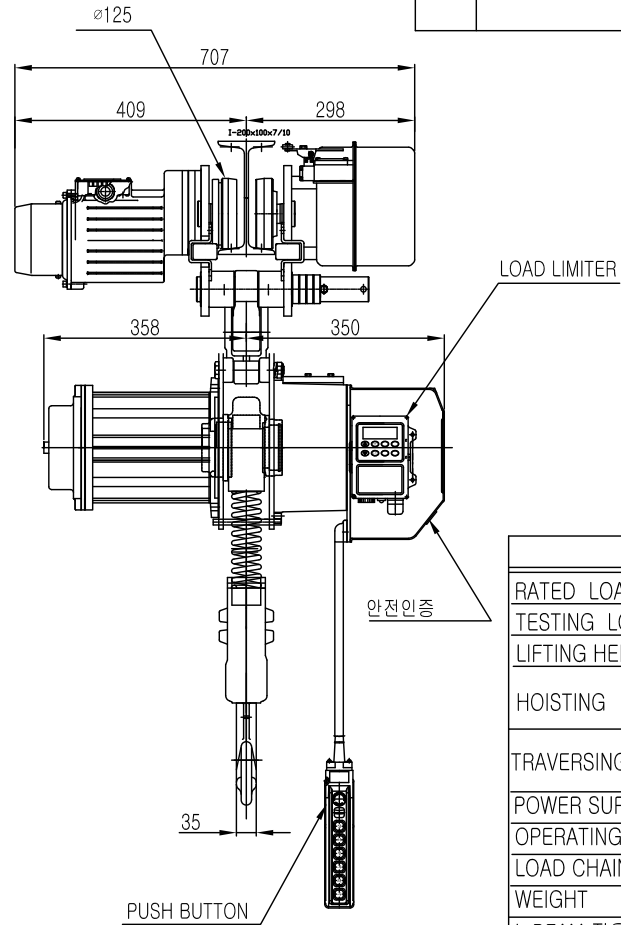
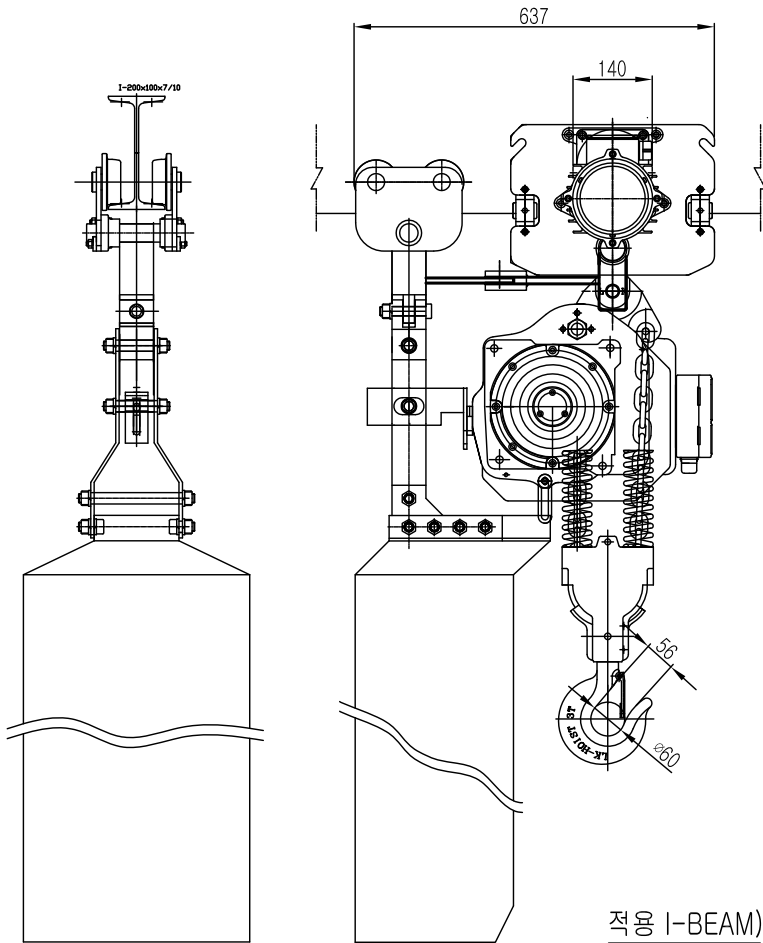


L K HOIST

NO	DESCRIPTION	MAT' L	Q' TY	WT (kg)	REMARKS



SPECIFICATION

		LK-EDAM-3W	
RATED LOAD	(TON)	3.0	
TESTING LOAD	(TON)	3.75	
LIFTING HEIGHT	(M)	50	
HOISTING	SPEED (M/MIN)	5.15	
	MOTOR (KW)	3.5kw x 4p	
TRAVERSING	SPEED (M/MIN)	20	14
	MOTOR (KW)	0.75kw x 4p	0.4kw x 6p
POWER SUPPLY	AC220.380.440.460.480V x 3ø x 60Hz		
OPERATING METHOD	P.B type ON . FL		
LOAD CHAIN	ø9.5 X 28.6(2FALL)		
WEIGHT	(KG)	405KG	
I-BEAM 적용폭	100 ~ 190MM		

적용 I-BEAM)

- 1) 지점간 거리: I-200X100X7/10 - 2.0M
- 2) 지점간거리 : I-250X125X7.5/12.5-4.0M
- 3) 지점간거리 : I-300X150X10/18.5-6.0M
- 4) 지점간거리 : I-450X175X13/26-11M
- 5) 지점간거리 : I-600X190X13/25-14M

TITLE				PROJECTION	
ELECTRIC CHAIN HOIST LK-EDAM-3W					
WORK NO	WORK NAME			SCALE	Q' TY
4	LK-EDAM-3W			1/1	1
DRAWN	CHECKED	REVIEWED	APPROVED	DRAWING NO	
김 창 기				CODE NO	
2013.11.05					

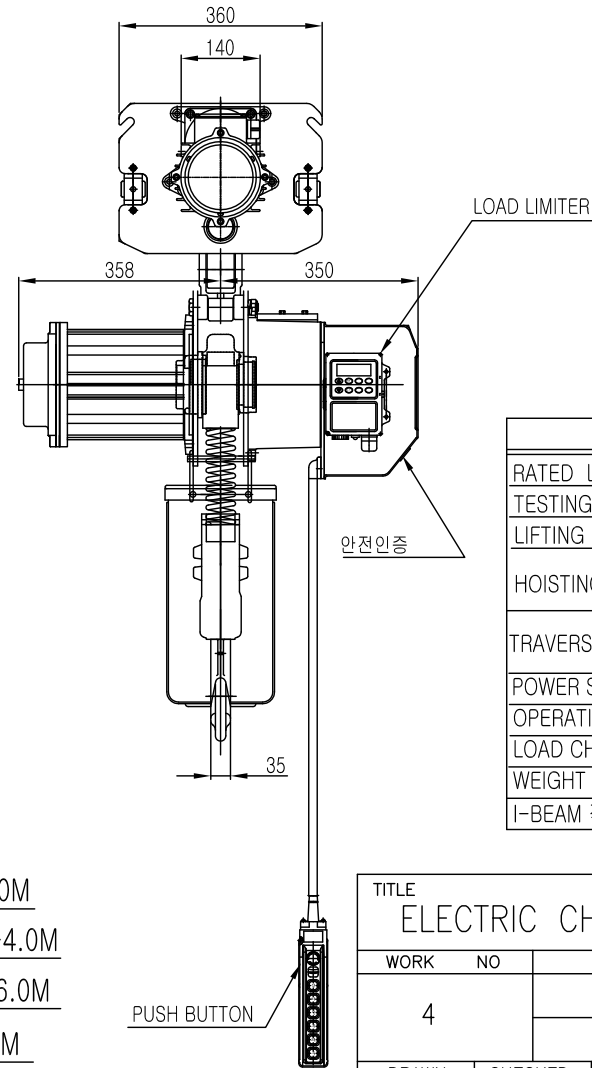
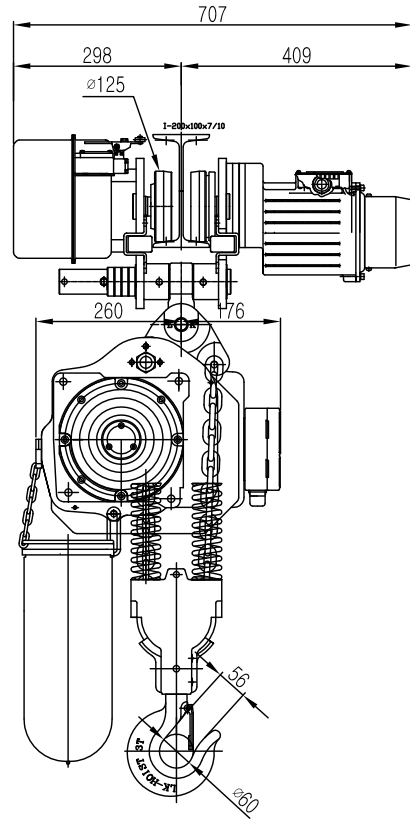
REV.NO	DATE	REVISION	DESCRIPTION	DRAWN	CHECKED	APPROVED



L K HOIST CO., LTD.

L K HOIST

NO	DESCRIPTION	MAT' L	Q' TY	WT (kg)	REMARKS



SPECIFICATION

		LK-EDAM-3W
RATED LOAD	(TON)	3.0
TESTING LOAD	(TON)	3.75
LIFTING HEIGHT	(M)	50
HOISTING	SPEED (M/MIN)	5.15
	MOTOR (KW)	3.5kw x 4p
TRAVERSING	SPEED (M/MIN)	20 14
	MOTOR (KW)	0.75kw x 4p 0.4kw x 6p
POWER SUPPLY	AC220.380.440.460.480V x 3ø x 60Hz	
OPERATING METHOD	P.B type ON . FL	
LOAD CHAIN	ø9.5 X 28.6(2FALL)	
WEIGHT	(KG)	405KG
I-BEAM 적용폭	100 ~ 190MM	

적용 I-BEAM)

- 1) 지점간 거리: I-200X100X7/10 - 2.0M
- 2) 지점간거리 : I-250X125X7.5/12.5-4.0M
- 3) 지점간거리 : I-300X150X10/18.5-6.0M
- 4) 지점간거리 : I-450X175X13/26-11M
- 5) 지점간거리 : I-600X190X13/25-14M

TITLE				PROJECTION	
ELECTRIC CHAIN HOIST LK-EDAM-3W					
WORK NO	WORK NAME			SCALE	Q' TY
4	LK-EDAM-3W			1/1	1
DRAWN	CHECKED	REVIEWED	APPROVED	DRAWING NO	
김 창 기					
2013.11.05				CODE NO	

REV.NO	DATE	REVISION	DESCRIPTION	DRAWN	CHECKED	APPROVED



L K HOIST CO., LTD.

