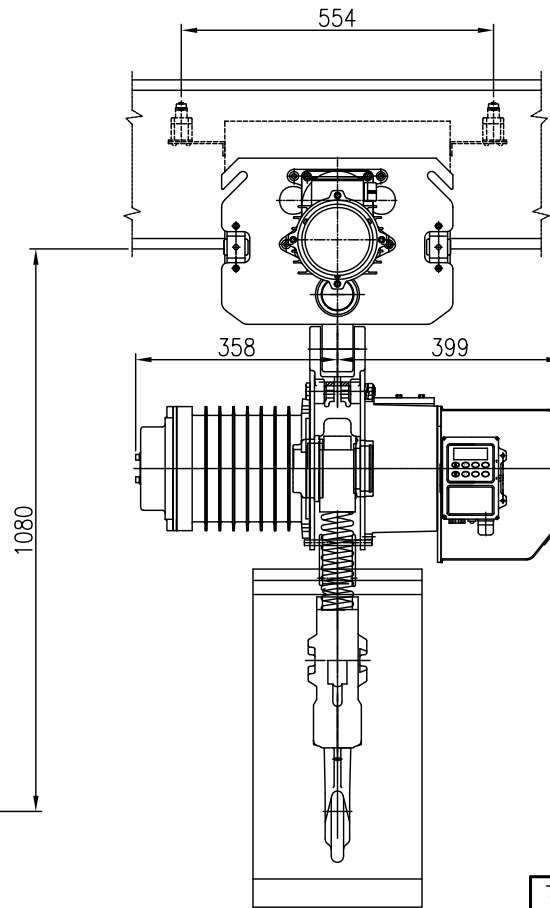
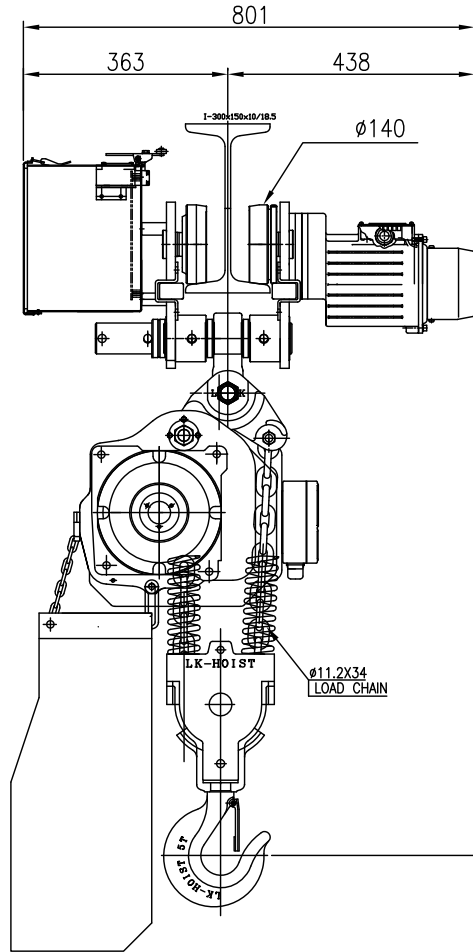


L K HOIST

NO	DESCRIPTION	MAT' L	Q' TY	WT (kg)	REMARKS



SPECIFICATION

		LK-DAMSD-5W	
RATED LOAD	(TON)	5.0	
TESTING LOAD	(TON)	6.25	
LIFTING HEIGHT	(M)	50	
HOISTING	SPEED (M/MIN)	3.25	
	MOTOR (KW)	3.5kw x 4p	
TRAVERSING	SPEED (M/MIN)	20	14
	MOTOR (KW)	0.75kw x 4p	0.4kw x 6p
POWER SUPPLY	AC220.380.440.460,480Vx3ø x 60 Hz		
OPERATING METHOD	P.B type ON . FL		
LOAD CHAIN	Ø11.2 X 34(2FALL)		
WEIGHT	(KG)	500KG	
I-BEAM 적용폭	125 ~ 190MM		

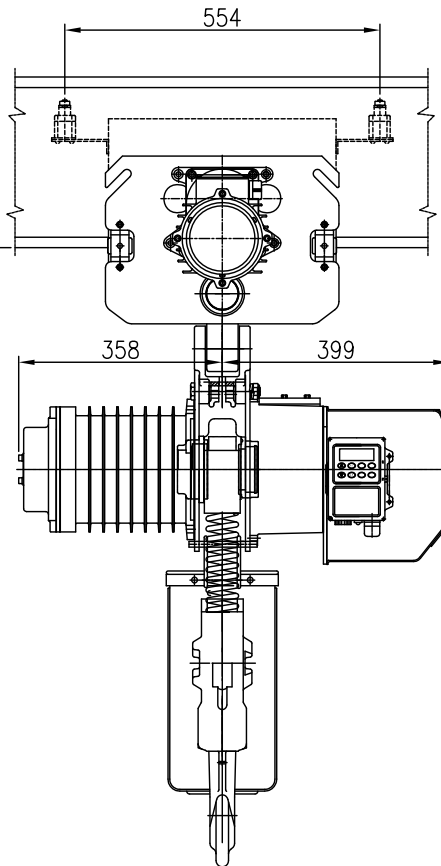
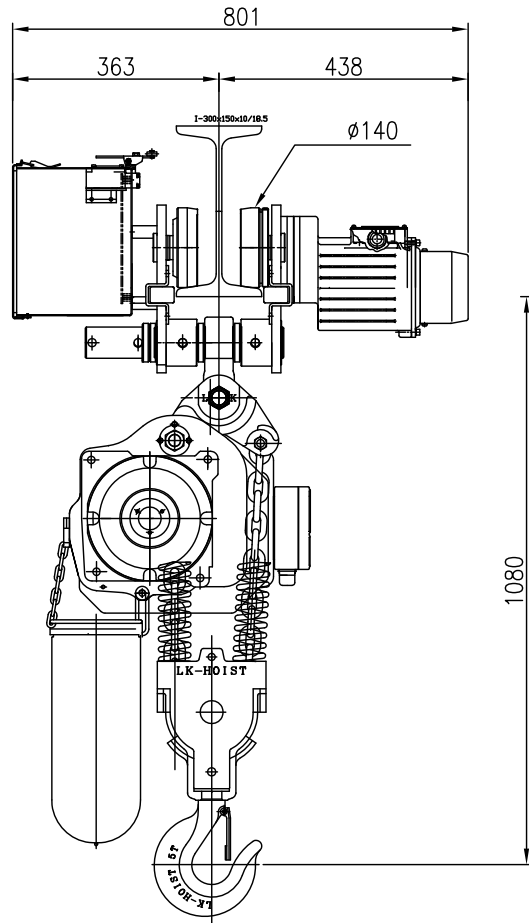
TITLE					PROJECTION	
ELECTRIC CHAIN HOIST DAMSD-5W						
WORK NO	WORK NAME				SCALE	Q' TY
4	LK-DAMSD-5W				1/1	1
DRAWN	CHECKED	REVIEWED	APPROVED	DRAWING NO		
김 창 기						
				CODE NO		
2012.09.11						

REV.NO	DATE	REVISION	DESCRIPTION	DRAWN	CHECKED	APPROVED

LK L K HOIST CO., LTD.

L K HOIST

NO	DESCRIPTION	MAT' L	Q' TY	WT (kg)	REMARKS



SPECIFICATION

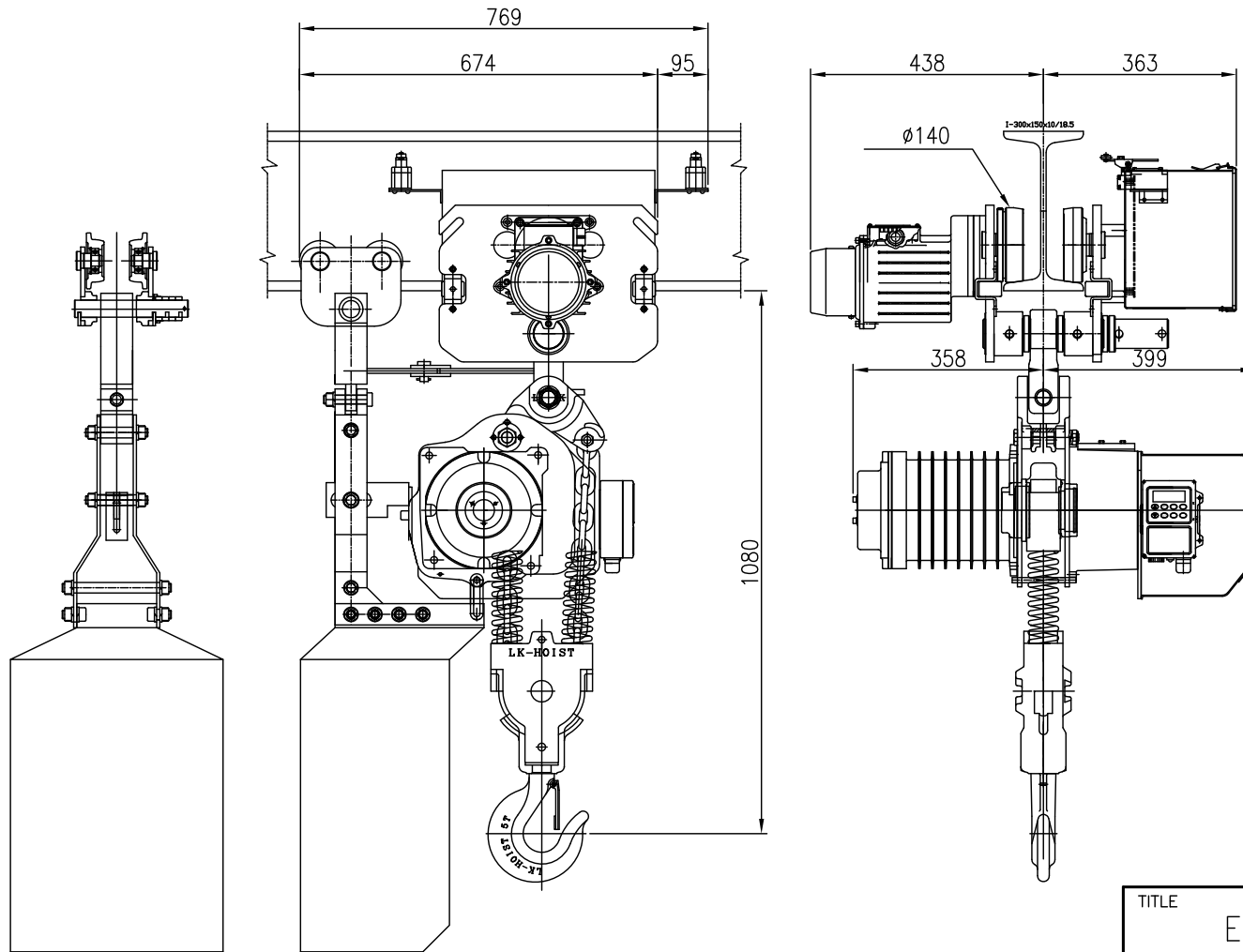
		LK-DAMSD-5W	
RATED LOAD	(TON)	5.0	
TESTING LOAD	(TON)	6.25	
LIFTING HEIGHT	(M)	50	
HOISTING	SPEED (M/MIN)	3.25	
	MOTOR (KW)	3.5kw x 4p	
TRAVERSING	SPEED (M/MIN)	20	14
	MOTOR (KW)	0.75kw x 4p	0.4kw x 6p
POWER SUPPLY	AC220.380.440.460.480Vx3ø x 60 Hz		
OPERATING METHOD	P.B type ON . FL		
LOAD CHAIN	Ø11.2 X 34(2FALL)		
WEIGHT	(KG)	500KG	
I-BEAM 적용폭	125 ~ 190MM		

TITLE					PROJECTION	
ELECTRIC CHAIN HOIST DAMSD-5W						
WORK NO	WORK NAME				SCALE	Q' TY
4	LK-DAMSD-5W				1/1	1
DRAWN	CHECKED	REVIEWED	APPROVED	DRAWING NO		
김창기				CODE NO		
2012.09.11						

REV.NO	DATE	REVISION	DESCRIPTION	DRAWN	CHECKED	APPROVED

L K HOIST

NO	DESCRIPTION	MAT' L	Q' TY	WT (kg)	REMARKS



SPECIFICATION

		LK-DAMSD-5W	
RATED LOAD	(TON)	5.0	
TESTING LOAD	(TON)	6.25	
LIFTING HEIGHT	(M)	50	
HOISTING	SPEED (M/MIN)	3.25	
	MOTOR (KW)	3.5kw x 4p	
TRAVERSING	SPEED (M/MIN)	20	14
	MOTOR (KW)	0.75kw x 4p	0.4kw x 6p
POWER SUPPLY	AC220.380.440.460,480Vx3 ϕ x 60 Hz		
OPERATING METHOD	P.B type ON . FL		
LOAD CHAIN	$\phi 11.2$ X 34(2FALL)		
WEIGHT	(KG)	500KG	
I-BEAM 적용폭	125 ~ 190MM		

TITLE					PROJECTION	
ELECTRIC CHAIN HOIST DAMSD-5W						
WORK NO	WORK NAME				SCALE	Q' TY
4	LK-DAMSD-5W				1/1	1
DRAWN	CHECKED	REVIEWED	APPROVED	DRAWING NO		
김 창 기						
2012.09.11				CODE NO		

REV.NO	DATE	REVISION	DESCRIPTION	DRAWN	CHECKED	APPROVED