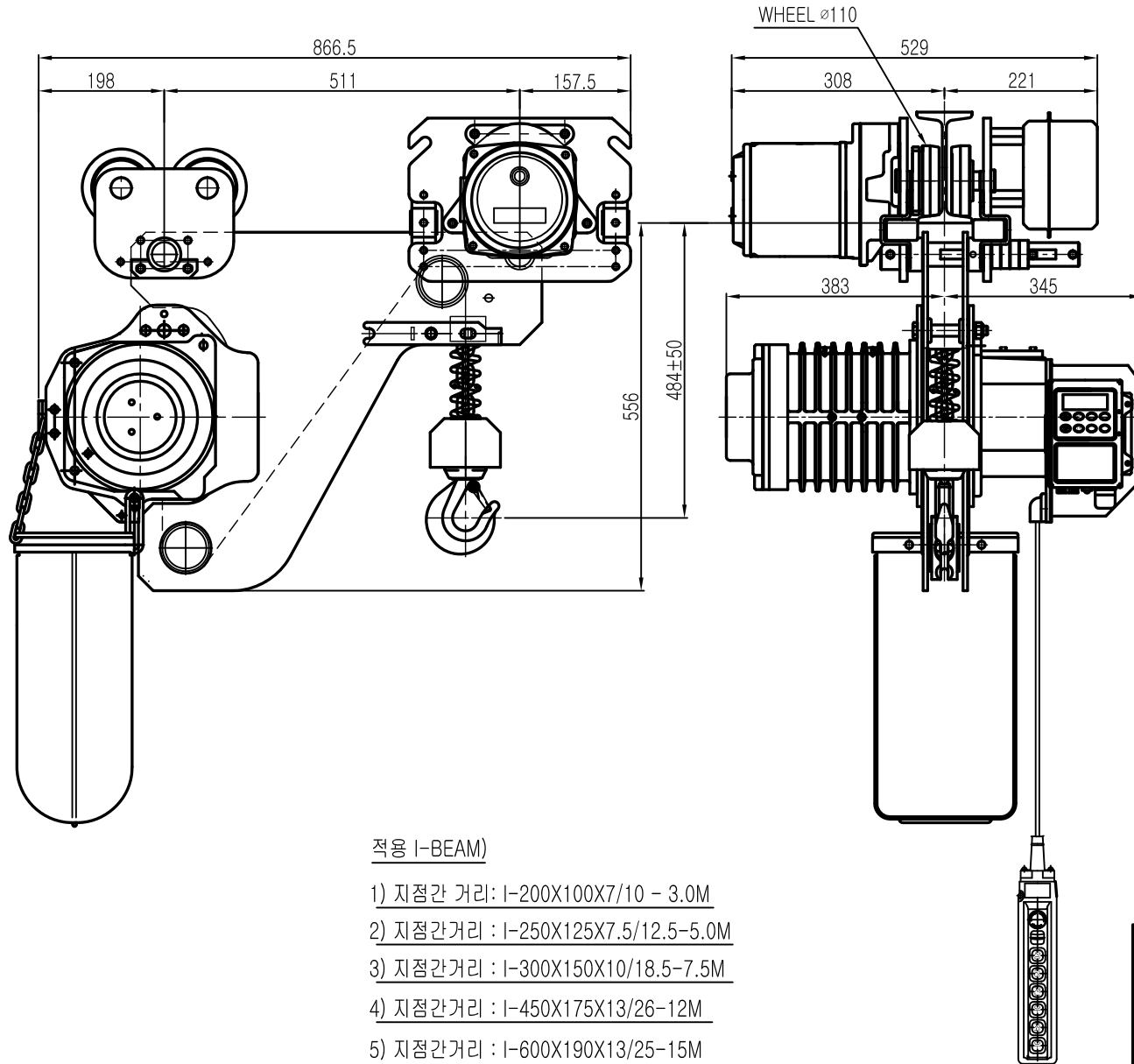


ON ㉠

# L K HOIST

NO	DESCRIPTION	SIZE	MAT'L	Q'TY	WT (kg)	REMARKS
----	-------------	------	-------	------	---------	---------



## SPECIFICATION

		LK-SHDBM-1.9S		
RATED LOAD	(TON)	1.9		
TESTING LOAD	(TON)	2.375		
LIFTING HEIGHT	(M)	50		
HOISTING	SPEED (M/MIN)	8.1/2.7		
	MOTOR (KW)	4.4/2.2kw x 2/6p		
TRAVERSING	SPEED (M/MIN)	21	14	21/7
	MOTOR (KW)	0.75kw x 4p	0.4kw x 6p	0.75/0.25kw x 4/12p
POWER SUPPLY	AC220,380,440,460,480Vx3φ x 60 Hz			
OPERATING METHOD	P.B type ON . FL			
LOAD CHAIN	ø11.2 X 34 (1FALL)			
WEIGHT	(KG)	373		
I-BEAM 적용폭	100 ~ 190MM			

### NOTE)

- 1)점검 설비를 갖출 것
- 2)인허가 서류를 완성검사시 제출 할 것

### 적용 I-BEAM)

- 1) 지점간 거리: I-200X100X7/10 - 3.0M
- 2) 지점간거리 : I-250X125X7.5/12.5-5.0M
- 3) 지점간거리 : I-300X150X10/18.5-7.5M
- 4) 지점간거리 : I-450X175X13/26-12M
- 5) 지점간거리 : I-600X190X13/25-15M

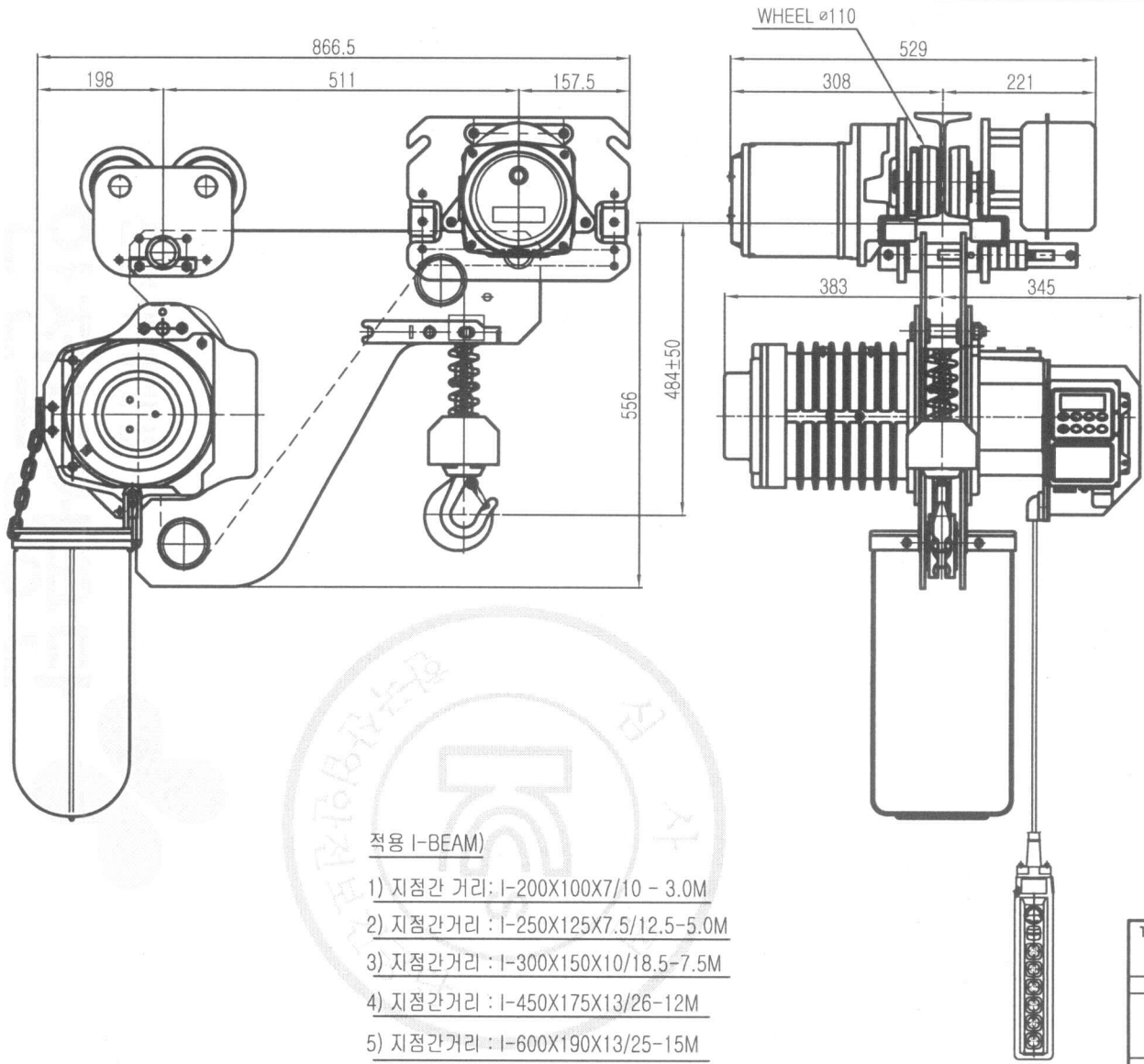
REV.NO	DATE	REVISION	DESCRIPTION	DRAWN	CHECKED	APPROVED
--------	------	----------	-------------	-------	---------	----------

TITLE					PROJECTION	
ELECTRIC CHAIN HOIST						
WORK NO	WORK NAME				SCALE	Q'TY
	LK-SHDBM-1.9S				N S	1
DRAWN	CHECKED	REVIEWED	APPROVED	DRAWING NO		
김 창 기						
2010.08.01				CORD NO		

ON GMD

# L K HOIST

NO	DESCRIPTION	SIZE	MAT'L	Q'TY	WT (kg)	REMARKS
----	-------------	------	-------	------	---------	---------



## SPECIFICATION

		LK-SHDBM-1.9S		
RATED LOAD	(TON)	1.9		
TESTING LOAD	(TON)	2.375		
LIFTING HEIGHT	(M)	50		
HOISTING	SPEED (M/MIN)	8.1/2.7		
	MOTOR (KW)	4.4/2.2kw x 2/6p		
TRAVERSING	SPEED (M/MIN)	21	14	21/7
	MOTOR (KW)	0.75kw x 4p	0.4kw x 6p	0.75/0.25kw x 4/12p
POWER SUPPLY	AC220.380.440.460.480Vx3φ x 60 Hz			
OPERATING METHOD	P.B type ON . FL			
LOAD CHAIN	φ11.2 X 34 (1FALL)			
WEIGHT	(KG)	373		
I-BEAM 적용폭	100 ~ 190MM			

- 적용 I-BEAM)
- 1) 지점간 거리: I-200X100X7/10 - 3.0M
  - 2) 지점간거리 : I-250X125X7.5/12.5-5.0M
  - 3) 지점간거리 : I-300X150X10/18.5-7.5M
  - 4) 지점간거리 : I-450X175X13/26-12M
  - 5) 지점간거리 : I-600X190X13/25-15M

- NOTE)
- 1)점검 설비를 갖추어 것
  - 2)인허가 서류를 완성검사시 제출할 것

REV.NO	DATE	REVISION	DESCRIPTION	DRAWN	CHECKED	APPROVED
--------	------	----------	-------------	-------	---------	----------

TITLE					PROJECTION	
ELECTRIC CHAIN HOIST						
WORK NO	WORK NAME				SCALE	Q'TY
	LK-SHDBM-1.9S				N S	1
DRAWN	CHECKED	REVIEWED	APPROVED	DRAWING NO		
김창기				CORD NO		
2010.08.01						
L K HOIST CO., LTD.						

물범복제 및 배포금지