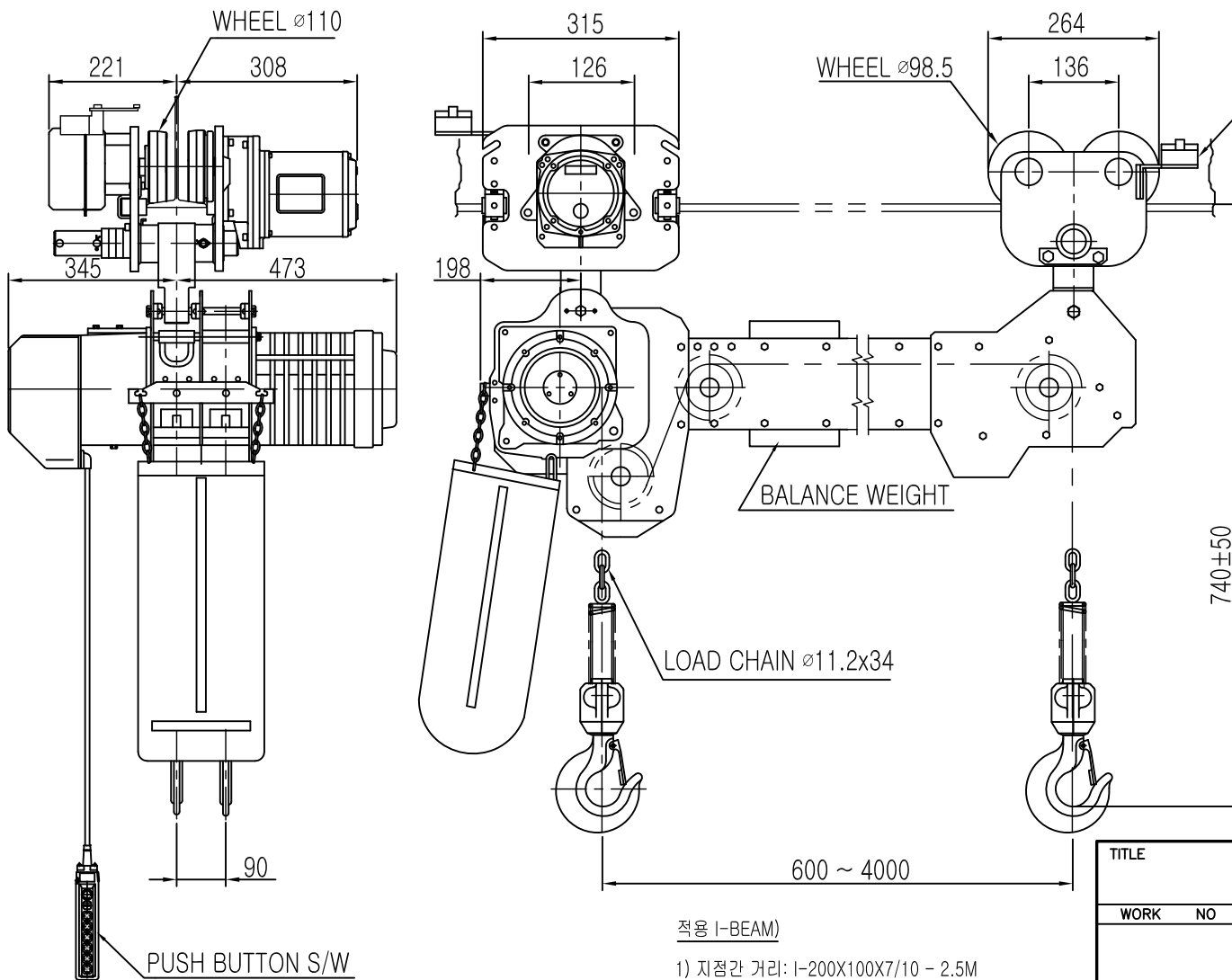


ON GMD

# L K HOIST

NO	DESCRIPTION	SIZE	MAT' L	Q' TY	WT (kg)	REMARKS



## SPECIFICATION

		LK-DHDBM-1.9S
RATED LOAD (TON)		1.9
TESTING LOAD (TON)		2.375
LIFTING HEIGHT (M)		50
HOISTING	SPEED (M/MIN)	8.1/2.7
	MOTOR (KW)	4.4/2.2kw x 2/6p
TRAVERSING	SPEED (M/MIN)	21 14 21/7
	MOTOR (KW)	0.75kw x 4p 0.4kw x 6p 0.75/0.25kw x 4/12p
POWER SUPPLY		AC220,380,440,460,480Vx3φ x 60 Hz
OPERATING METHOD		P.B type ON . FL
LOAD CHAIN		11.2 X 34 (1FALL)
WEIGHT (KG)		667
I-BEAM 적용폭		100 ~ 190MM

NOTE)

- 1)점검 설비를 갖출 것
- 2)인허가 서류를 완성검사시 제출 할 것

적용 I-BEAM)

- 1) 지점간 거리: I-200X100X7/10 - 2.5M
- 2) 지점간거리 : I-250X125X7.5/12.5-4.0M
- 3) 지점간거리 : I-300X150X10/18.5-7.0M
- 4) 지점간거리 : I-450X175X13/26-10M
- 5) 지점간거리 : I-600X190X13/25-15M

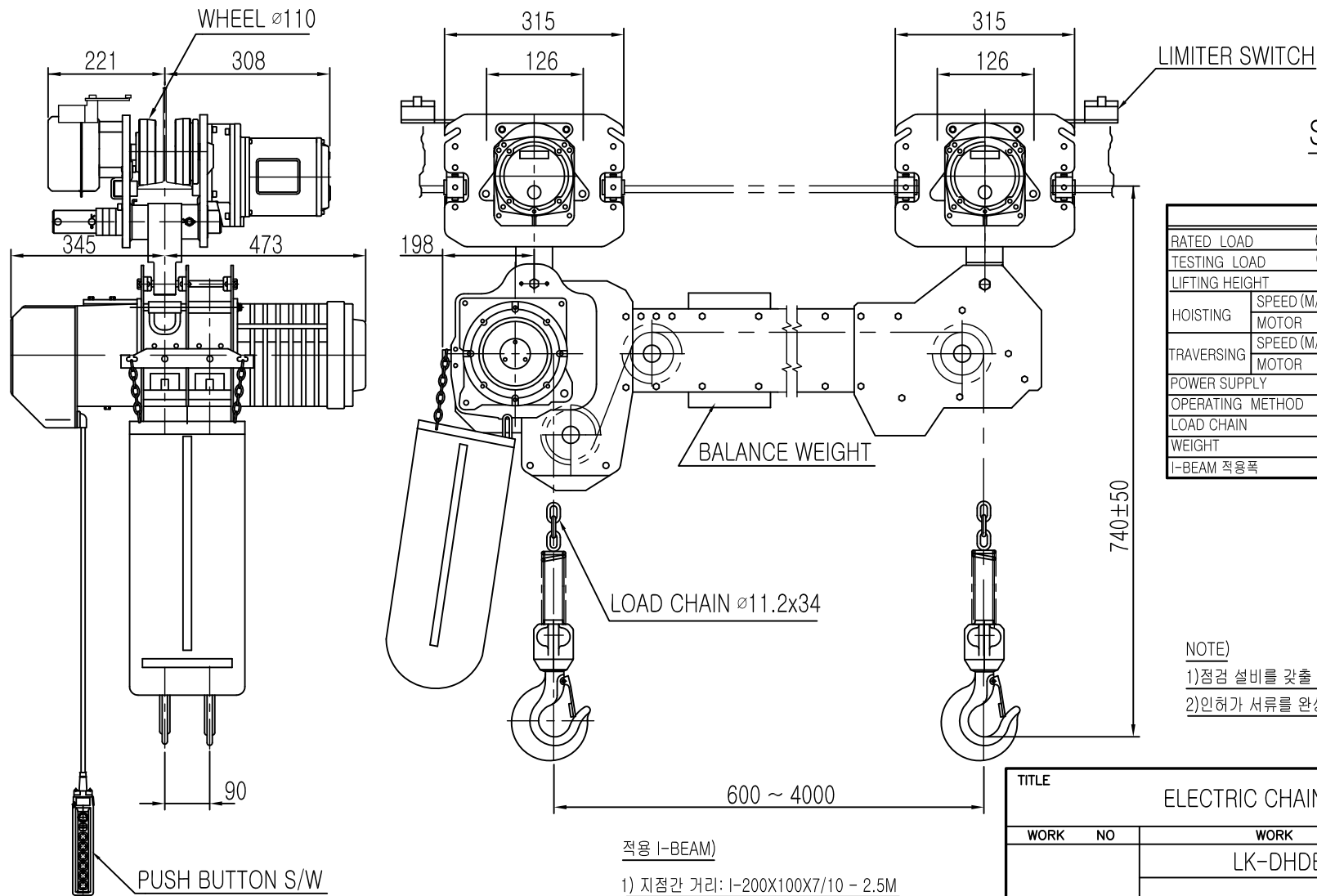
REV.NO	DATE	REVISION	DESCRIPTION	DRAWN	CHECKED	APPROVED

TITLE					PROJECTION	
ELECTRIC CHAIN HOIST						
WORK NO	WORK NAME				SCALE	Q' TY
	LK-DHDBM-1.9S				N S	1
DRAWN	CHECKED	REVIEWED	APPROVED	DRAWING NO		
김창기				CORD NO		
2010.08.01						
L K HOIST CO., LTD.						

ON 9MD

# L K HOIST

NO	DESCRIPTION	SIZE	MAT' L	Q' TY	WT (kg)	REMARKS



## SPECIFICATION

		LK-DHDBM-1.9S	
RATED LOAD (TON)	1.9		
TESTING LOAD (TON)	2.375		
LIFTING HEIGHT (M)	50		
HOISTING	SPEED (M/MIN)	8.1/2.7	
	MOTOR (KW)	4.4/2.2kw x 2/6p	
TRAVERSING	SPEED (M/MIN)	21	21/7
	MOTOR (KW)	0.75kwx4p-2set	0.4kwx6p-2set
POWER SUPPLY	AC220.380.440.460.480Vx3 $\phi$ x 60 Hz		
OPERATING METHOD	P.B type ON . FL		
LOAD CHAIN	$\phi 11.2 \times 34$ (1FALL)		
WEIGHT (KG)	667		
I-BEAM 적용폭	100 ~ 190MM		

NOTE)

- 1) 점검 설비를 갖출 것
- 2) 인허가 서류를 완성검사시 제출 할 것

적용 I-BEAM)

- 1) 지점간 거리: I-200X100X7/10 - 2.5M
- 2) 지점간거리 : I-250X125X7.5/12.5-4.0M
- 3) 지점간거리 : I-300X150X10/18.5-7.0M
- 4) 지점간거리 : I-450X175X13/26-10M
- 5) 지점간거리 : I-600X190X13/25-15M

REV.NO	DATE	REVISION	DESCRIPTION	DRAWN	CHECKED	APPROVED

TITLE				PROJECTION	
ELECTRIC CHAIN HOIST					
WORK NO	WORK NAME			SCALE	Q' TY
	LK-DHDBM-1.9S			N S	1
DRAWN	CHECKED	REVIEWED	APPROVED	DRAWING NO	CORD NO
김창기					
2010.08.01					

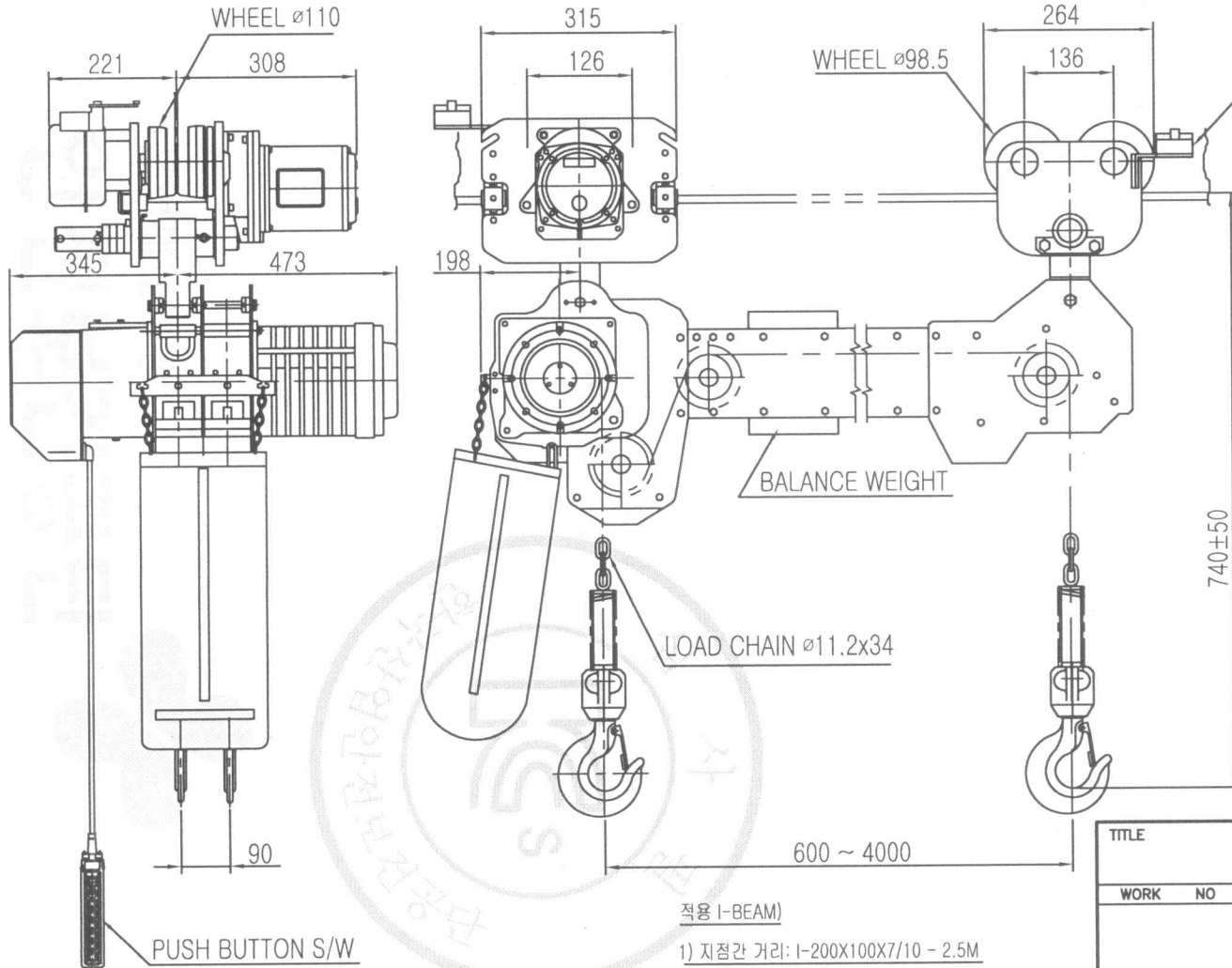


L K HOIST CO., LTD.

ON 5MG

# L K HOIST

NO	DESCRIPTION	SIZE	MAT L	Q' TY	WT (kg)	REMARKS



## SPECIFICATION

		LK-DHDBM-1.9S	
RATED LOAD (TON)		1.9	
TESTING LOAD (TON)		2.375	
LIFTING HEIGHT (M)		50	
HOISTING	SPEED (M/MIN)	8.1/2.7	
	MOTOR (KW)	4.4/2.2kw x 2/6p	
TRAVERSING	SPEED (M/MIN)	21	14
	MOTOR (KW)	0.75kw x 4p	0.4kw x 6p
POWER SUPPLY		AC220.380.440.460.480Vx3φ x 60 Hz	
OPERATING METHOD		P.B type ON . FL	
LOAD CHAIN		φ11.2 X 34 (1FALL)	
WEIGHT (KG)		667	
I-BEAM 적용폭		100 ~ 190MM	

NOTE)  
 1)점검 설비를 갖추실 것  
 2)인허가 서류를 완성검사시 제출 할 것

- 적용 I-BEAM)
- 1) 지점간 거리: I-200X100X7/10 - 2.5M
  - 2) 지점간 거리: I-250X125X7.5/12.5-4.0M
  - 3) 지점간 거리: I-300X150X10/18.5-7.0M
  - 4) 지점간 거리: I-450X175X13/26-10M
  - 5) 지점간 거리: I-600X190X13/25-15M

TITLE				ELECTRIC CHAIN HOIST		PROJECTION	
WORK NO	WORK NAME			SCALE		Q' TY	
	LK-DHDBM-1.9S			N S		1	
DRAWN	CHECKED	REVIEWED	APPROVED	DRAWING NO			
김창기				CORD NO			
2010.08.01							
<b>L K HOIST CO., LTD.</b>							

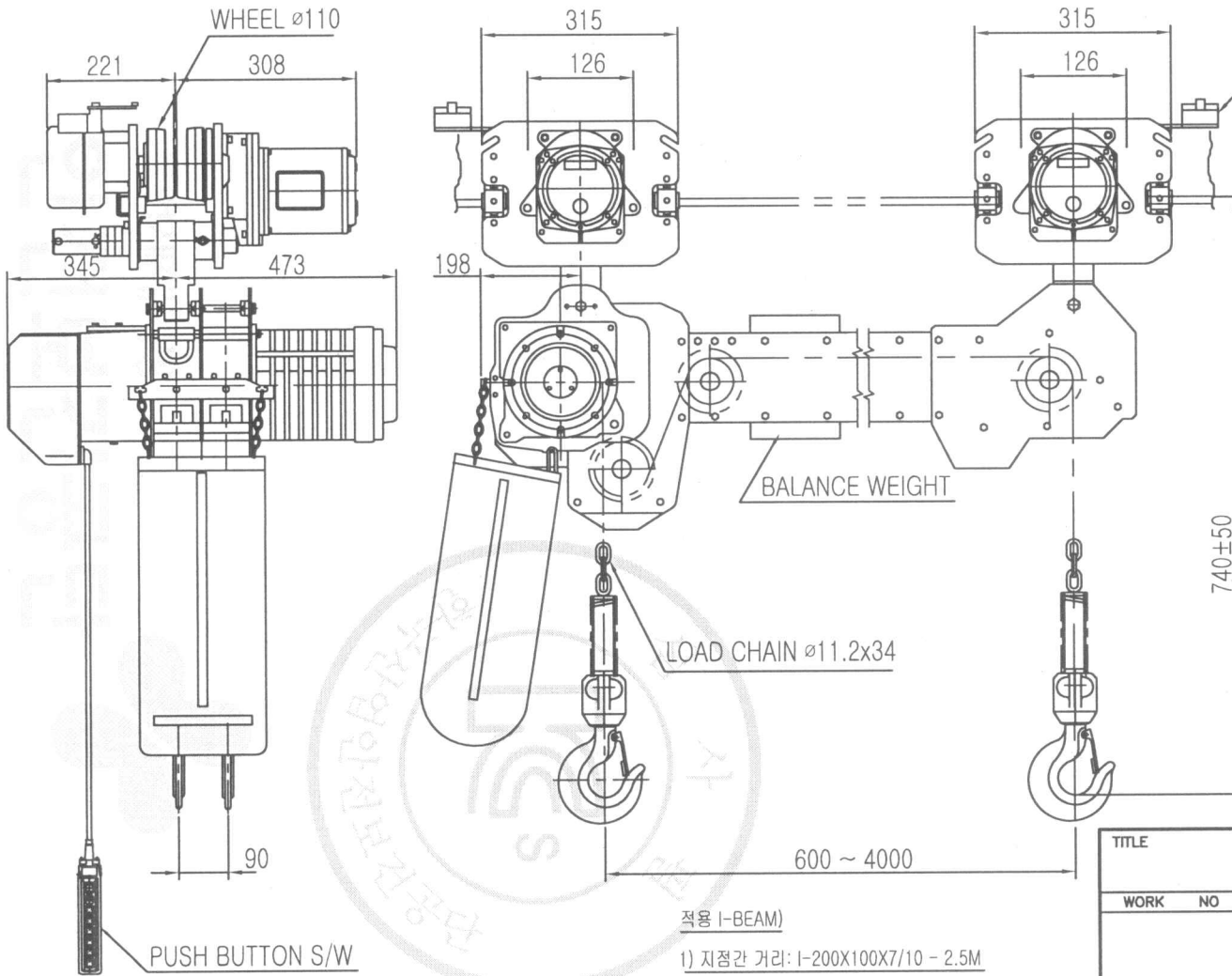
REV.NO	DATE	REVISION	DESCRIPTION	DRAWN	CHECKED	APPROVED

물범보일러 및 배포금지

ON 5MC

# L K HOIST

NO	DESCRIPTION	SIZE	MAT L	Q' TY	WT (kg)	REMARKS



## SPECIFICATION

LK-DHDBM-1.9S	
RATED LOAD (TON)	1.9
TESTING LOAD (TON)	2.375
LIFTING HEIGHT (M)	50
HOISTING SPEED (M/MIN)	8.1/2.7
MOTOR (KW)	4.4/2.2kw x 2/6p
TRAVERSING SPEED (M/MIN)	21 14 21/7
MOTOR (KW)	0.75kwx4p-2set 0.4kwx6p-2set 0.75/0.25kwx4/12p-2set
POWER SUPPLY	AC220.380.440.460.480Vx3φ x 60 Hz
OPERATING METHOD	P.B type ON . FL
LOAD CHAIN	φ11.2 X 34 (1FALL)
WEIGHT (KG)	667
I-BEAM 적용폭	100 ~ 190MM

NOTE)

- 1) 점검 설비를 갖추어 것
- 2) 인허가 서류를 완성경사시 제출 할 것

적용 I-BEAM)

- 1) 지점간 거리 : I-200X100X7/10 - 2.5M
- 2) 지점간거리 : I-250X125X7.5/12.5-4.0M
- 3) 지점간거리 : I-300X150X10/18.5-7.0M
- 4) 지점간거리 : I-450X175X13/26-10M
- 5) 지점간거리 : I-600X190X13/25-15M

TITLE					PROJECTION	
ELECTRIC CHAIN HOIST						
WORK NO	WORK NAME				SCALE	Q' TY
	LK-DHDBM-1.9S				N S	1
DRAWN	CHECKED	REVIEWED	APPROVED	DRAWING NO		
김 창 기						
2010.08.01				CORD NO		

REV.NO	DATE	REVISION	DESCRIPTION	DRAWN	CHECKED	APPROVED

물품번호 및 재료금지